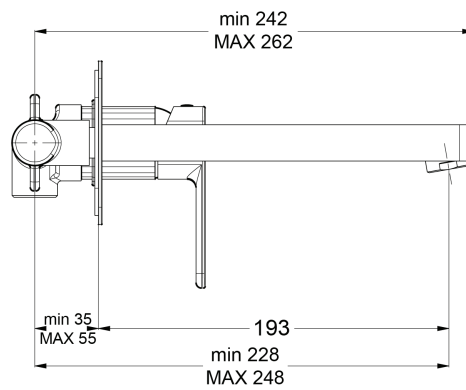
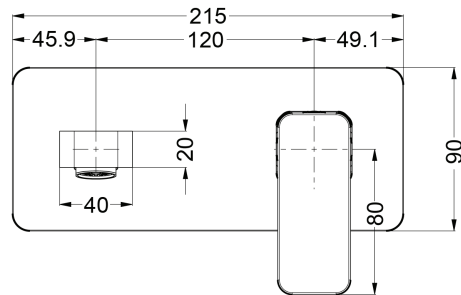


measurements in millimetres (mm)
information updated April 2014

tel | 01322 422767
web | www.crosswater.co.uk
email | technical@crosswater-holdings.co.uk



Basin 2 Hole Set Wall Mounted LP

Deck mounted

AT121WNC

Available in Chrome (C)