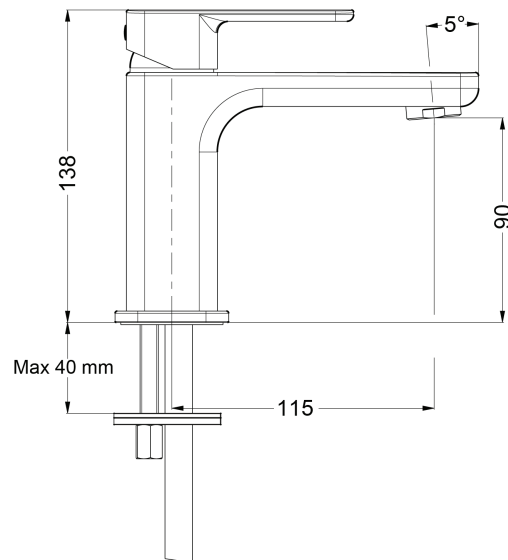


measurements in millimetres (mm)  
information updated April 2014

tel | 01322 422767  
web | [www.crosswater.co.uk](http://www.crosswater.co.uk)  
email | [technical@crosswater-holdings.co.uk](mailto:technical@crosswater-holdings.co.uk)



---

Basin Monobloc no pop up waste LP

---

Deck mounted

---

AT110DNC

---

Available in Chrome (C)