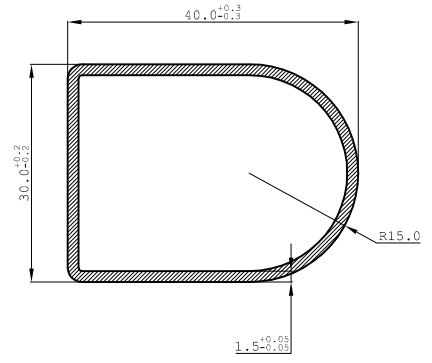
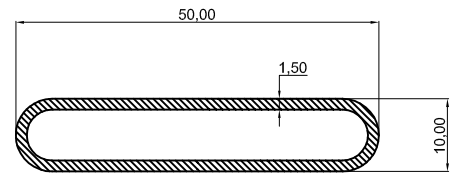


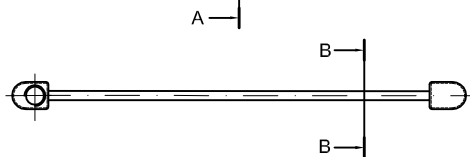
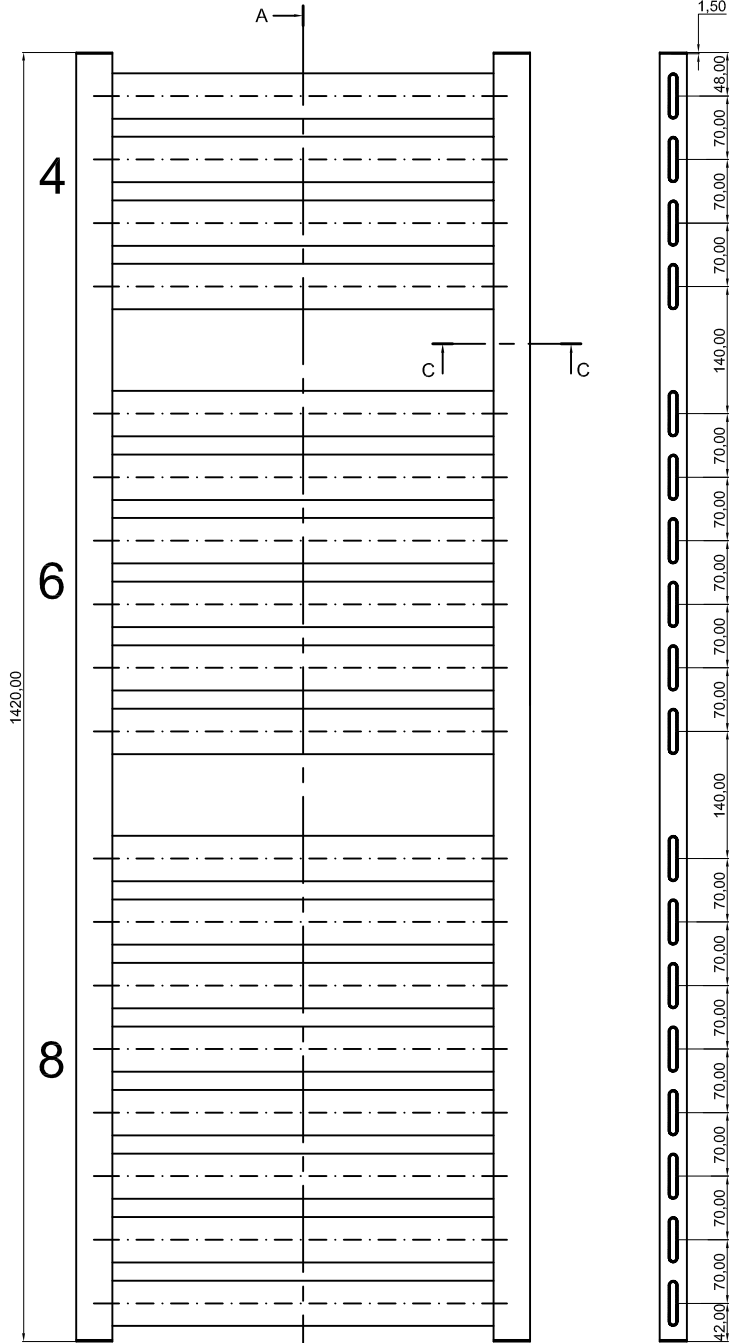
Sec. A-A



Sec. C-C



Sec. B-B



L	I
500	450