

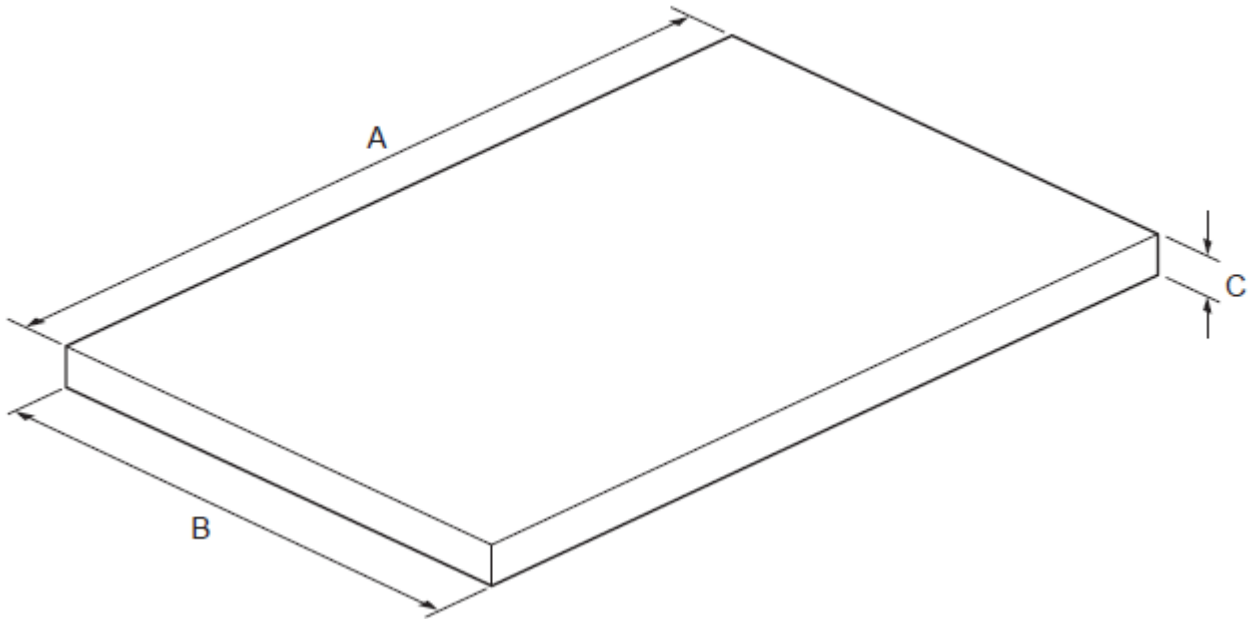
Measurements in millimetres mm

Information updated May 2017

Tel 0345 873 8840

crosswater[™]

TECHNICAL



Code	Description	Finish	A	B	C
			mm	mm	mm
GL5000TMC	Solid Surface Worktop	Veined Carrara Marble Effect	510	455	25
GL7000TMC	Solid Surface Worktop	Veined Carrara Marble Effect	710	455	25
GL1000TMC	Solid Surface Worktop	Veined Carrara Marble Effect	1010	455	25

bauhaus[™]

GLIDE II SOLID SURFACE WORKTOPS

Undrilled