

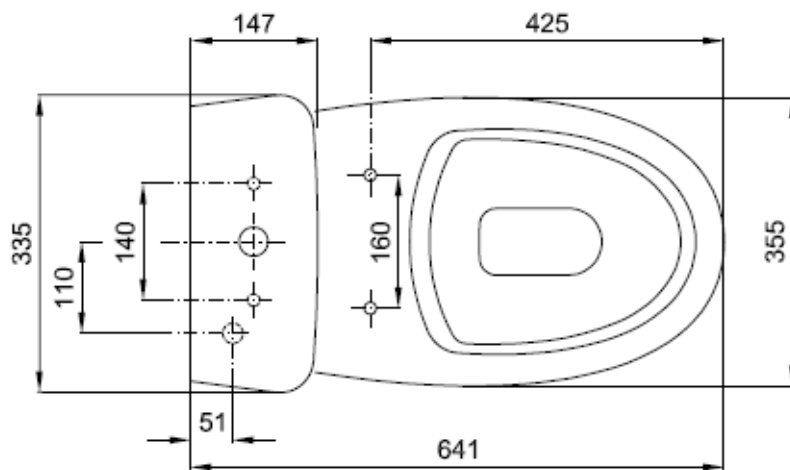
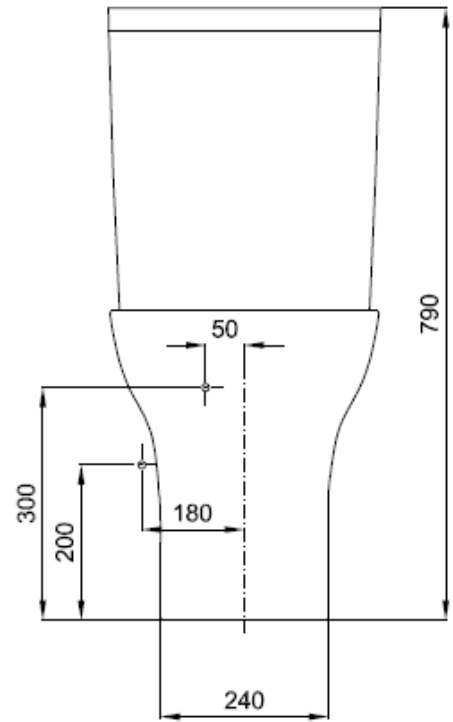
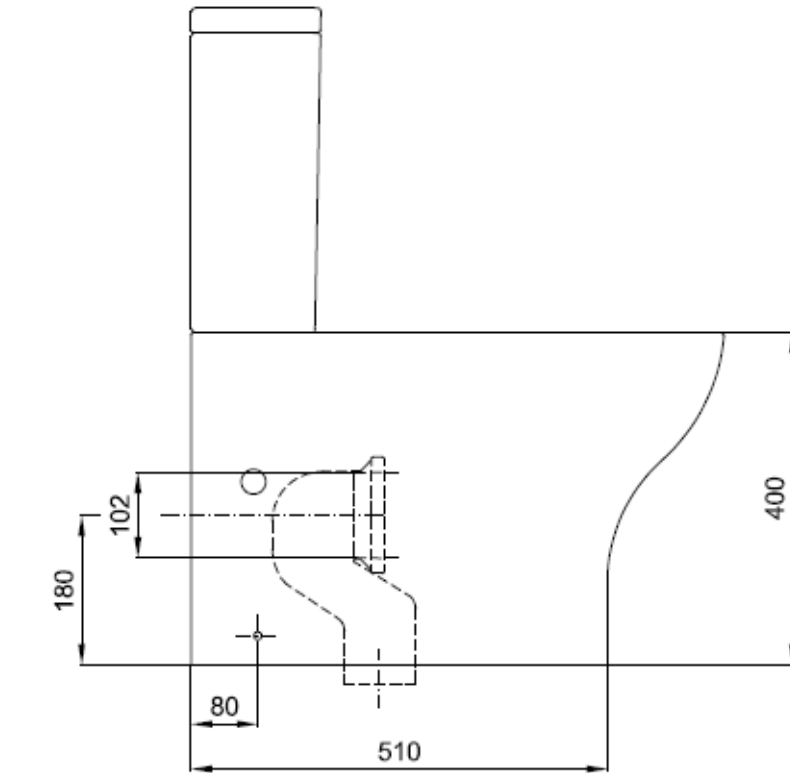
Measurements in millimetres mm

Information updated July 2020

Tel 0345 873 8840

crosswater[™]

TECHNICAL



KAI CLOSE COUPLED WC

FULL BACK TO WALL

WRAS APPROVED

KL6005CW- WC

KL70005+CW—CISTERN AND MECHANISM

Requires Seat KL6105W

WC 26.5Kgs

Cistern 11.5Kgs

Sizes detailed could have a variation of about +/-5 % due to the changes to material characteristics during the firing processes.

Vitreous china