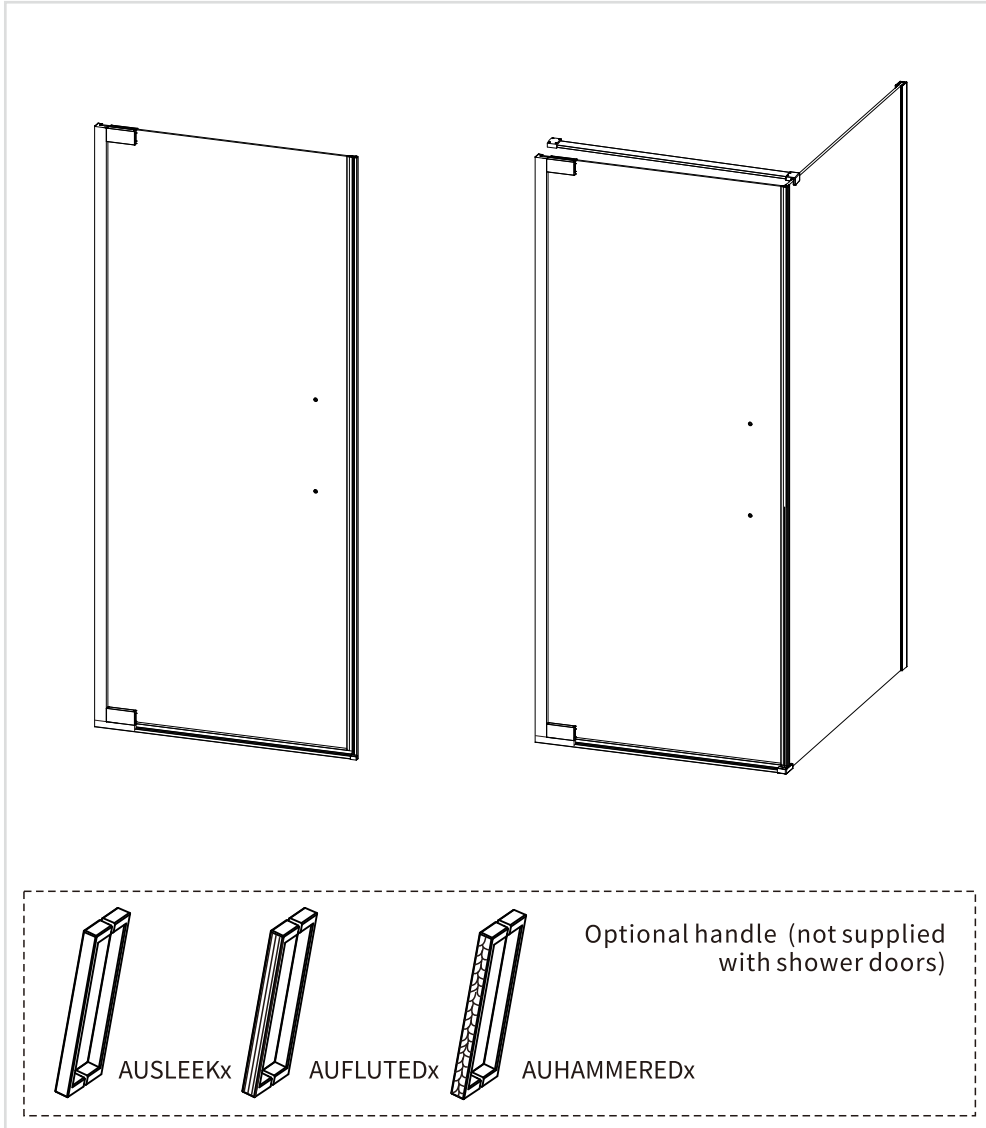


ASURA

Hinged Door & Side Panel



PRODUCT CODES:

- AUHDBC0900 AUHDSDBC0900
- AUHDC0900 AUHDSPTC0900
- AUHDVC0900 AUHDSVPC0900
- AUHDFC0900 AUHDSDFC0900
- AUHDBZC0900 AUHDSDBZC0900
- AUHDC0900 AUHDSPTC0900
- AUHDBC0800 AUHDSDBC0800
- AUHDC0800 AUHDSPTC0800
- AUHDVC0800 AUHDSVPC0800
- AUHDFC0800 AUHDSDFC0800
- AUHDBZC0800 AUHDSDBZC0800
- AUHDC0800 AUHDSPTC0800
- AUHDBC1000
- AUHDC1000
- AUHDVC1000
- AUHDFC1000
- AUHDBZC1000
- AUHDC1000



IMPORTANT INFORMATION

Please read carefully and keep this information for further reference.

BEFORE STARTING THE INSTALLATION ENSURE ALL THE DOOR SIZE MEASUREMENTS CORRESPOND WITH THE INSTALLATION AREA INCLUDING THE FINISHED TILED/PANELLED WALLS. RETURNS DUE TO INCORRECT SIZING WILL NOT BE ACCEPTED.

Check the contents of the pack carefully before installation. Crosswater will not be held responsible for any de-fit / re-fit costs where faulty product has been fitted. If any fault is found with materials or workmanship, it must be reported immediately to the manufacturer. Remedial action will be taken, based on information received, on condition that:

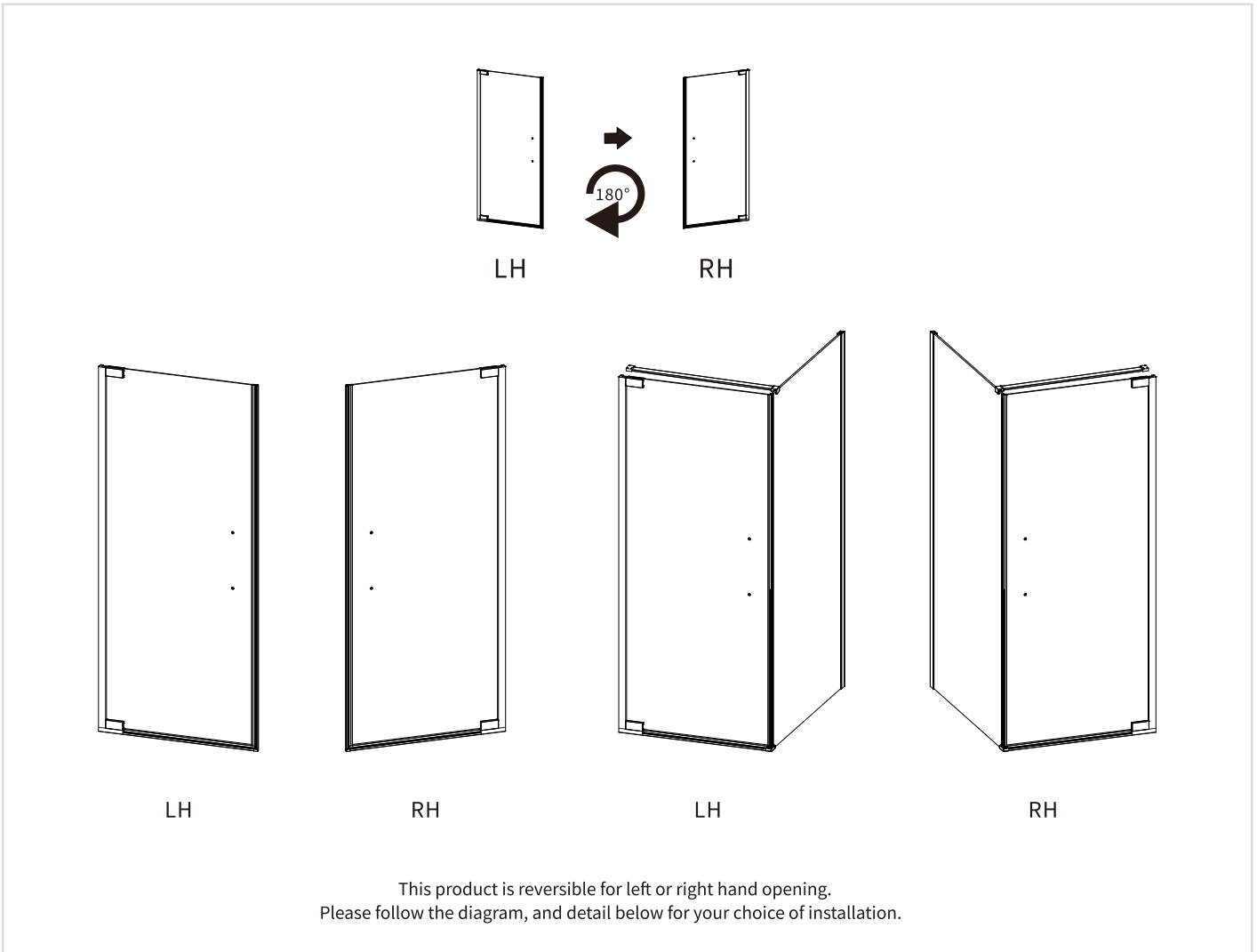
1.Full details are supplied to the manufacturer;

- 2.The enclosure has not been modified or tampered with;
- 3.The manufacturer is informed of any damage/shortages prior to installation.

VERY IMPORTANT

You must complete all tiling and grouting, and the shower tray **MUST** be level and fully sealed to the tiles before installation. If you do not fit the enclosure onto a tiled surface, or seal the tiles to the tray before installation, water may soak into the wall behind the wall profiles.

ORIENTATION



IMPORTANT INFORMATION

Please read carefully and keep this information for further reference.

The installation instructions are based on typical use and conditions. All doors are designed to open outwards only. These hints have been prepared for your guidance, you must exercise due care at all times. For Health and Safety 2 people must carry out the installation of this shower enclosure. Handle glass with care. Although the glass supplied is toughened safety glass (EN12150), impacts can damage both the glass and the frame.

BEFORE YOU START

Warning!




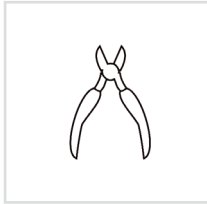
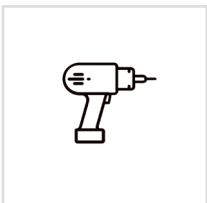
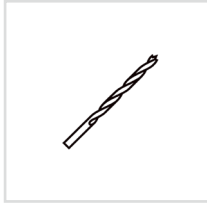
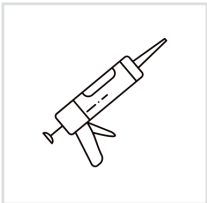


Please check for any hidden pipes or cables before drilling holes in the wall.

When using power tools always follow the manufacturers user instructions.

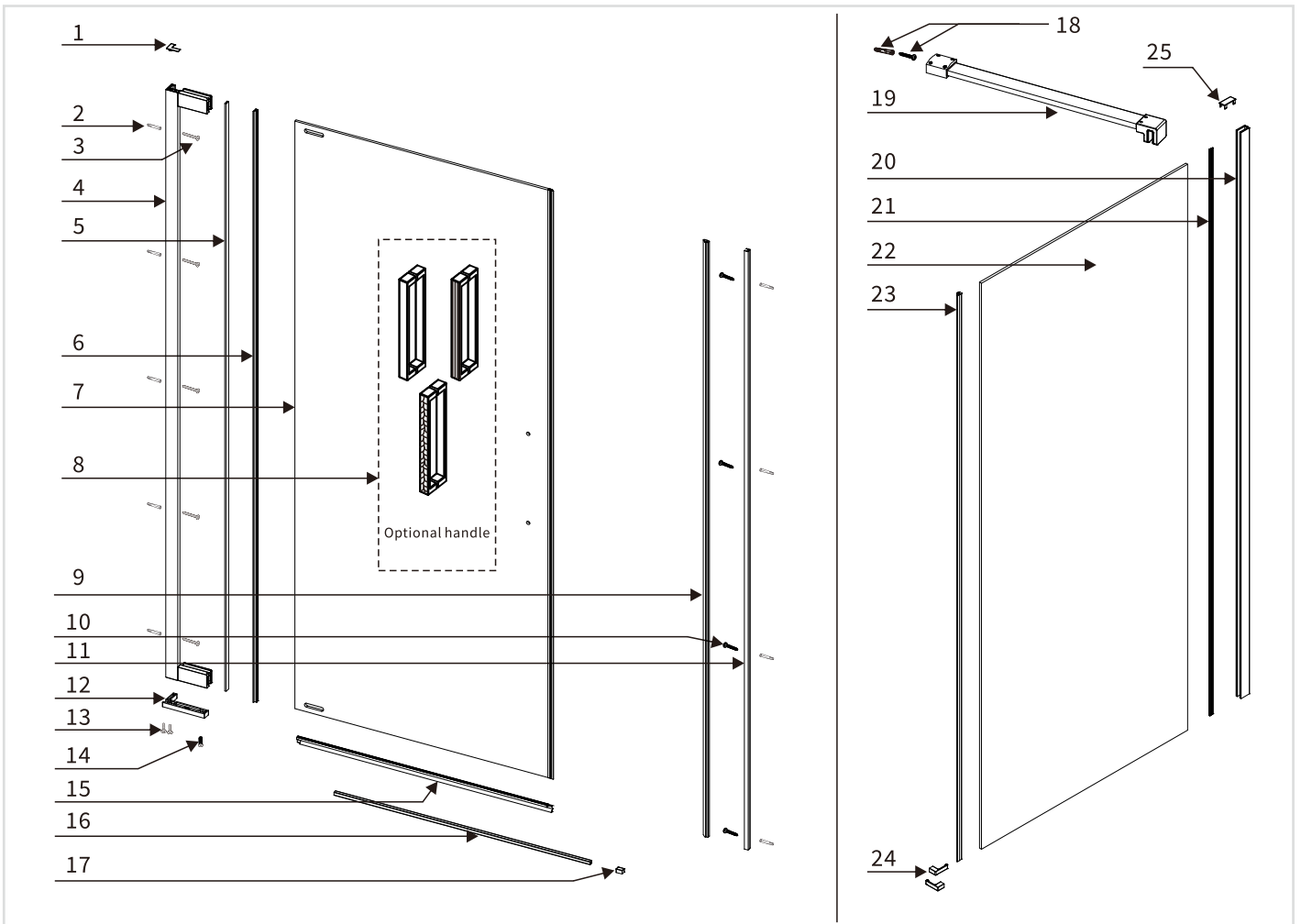
If the Framework is sealed to the tray on the inside, any water that may get into the framework will not be able to drain back into the tray, this may cause the enclosure to leak.








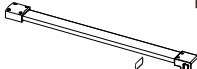
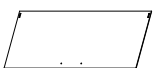


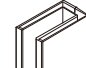









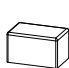


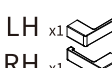

Leave the silicone sealant to dry for 24 hours before using the enclosure.

Tools Required (not supplied):

Spirit Level		Torque Screw Driver	
Pencil		Snips	
Drill		6mm Drill Bit	
Silicone		Measuring Tape	
Knife			

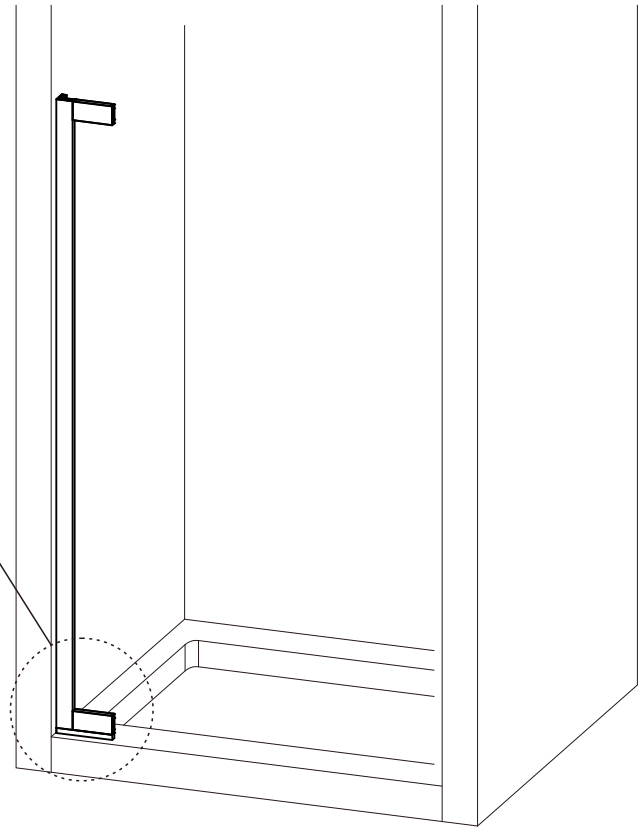
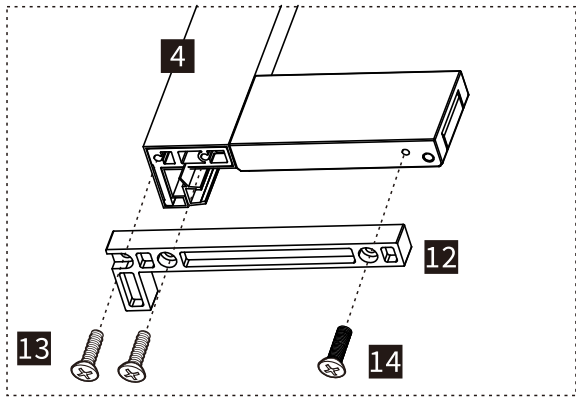
COMPONENTS



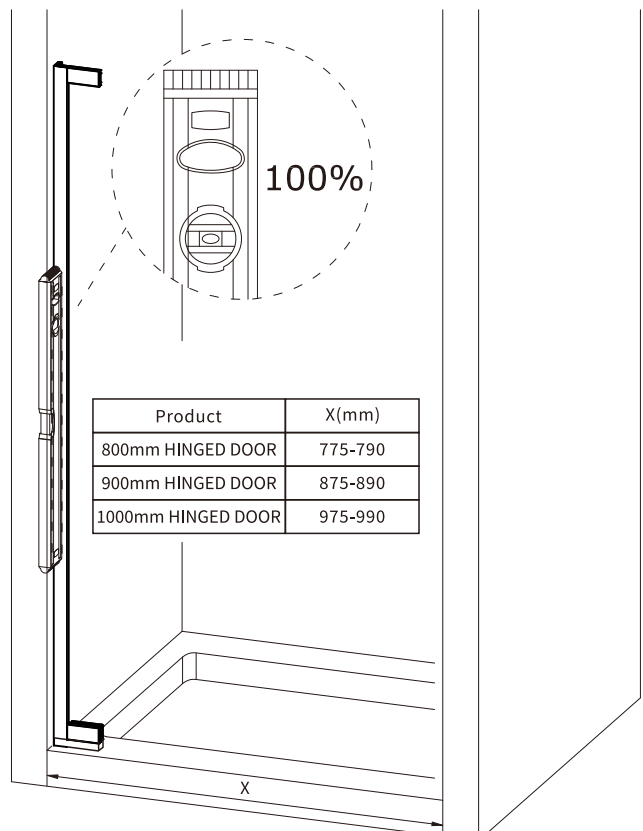
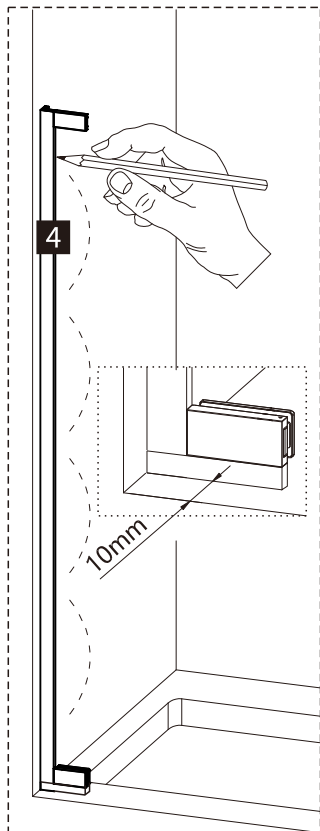
1	 Wall profile cap L x1 R x1	2	 Wall Plug x9	3	 ST4x35mm Screw x5	18	 Wall plug ST5x50mm Screw x1
4	 Wall Profile x1	5	 Profile cover x1	6	 Vertical Door Seal x1	19	 Bracing Bar x1
7	 Moving Panel x1	8	 Optional handle (not supplied with shower door) x1	9	 Profile Magnetic Seal x1	20	 Wall profile x1
10	 ST4x50mm Screw x4	11	 Wall profile x1	12	 Hinge Seat x1	21	 Wedge Seal x1
13	 ST4x20mm Screw x2	14	 M4x20mm Screw x1	15	 Bottom Seal x1	22	 Side Panel x1
16	 Bottom Profile x1	17	 Bottom connector x1	26	 Allen Key 2.5mm x1 3mm x1 4mm x1	23	 Side Panel Magnetic Seal x1
						24	 LH x1 RH x1 Bottom connector
						25	 Wall profile cap x1

INSTALLATION

1



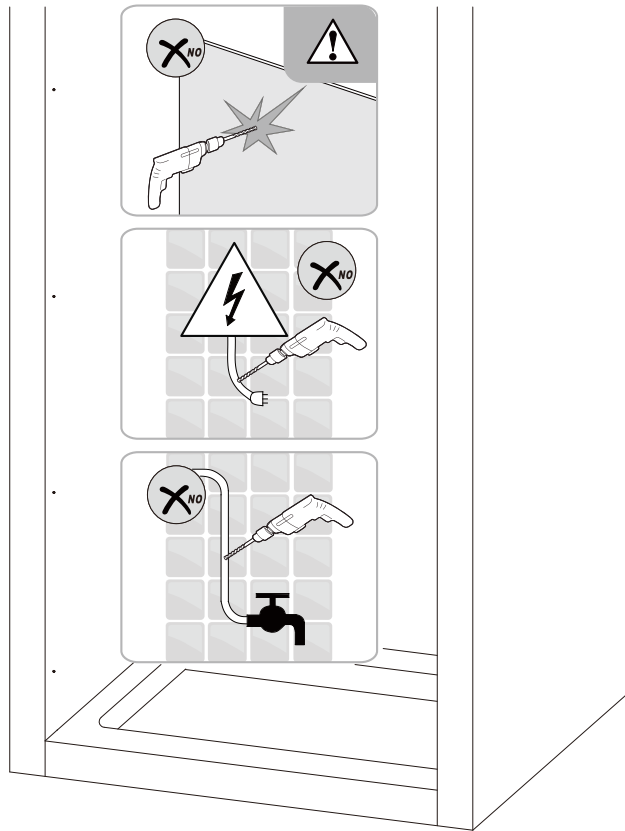
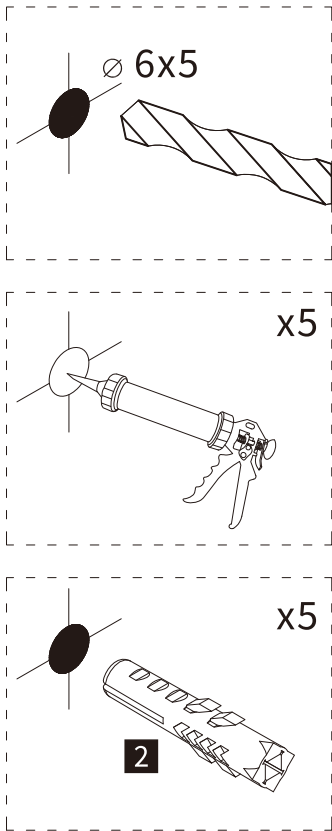
2



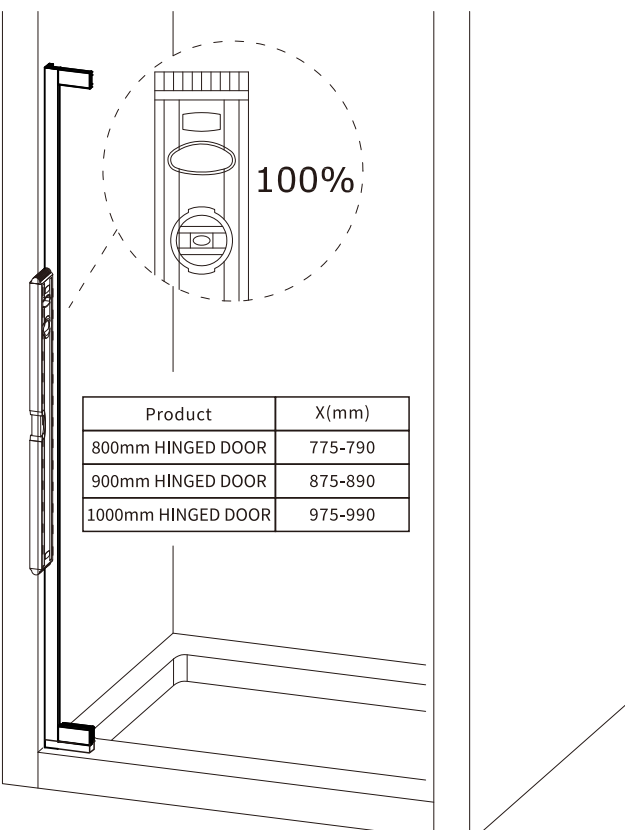
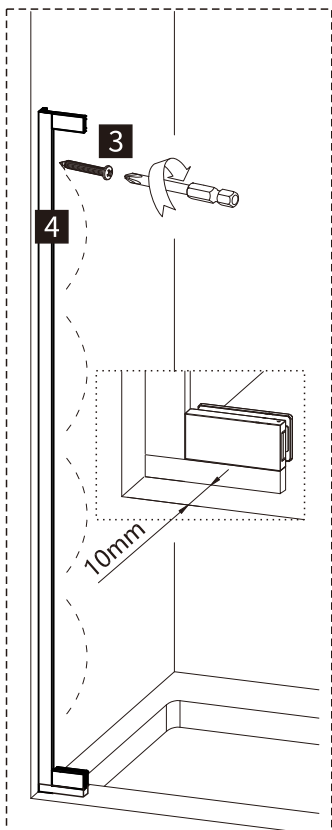
Product	X(mm)
800mm HINGED DOOR	775-790
900mm HINGED DOOR	875-890
1000mm HINGED DOOR	975-990

INSTALLATION

3

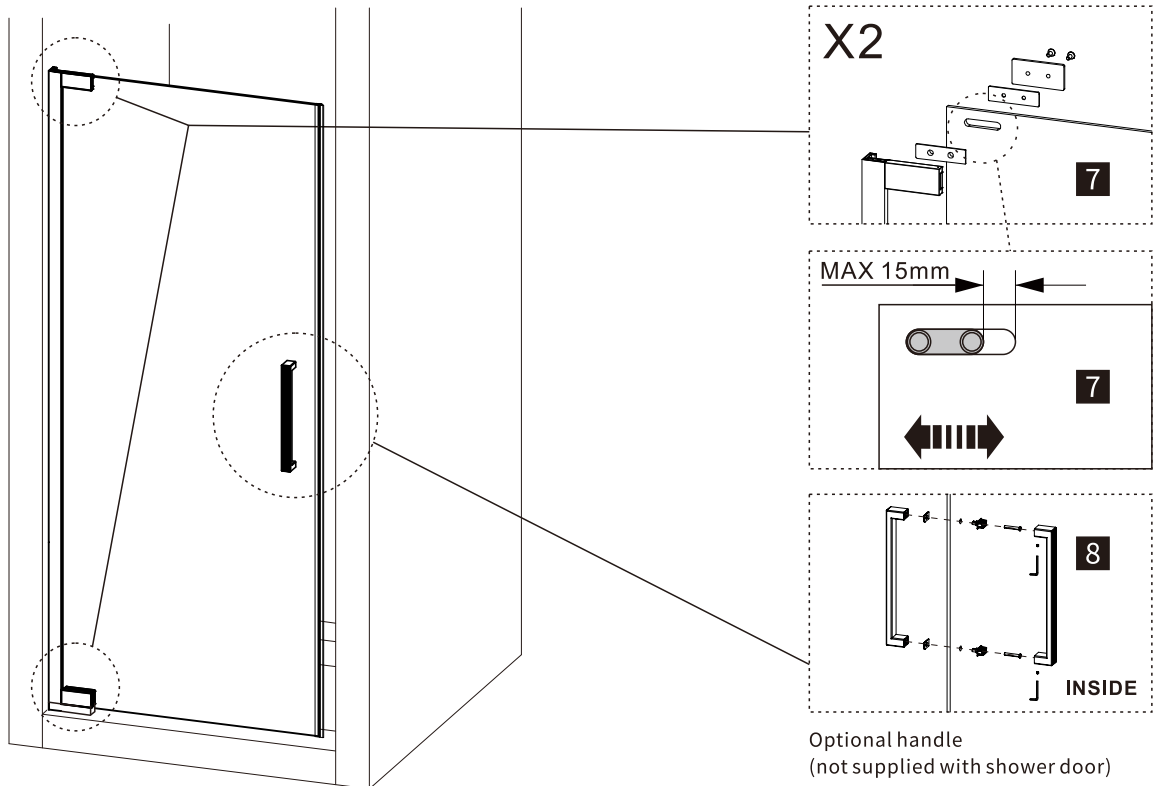


4

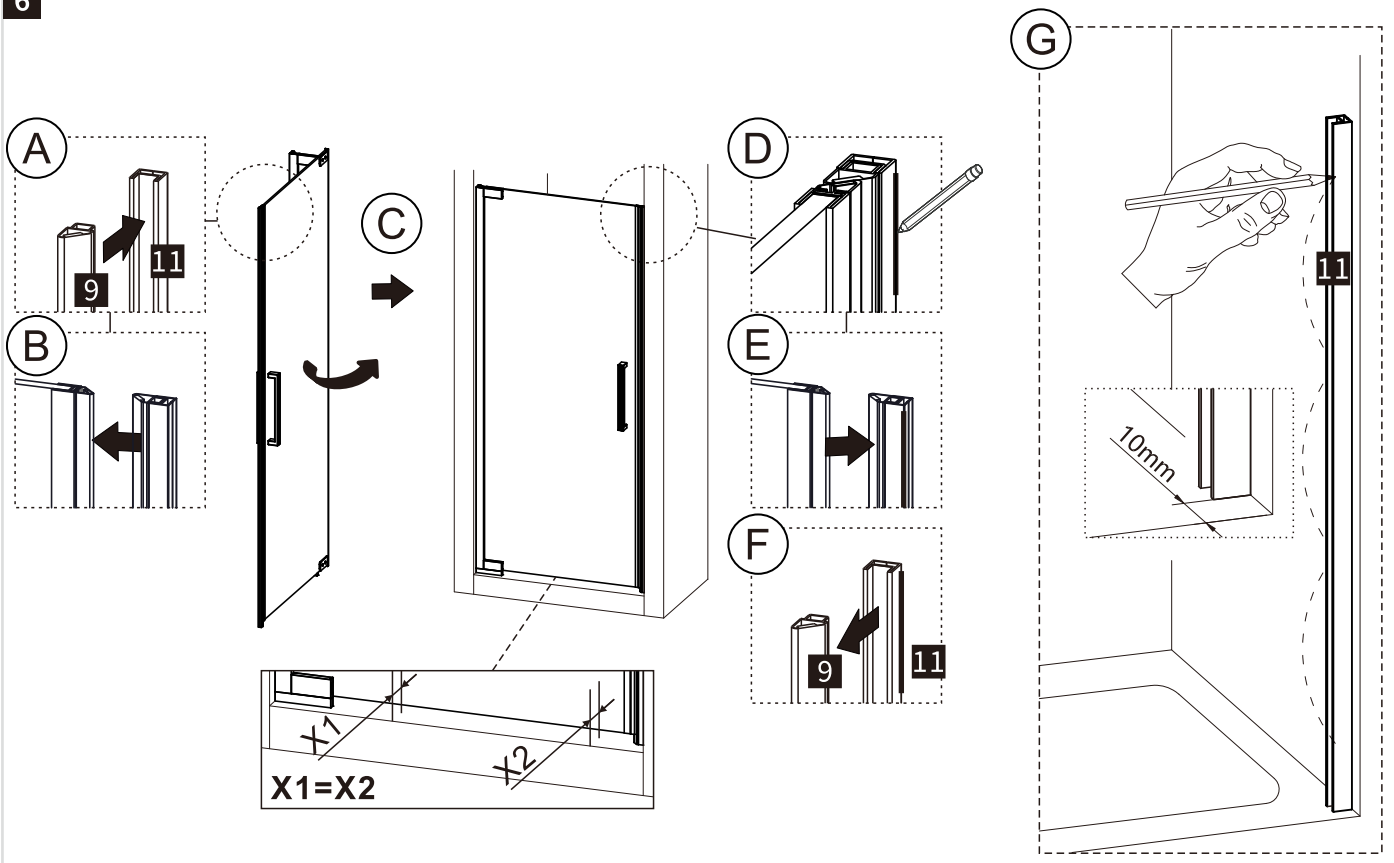


INSTALLATION

5

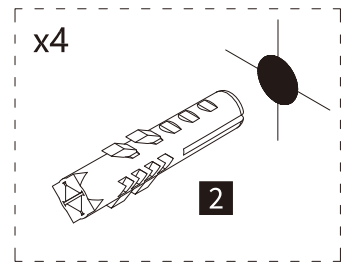
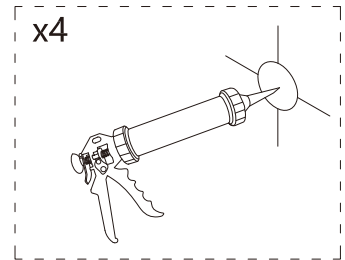
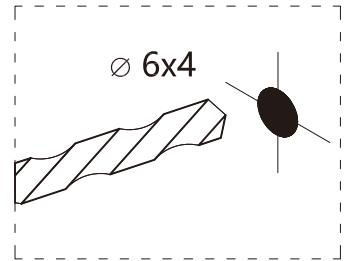
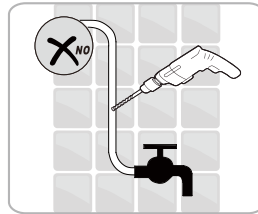
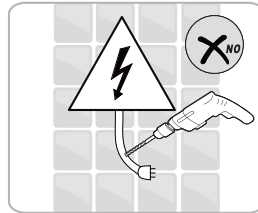
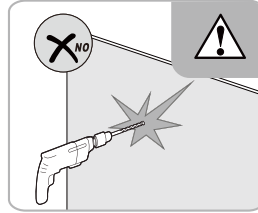
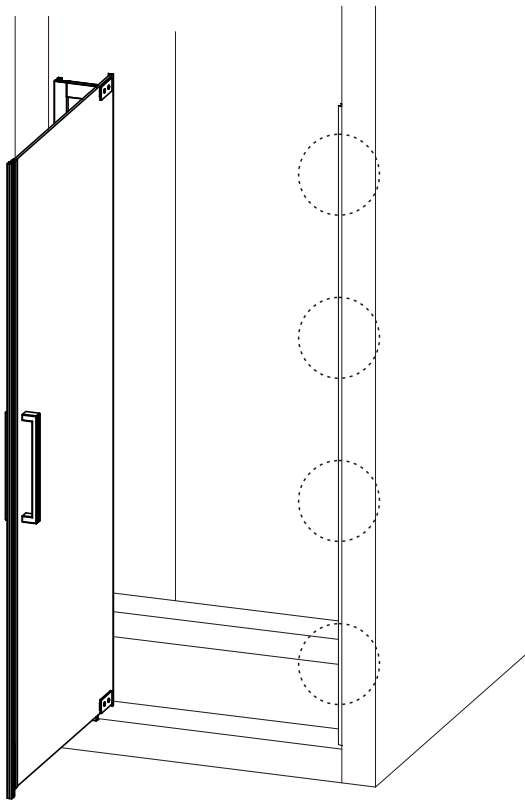


6

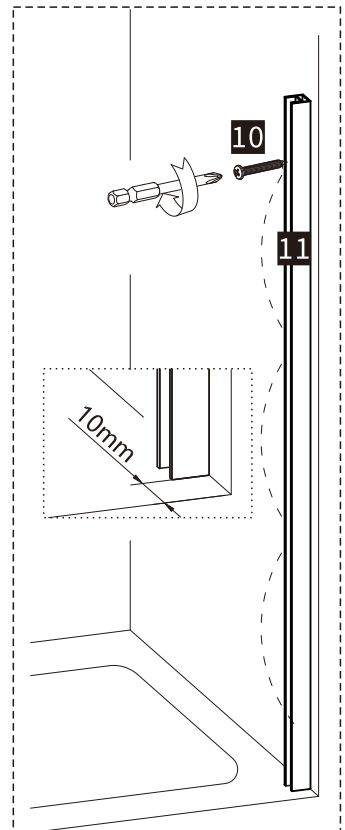
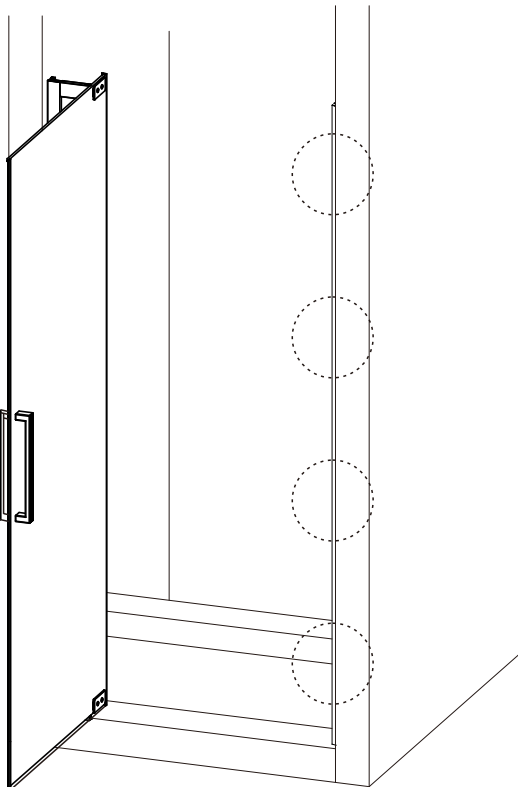


INSTALLATION

7

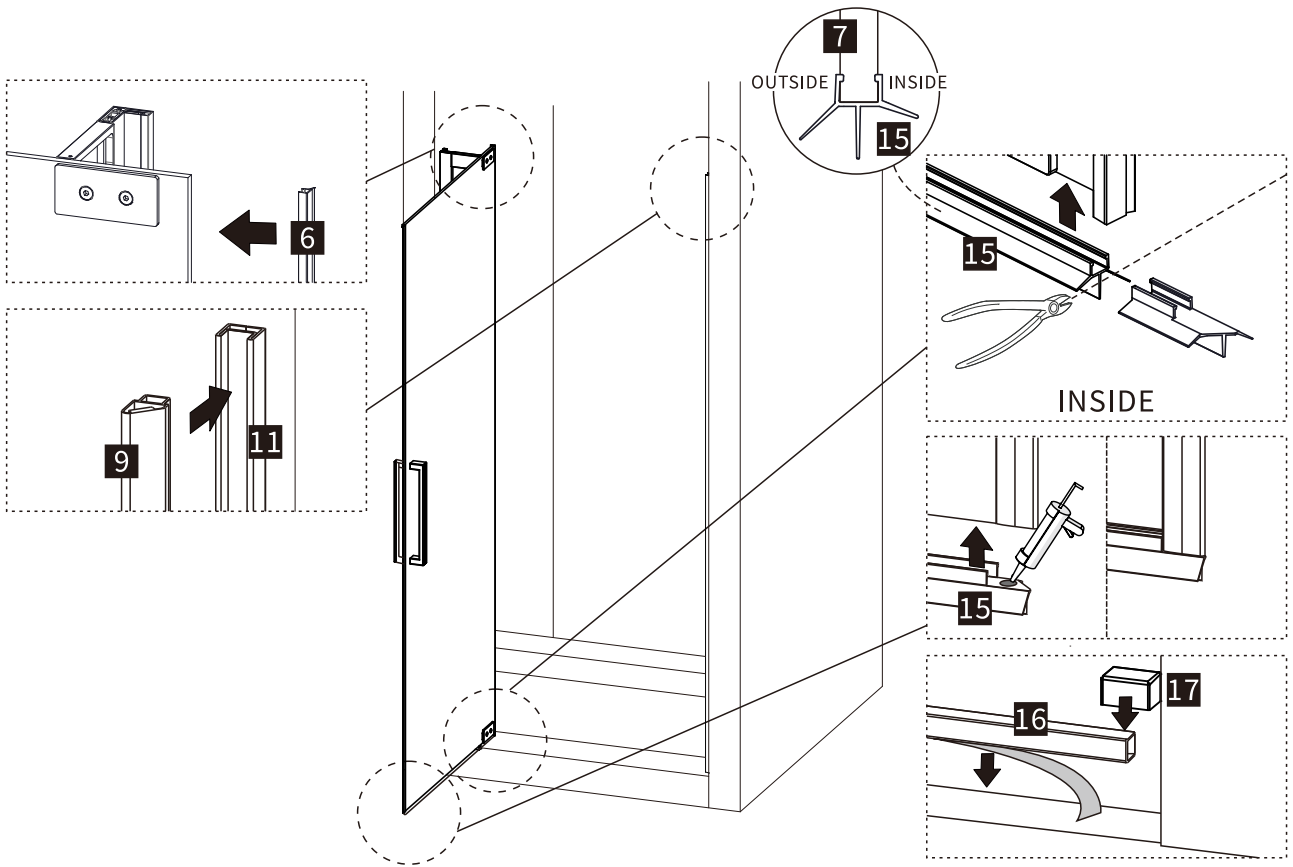


8

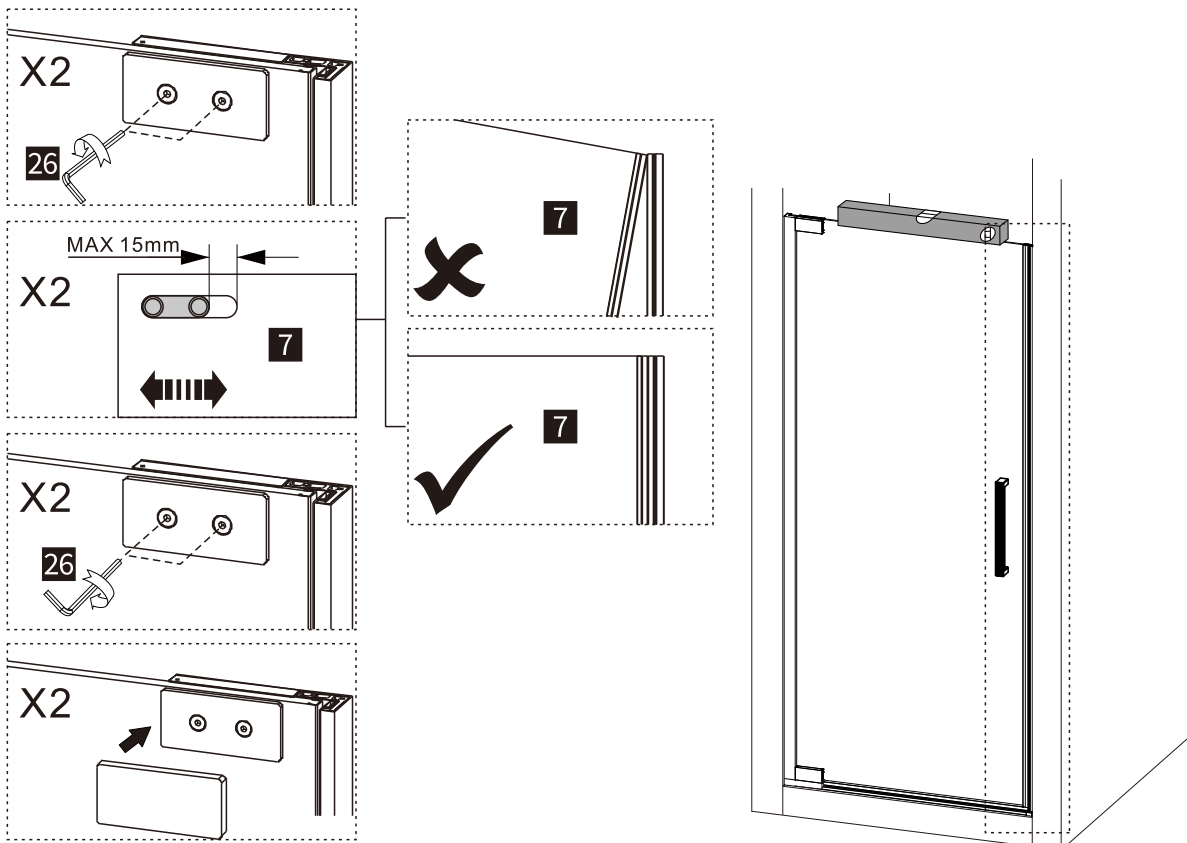


INSTALLATION

9

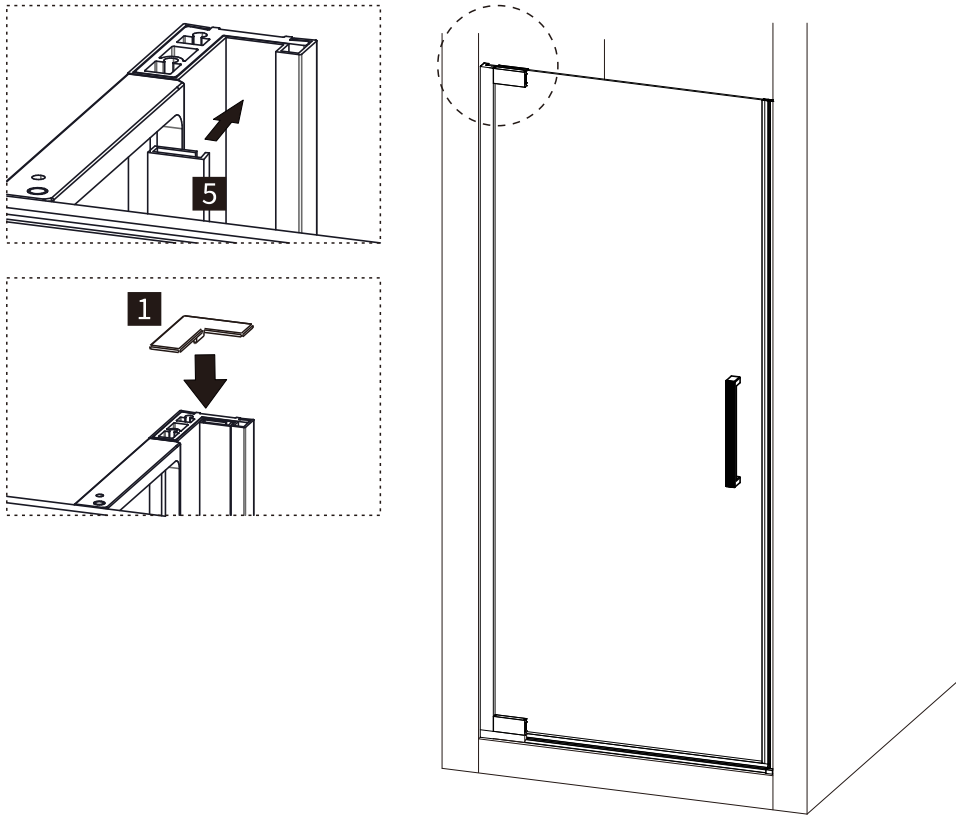


10

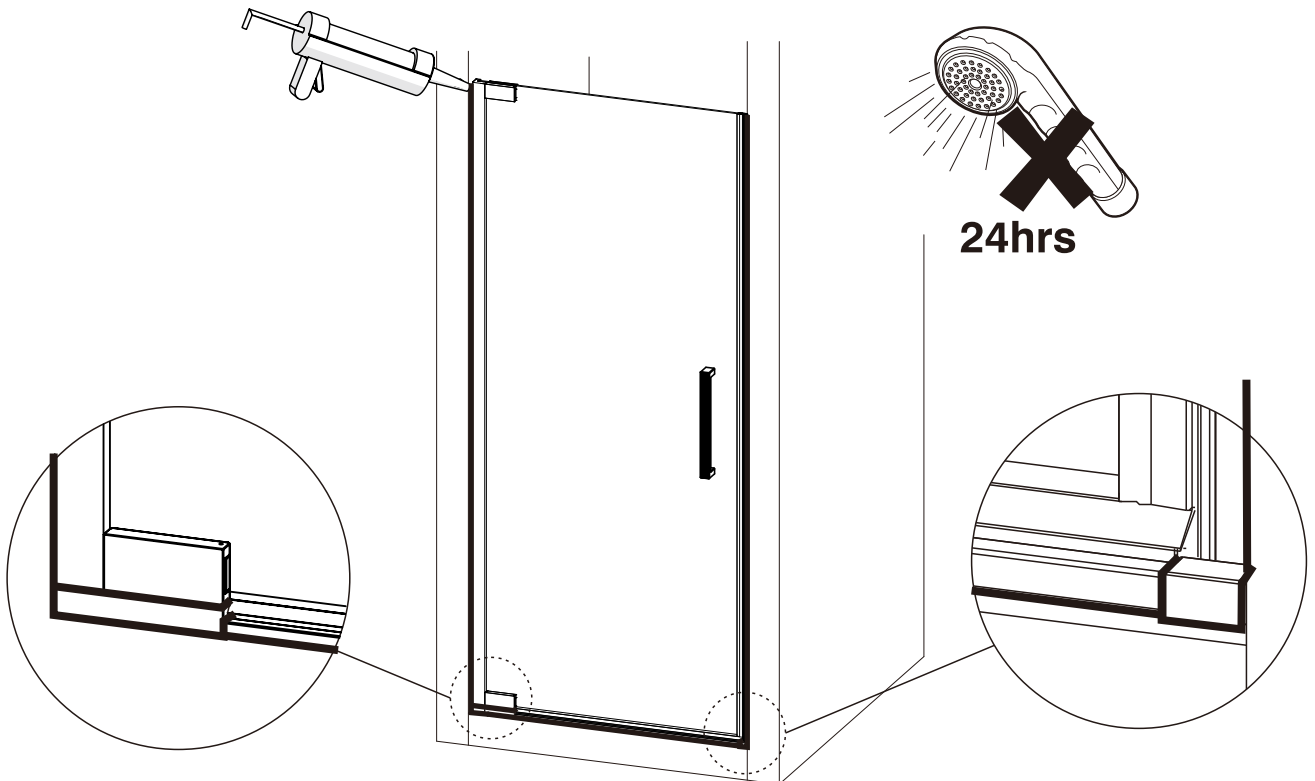


INSTALLATION

11

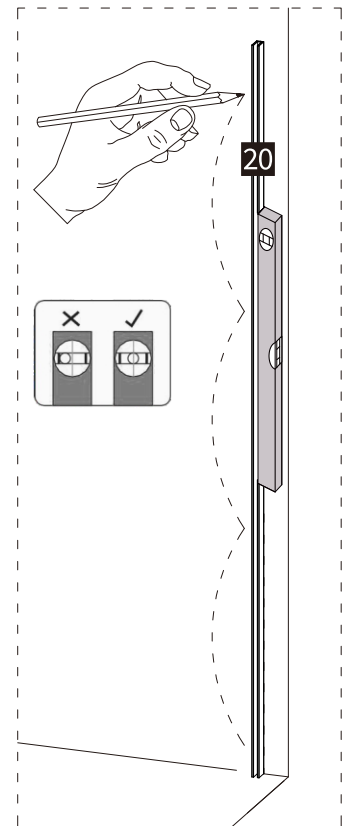
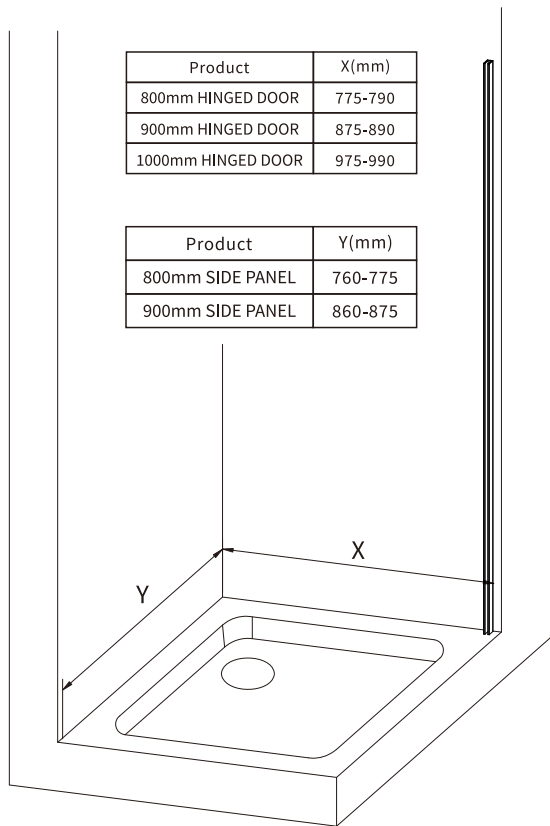


12

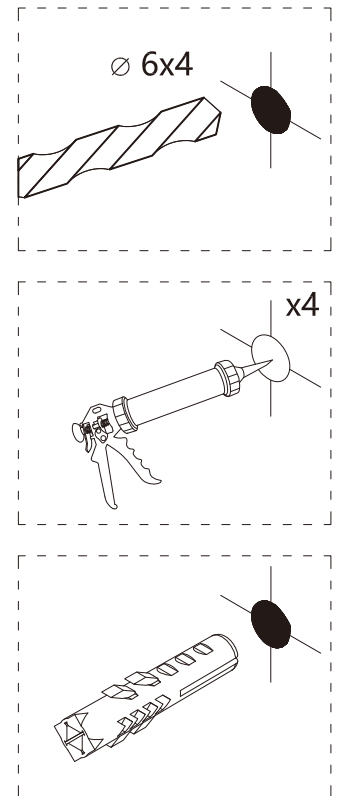
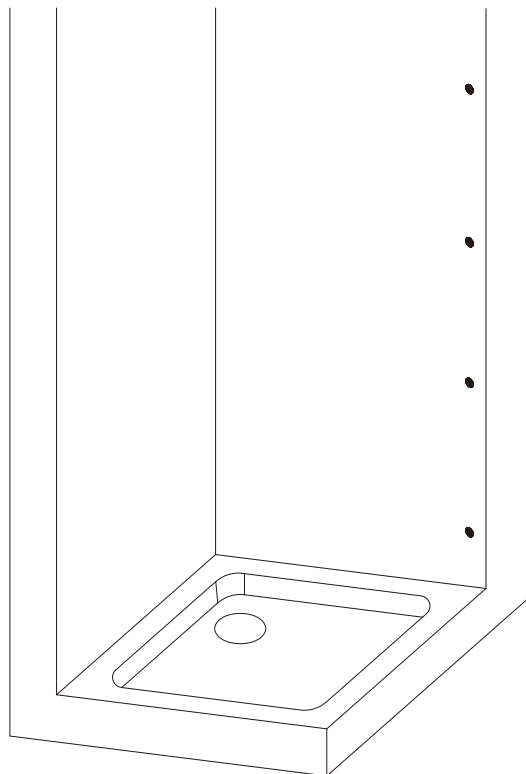
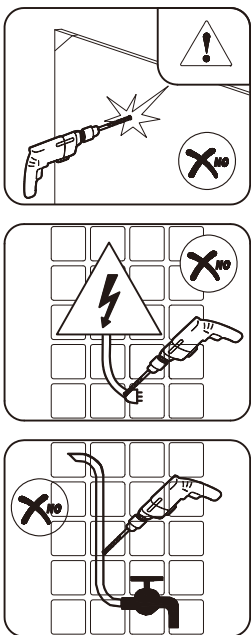


INSTALLATION

13

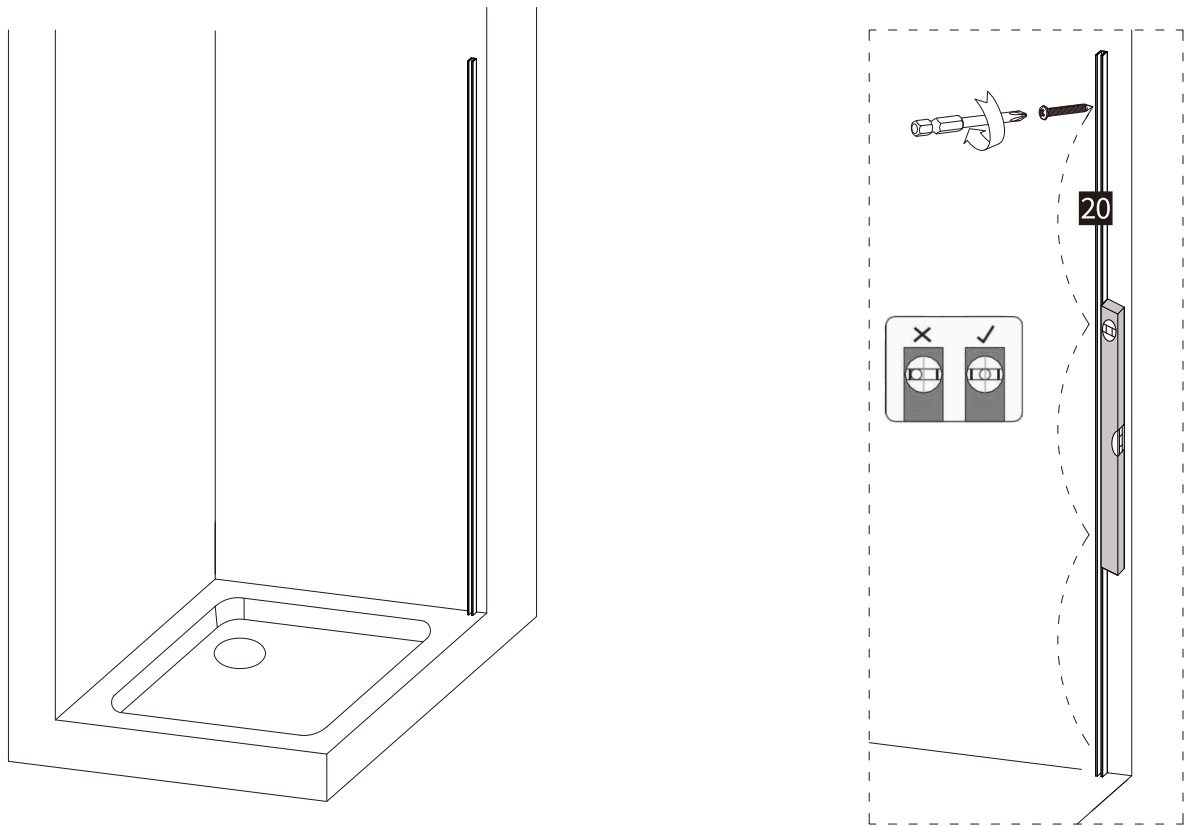


14

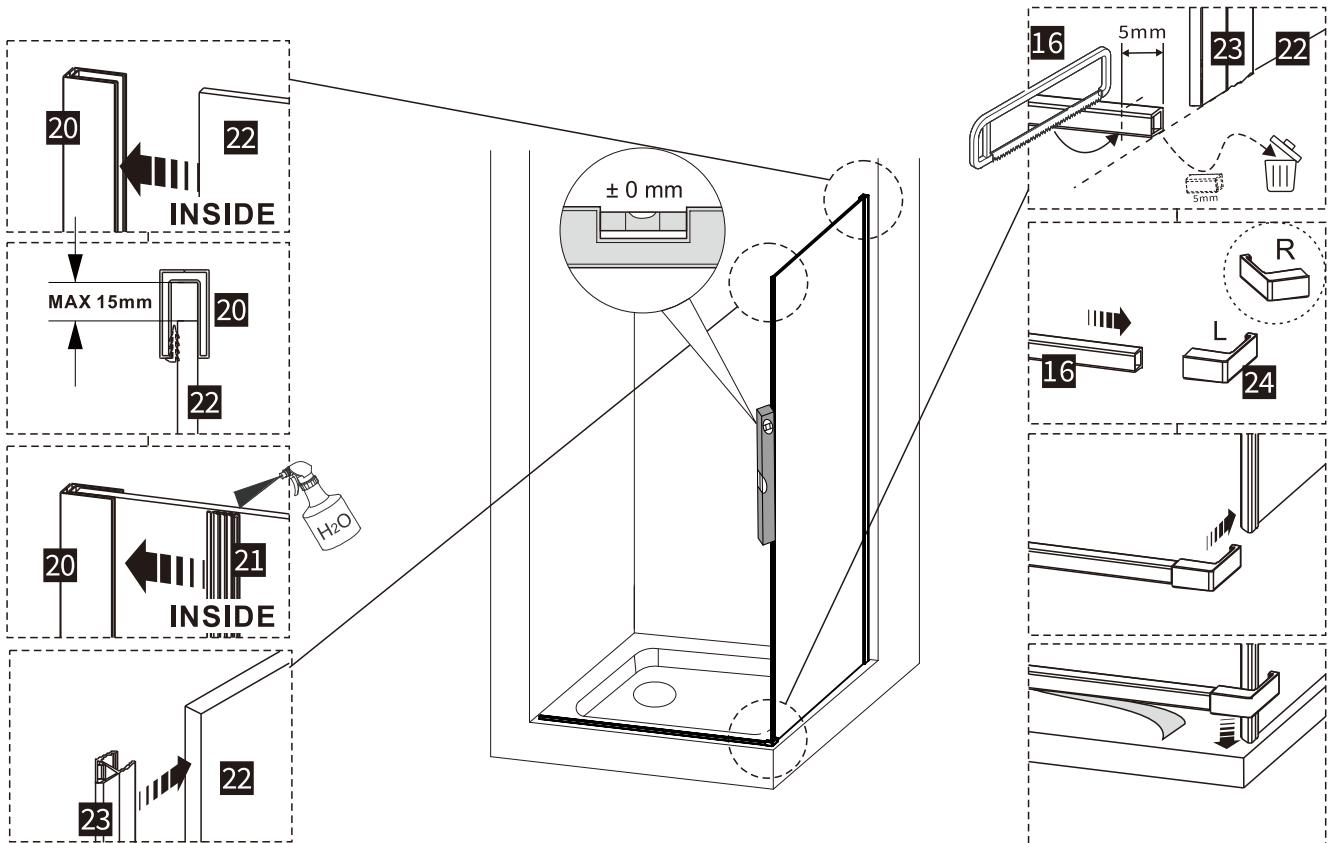


INSTALLATION

15

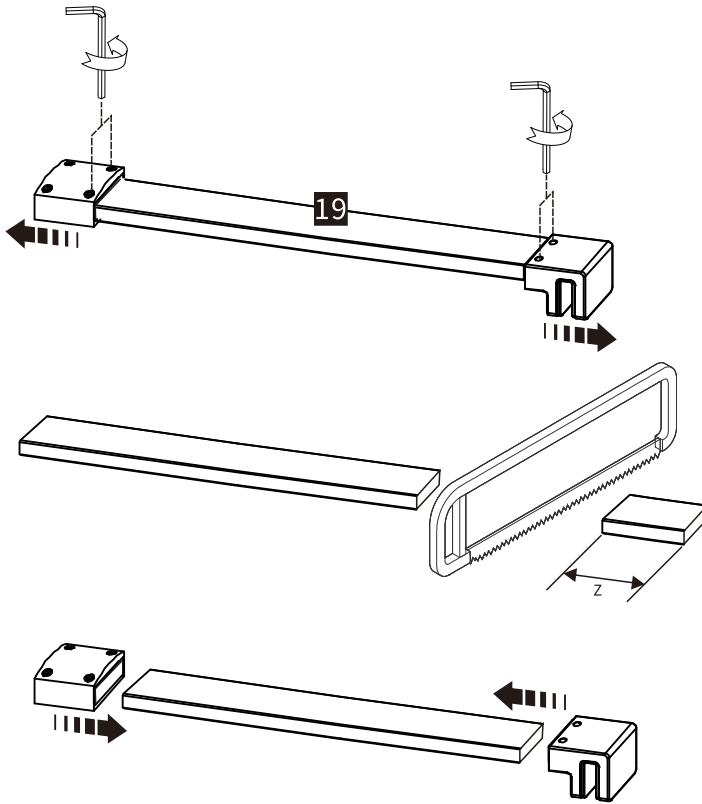


16



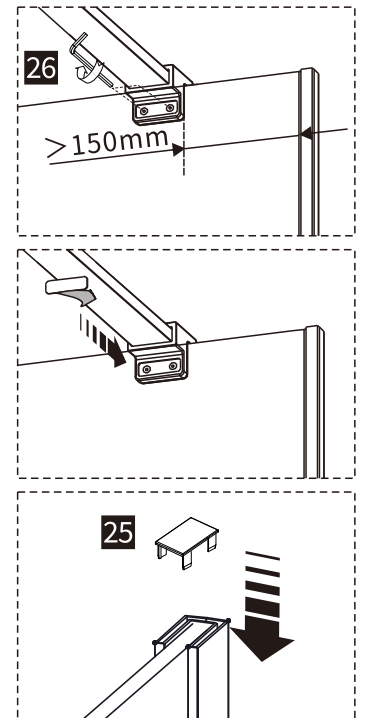
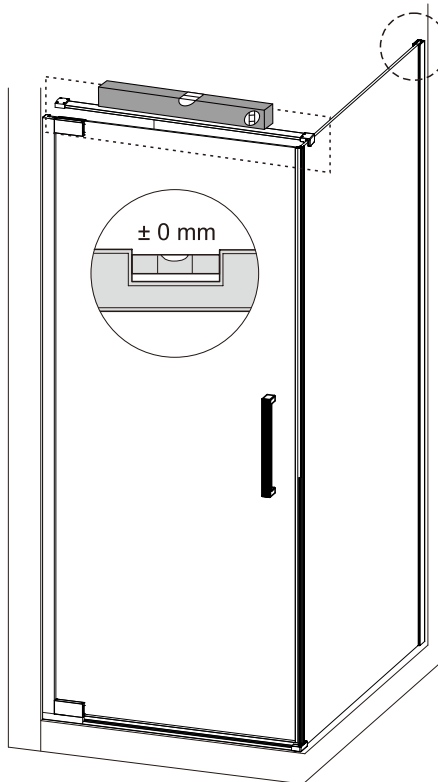
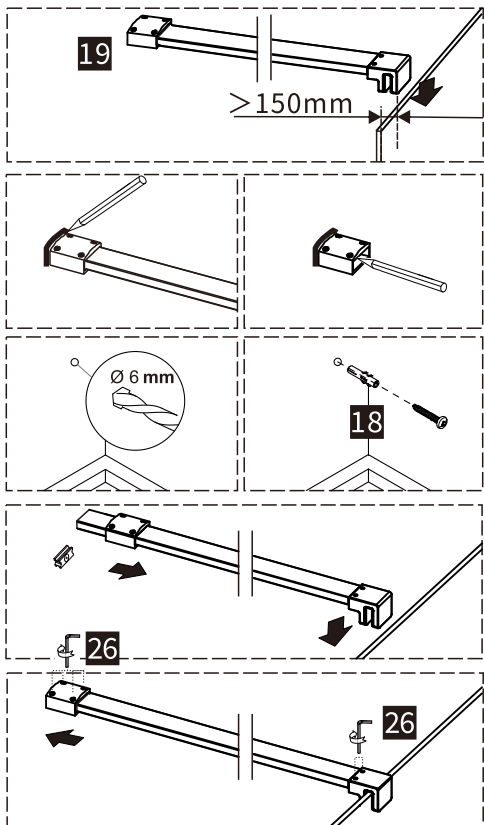
INSTALLATION

17



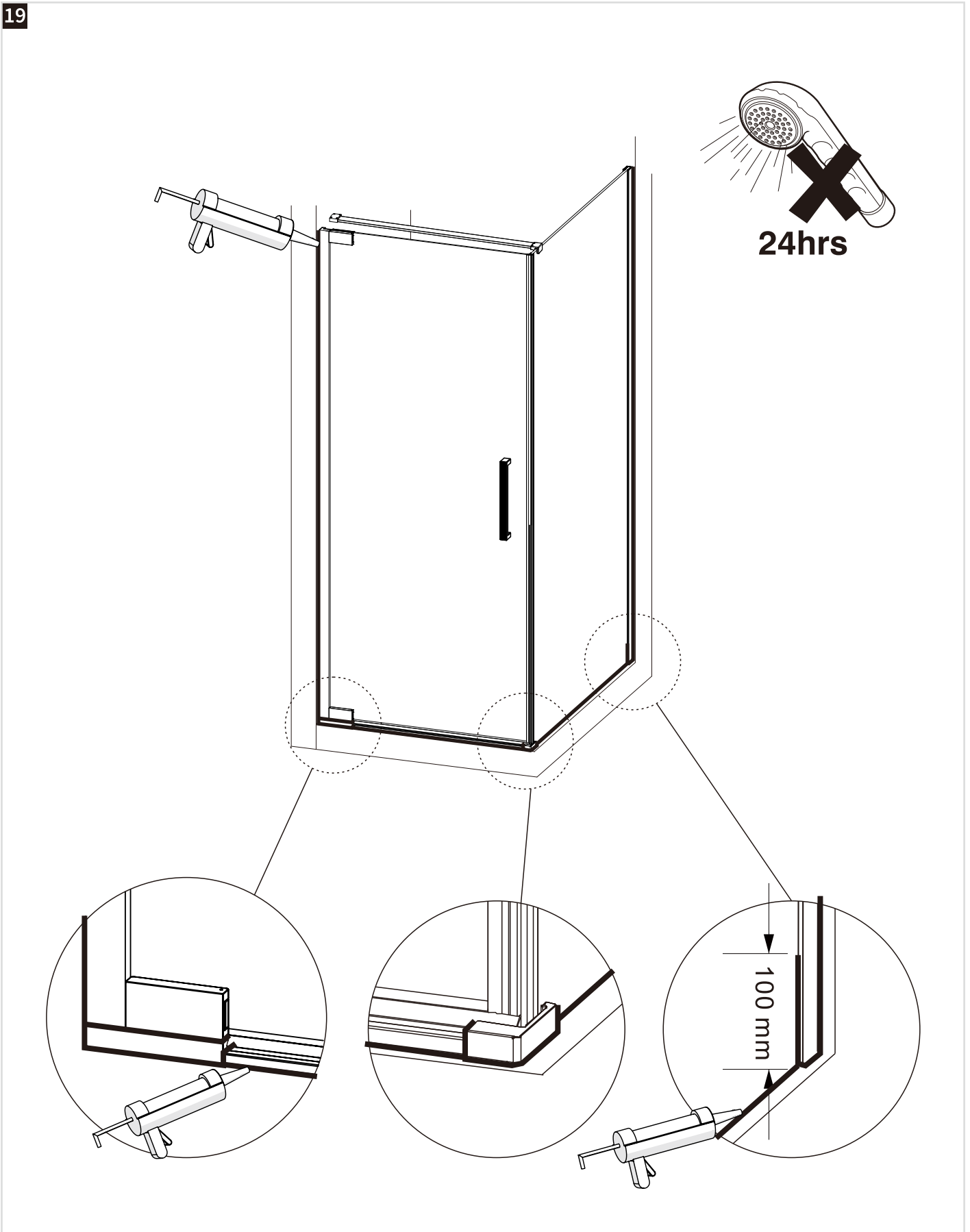
Product	Z(mm)
800mm HINGED DOOR	200
900mm HINGED DOOR	100
1000mm HINGED DOOR	0

18



INSTALLATION

19



CARE & MAINTENANCE

Do not use solvents or abrasive materials or chemicals to clean shower doors.

PH < 6.8, PH > 7.2

Only use soapy water and soft cloth, rinse thoroughly afterwards.

PH = 6.8 - 7.2

