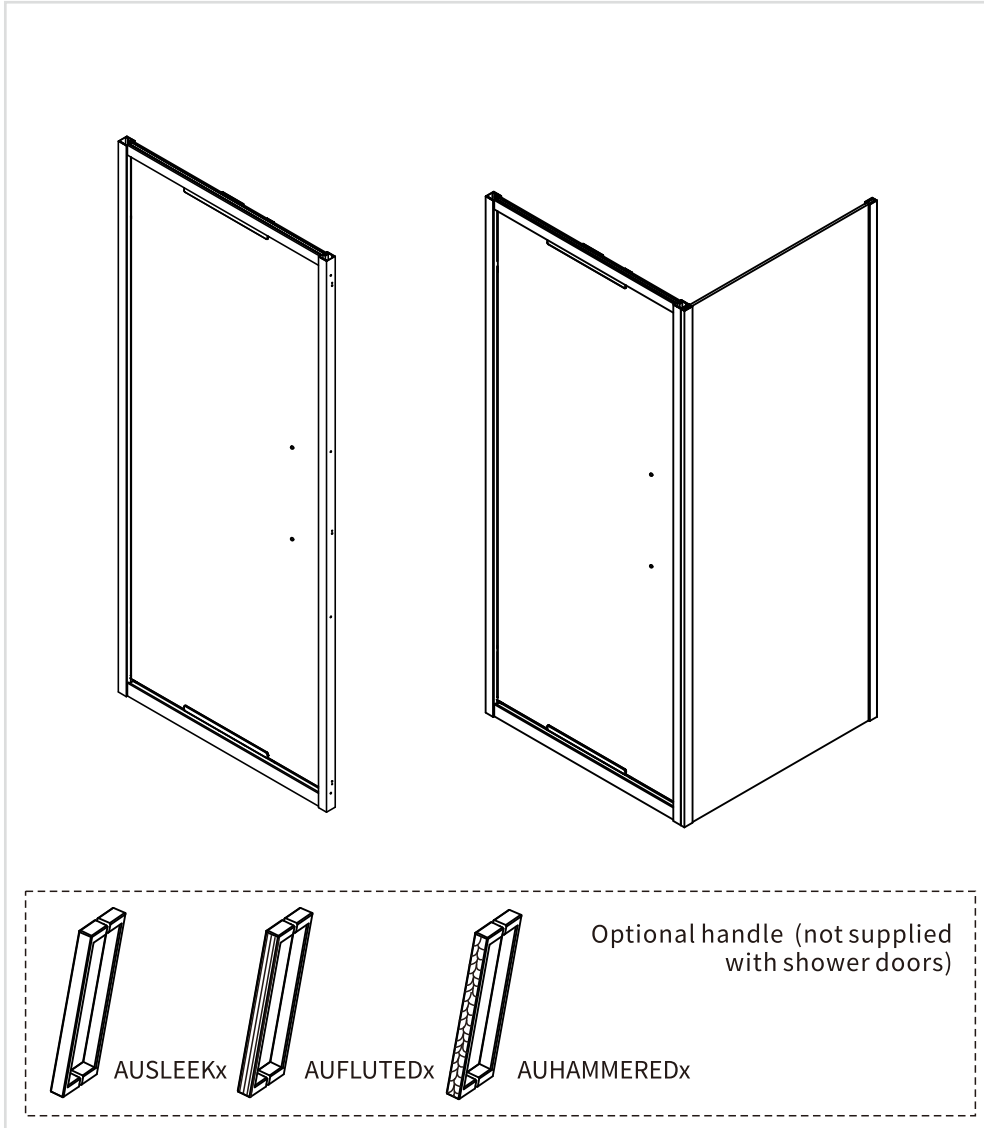


ASURA

Infold Door & Side Panel



PRODUCT CODES:

AUIDSC0800
 AUIDBZC0800
 AUIDFC0800
 AUIDVC0800
 AUIDTC0800
 AUIDBC0800
 AUIDSC0900
 AUIDBZC0900
 AUIDFC0900
 AUIDVC0900
 AUIDTC0900
 AUIDBC0900

AUIDSPSC0800
 AUIDSPBZC0800
 AUIDSPFC0800
 AUIDSPVC0800
 AUIDSPTC0800
 AUIDSPBC0800
 AUIDSPSC0900
 AUIDSPBZC0900
 AUIDSPFC0900
 AUIDSPVC0900
 AUIDSPTC0900
 AUIDSPBC0900



IMPORTANT INFORMATION

Please read carefully and keep this information for further reference.

BEFORE STARTING THE INSTALLATION ENSURE ALL THE DOOR SIZE MEASUREMENTS CORRESPOND WITH THE INSTALLATION AREA INCLUDING THE FINISHED TILED/PANELLED WALLS. RETURNS DUE TO INCORRECT SIZING WILL NOT BE ACCEPTED.

Check the contents of the pack carefully before installation. Crosswater will not be held responsible for any de-fit / re-fit costs where faulty product has been fitted. If any fault is found with materials or workmanship, it must be reported immediately to the manufacturer. Remedial action will be taken, based on information received, on condition that:

1.Full details are supplied to the manufacturer;

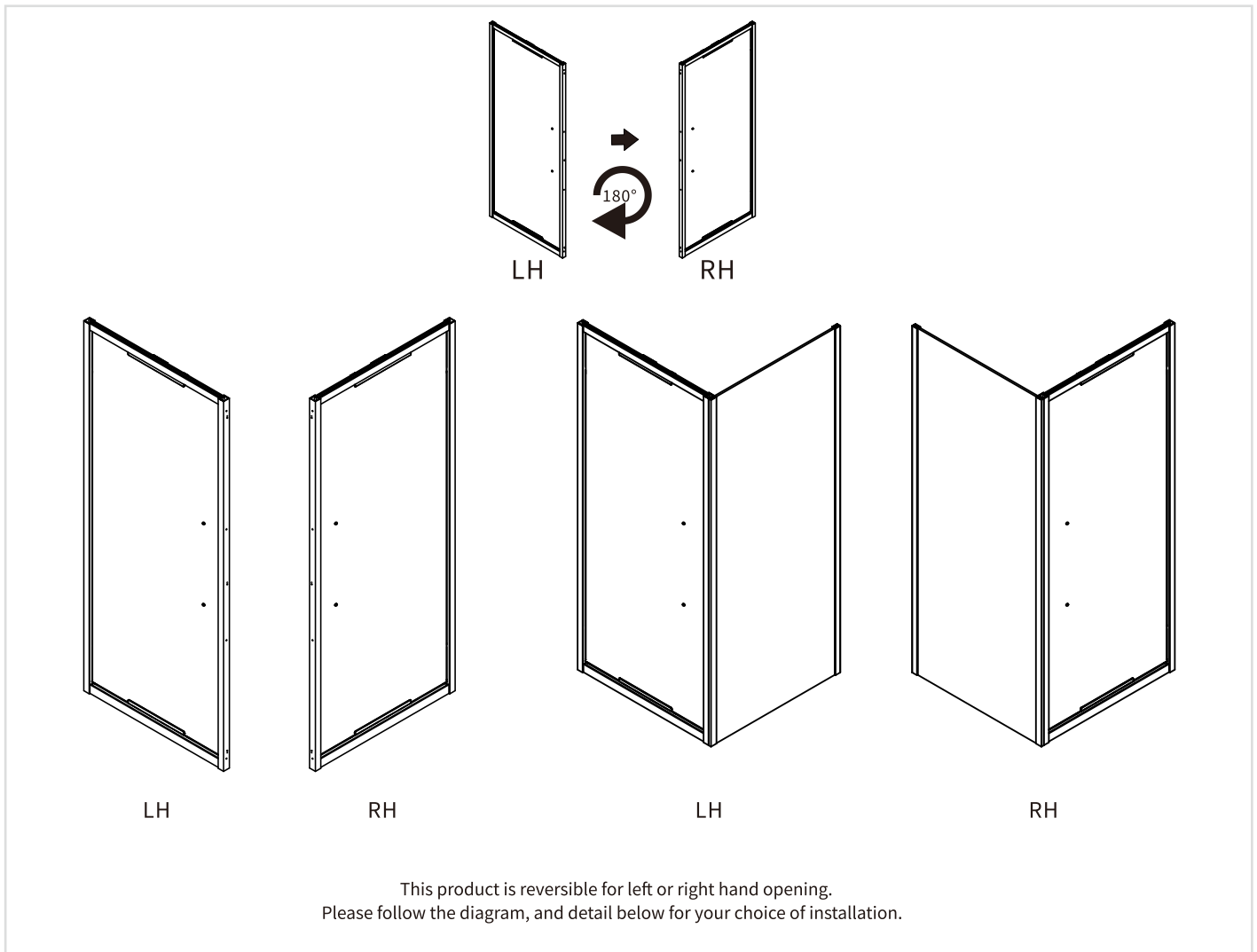
2.The enclosure has not been modified or tampered with;

3.The manufacturer is informed of any damage/shortages prior to installation.

VERY IMPORTANT

You must complete all tiling and grouting, and the shower tray **MUST** be level and fully sealed to the tiles before installation. If you do not fit the enclosure onto a tiled surface, or seal the tiles to the tray before installation, water may soak into the wall behind the wall profiles.

ORIENTATION



IMPORTANT INFORMATION

Please read carefully and keep this information for further reference.

The installation instructions are based on typical use and conditions. All doors are designed to open outwards only. These hints have been prepared for your guidance, you must exercise due care at all times. For Health and Safety 2 people must carry out the installation of this shower enclosure. Handle glass with care. Although the glass supplied is toughened safety glass (EN12150), impacts can damage both the glass and the frame.

BEFORE YOU START

Warning!

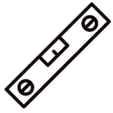


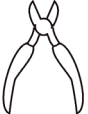





Please check for any hidden pipes or cables before drilling holes in the wall.

When using power tools always follow the manufacturers user instructions.

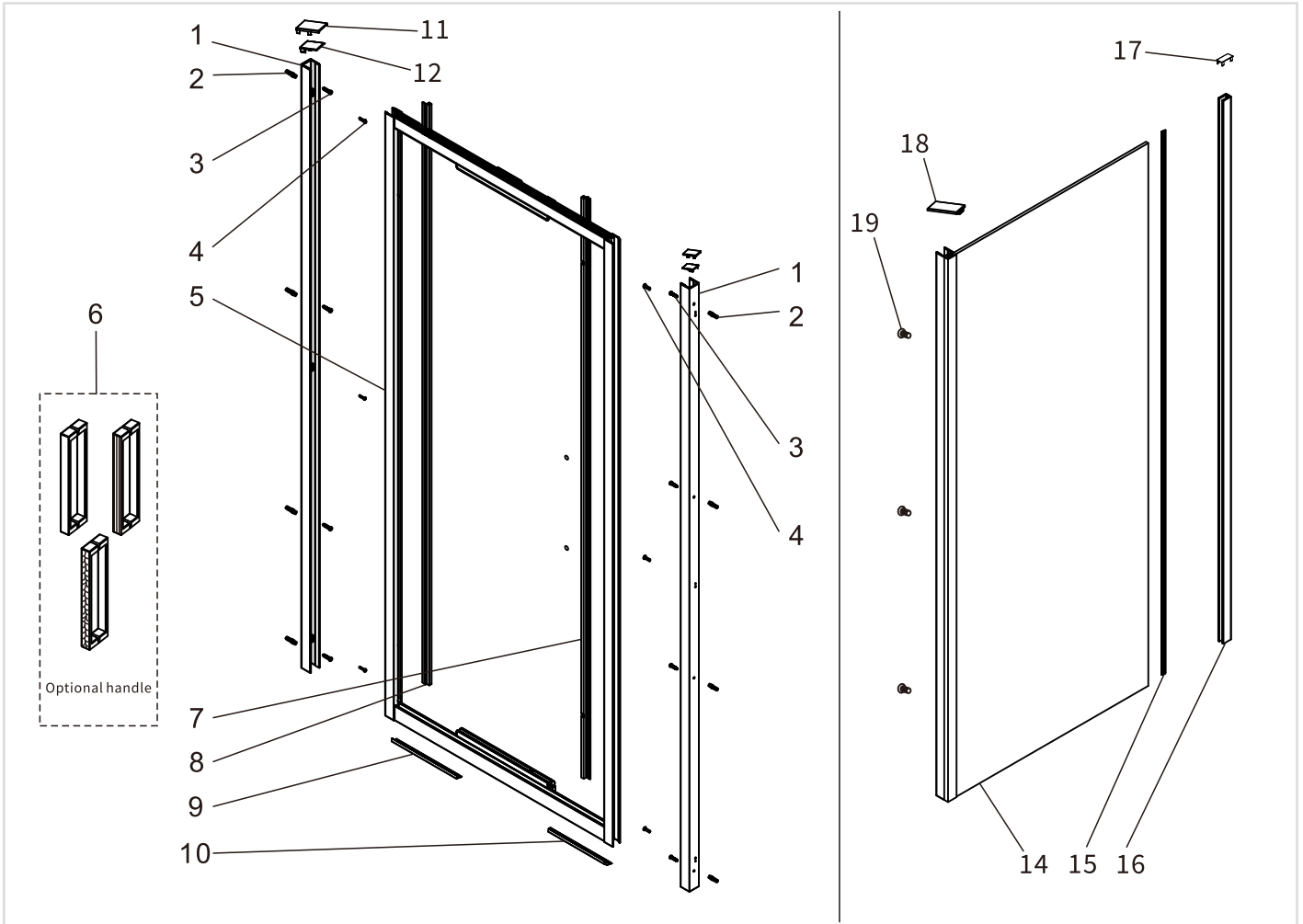
If the Framework is sealed to the tray on the inside, any water that may get into the framework will not be able to drain back into the tray, this may cause the enclosure to leak.




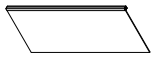

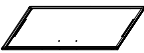

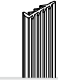
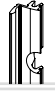


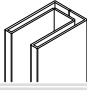



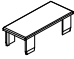




Leave the silicone sealant to dry for 24 hours before using the enclosure.

Tools Required (not supplied):

Spirit Level		Torque Screw Driver	
Pencil		Snips	
Drill		6mm Drill Bit	
Silicone		Measuring Tape	
Knife			

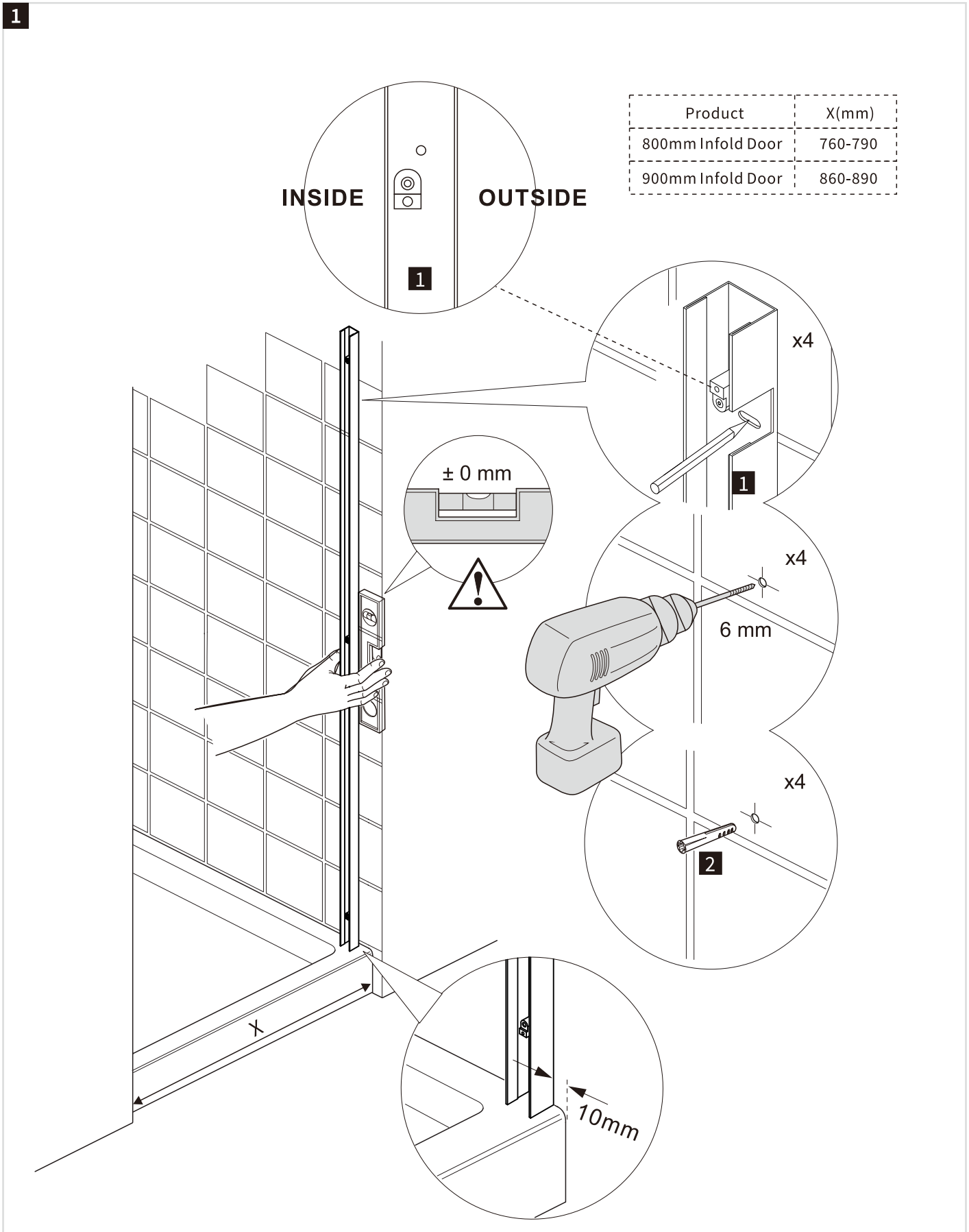
COMPONENTS



1		Wall profile x2	2		Wall Plug x8	3		4x35mm Screw x8	14		Side panel x1
4		M5*30 Screw x6	5		Door x1	6		Optional handle (not supplied with shower door) x1	15		Wedge seal x1
7		Seal x1	8		Seal x1	9		Bottom Seal x1	16		Wall profile x1
10		Bottom Seal x1	11		Wall profile cap x2	12		Adjustment profile cap x2	17		Wall profile cap x1
13		Allen Key 2.5mm x1 3mm x1 4mm x1	20		Wedge gasket tool x1				18		Cap x1
									19		4x16mm Screw x3

INSTALLATION

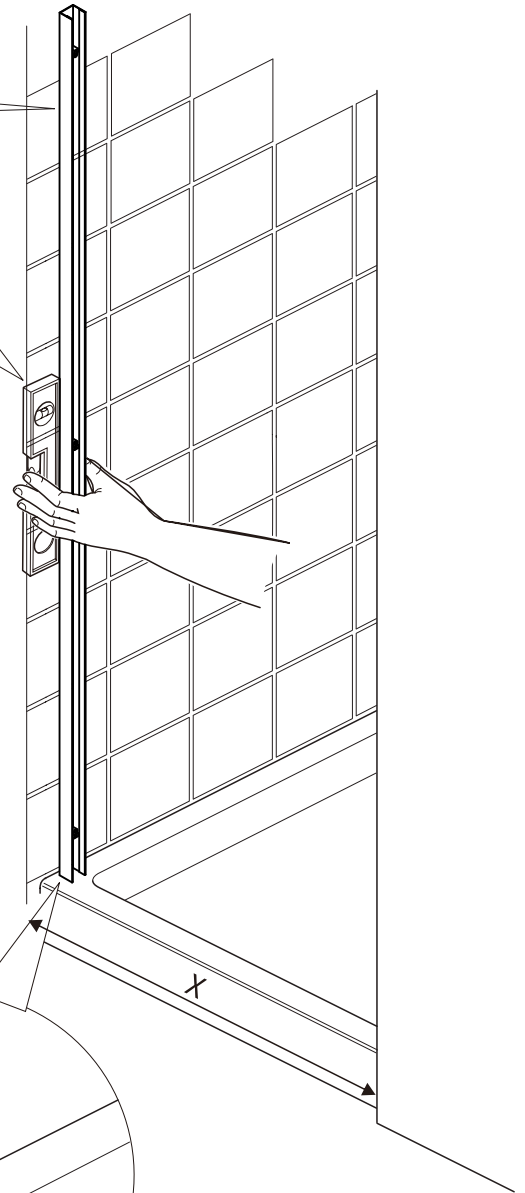
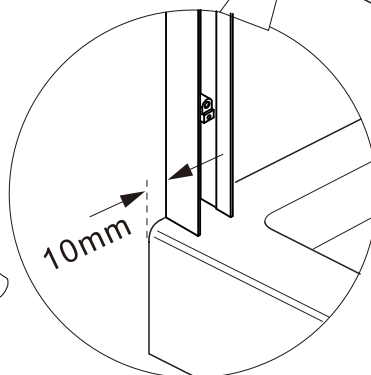
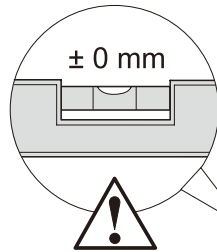
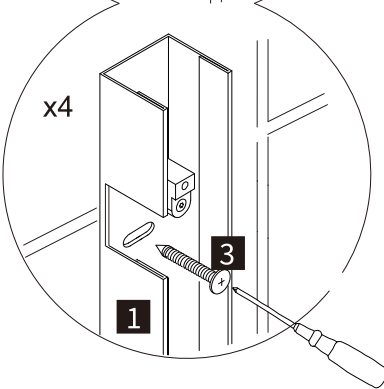
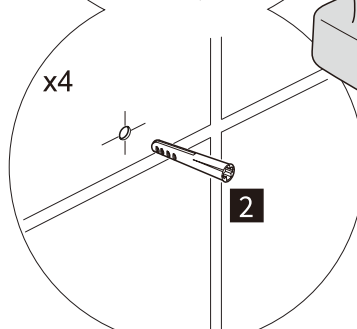
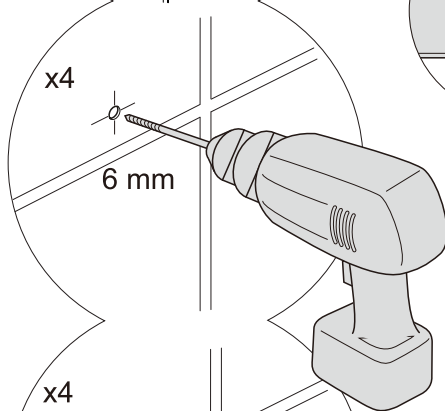
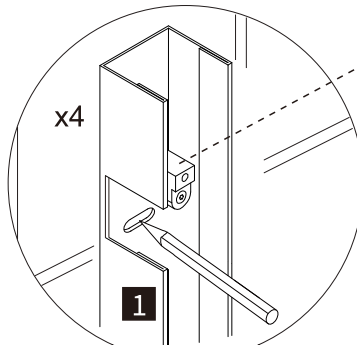
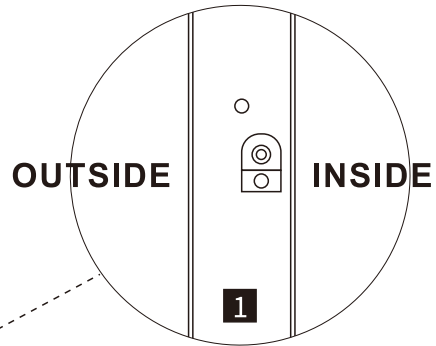
1



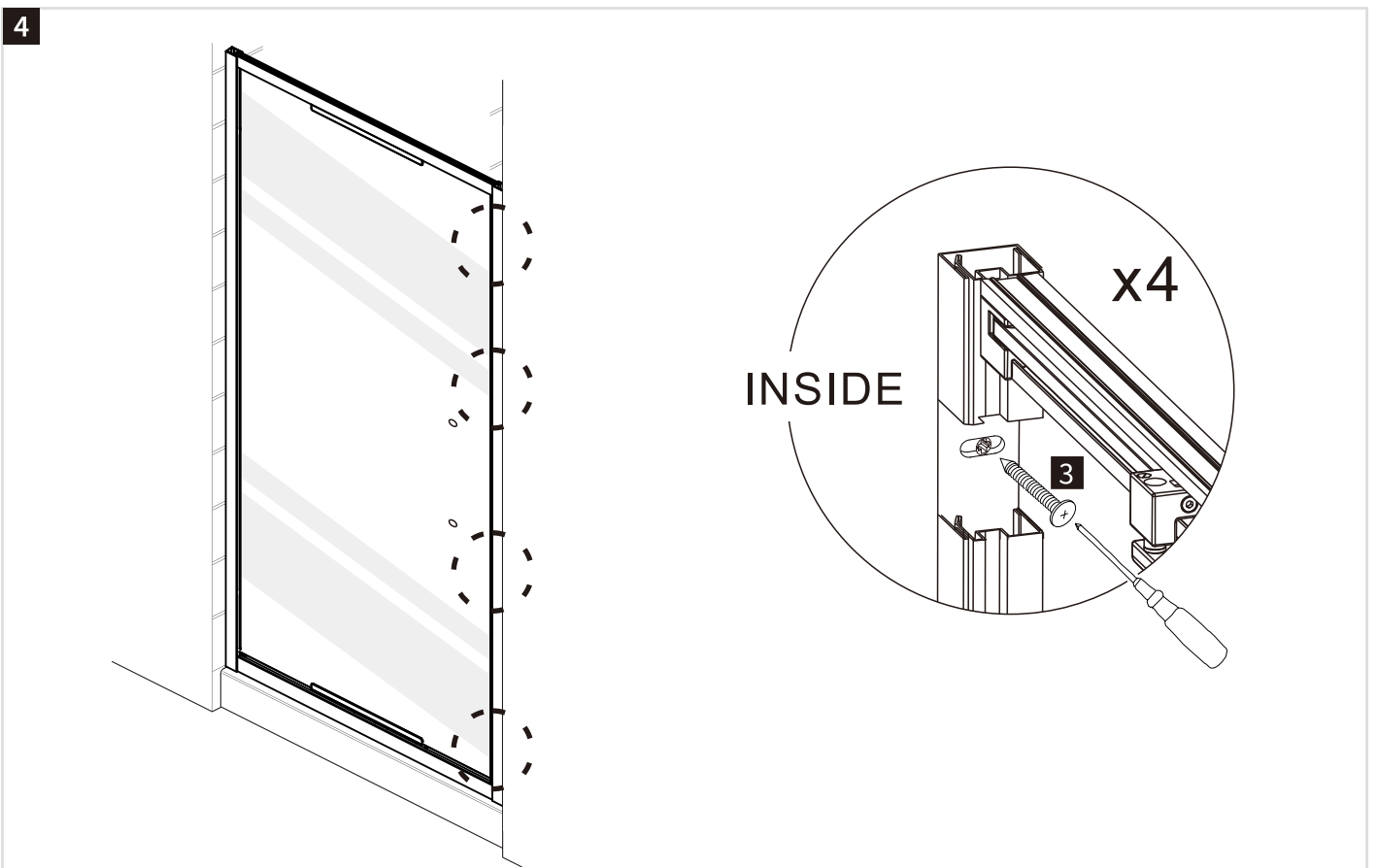
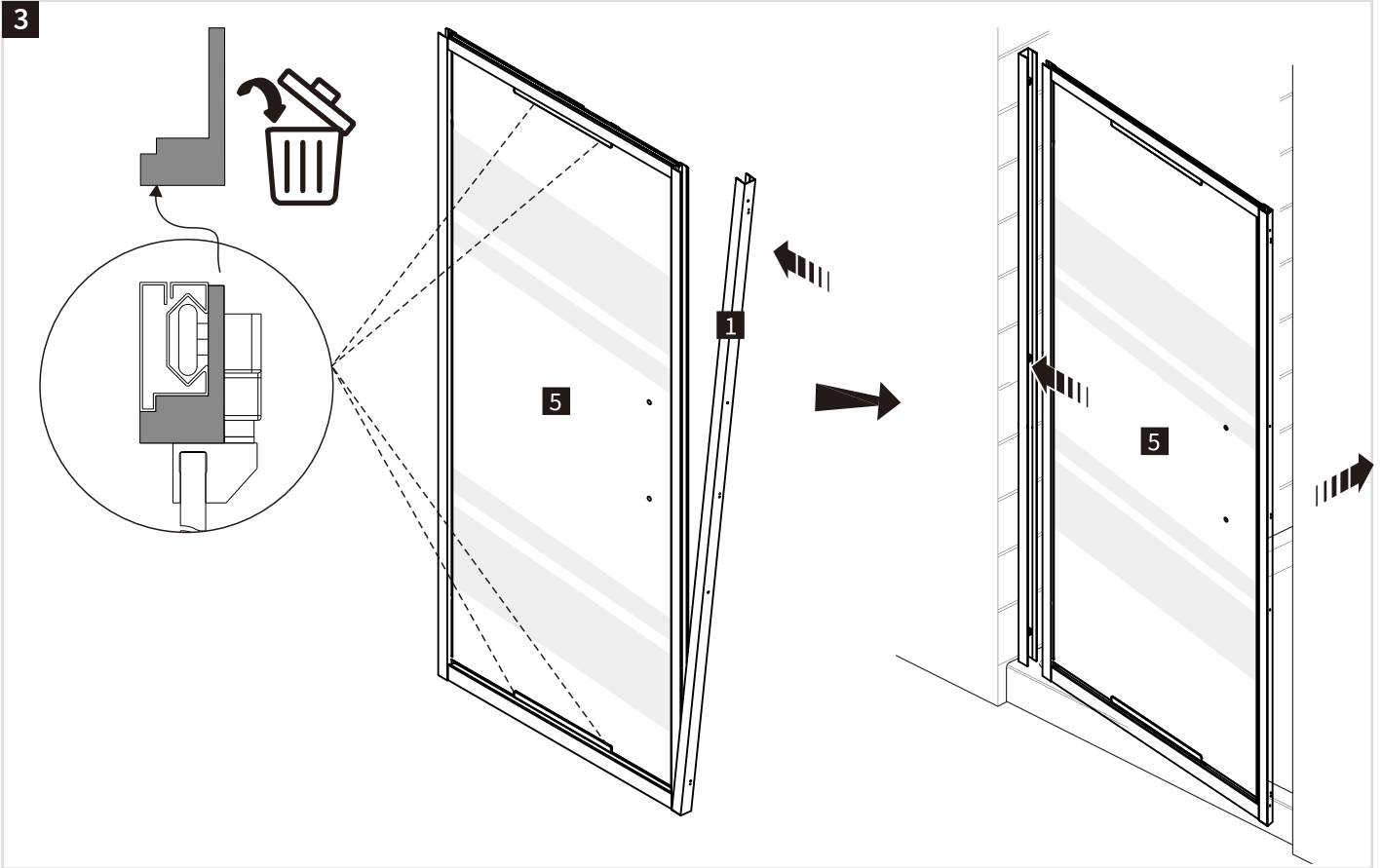
INSTALLATION

2

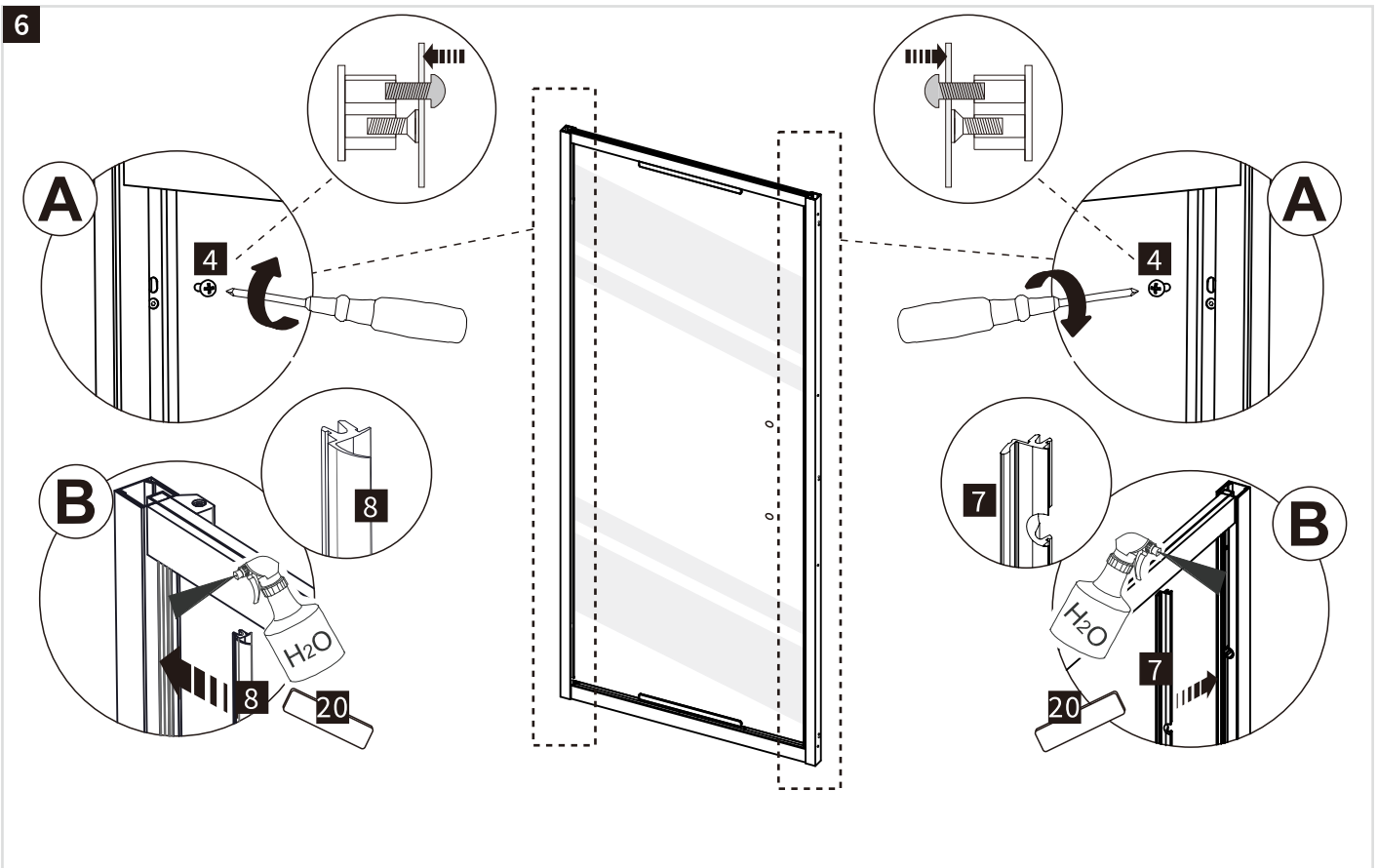
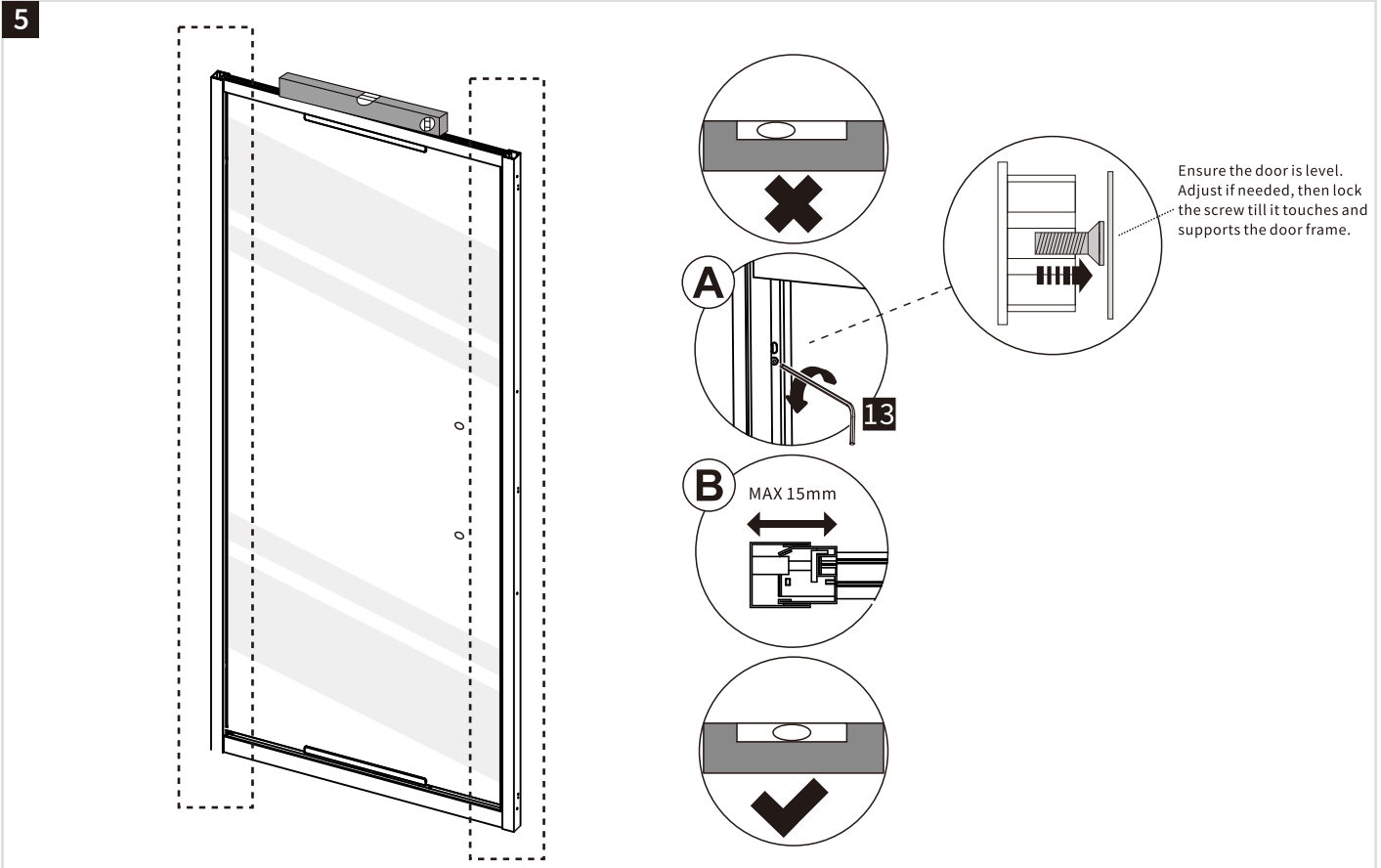
Product	X(mm)
800mm Infold Door	760-790
900mm Infold Door	860-890



INSTALLATION

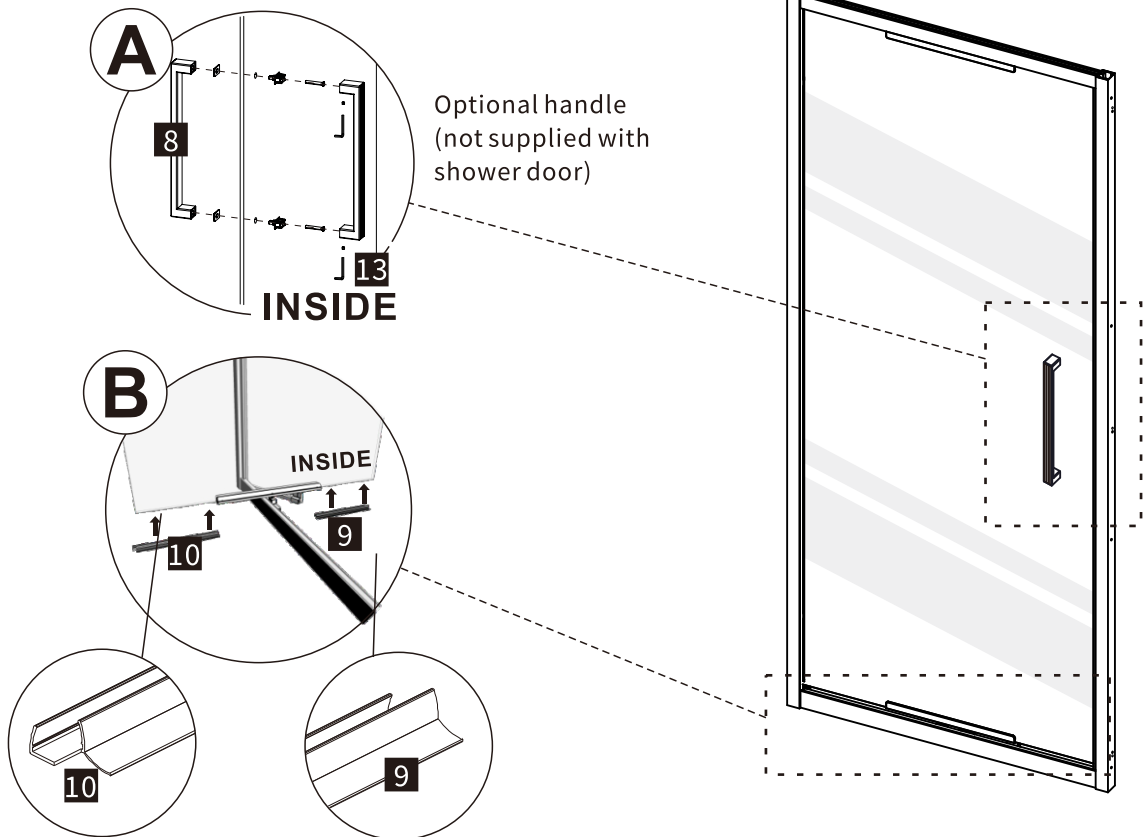


INSTALLATION

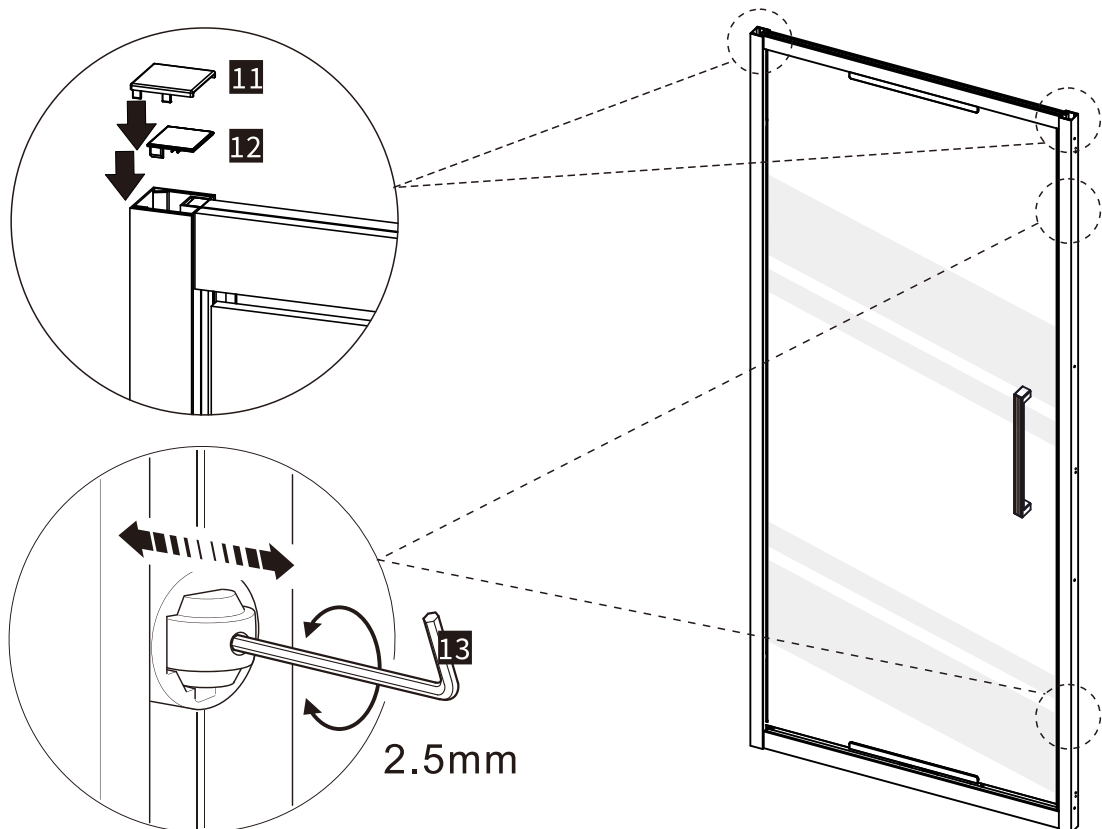


INSTALLATION

7

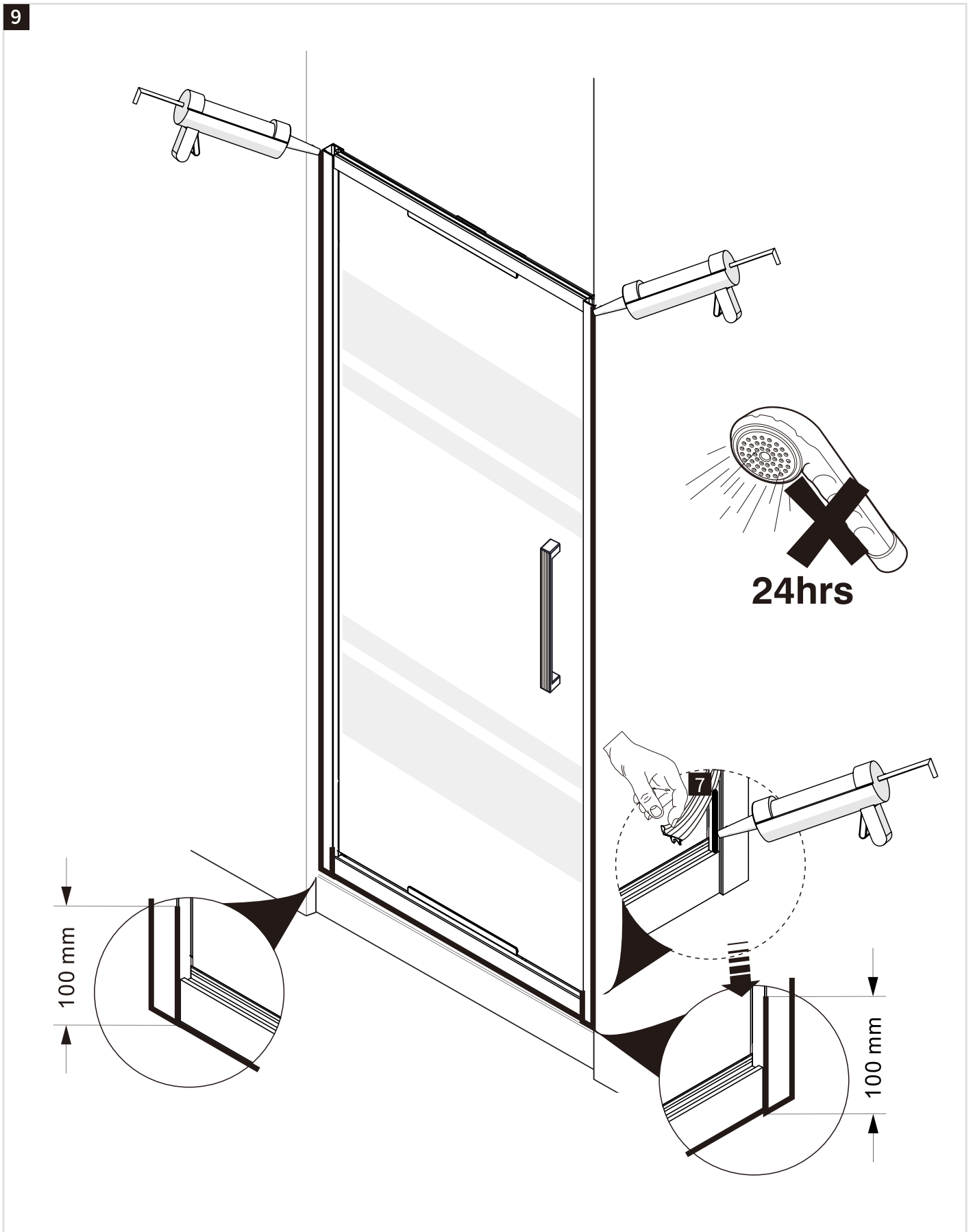


8



INSTALLATION

9



INSTALLATION

10

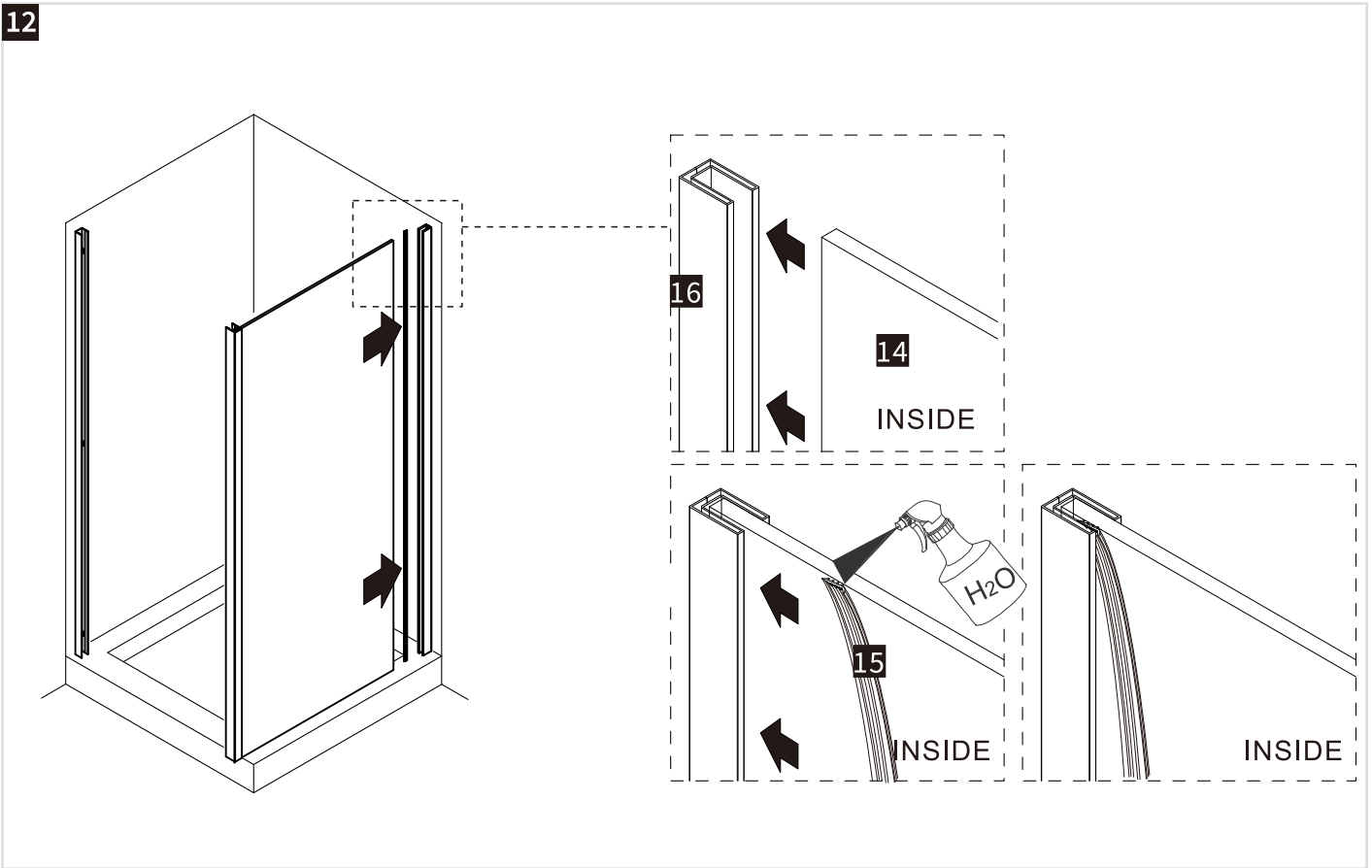
Product	X(mm)
800mm Infold Door	772-787
900mm Infold Door	872-887

11

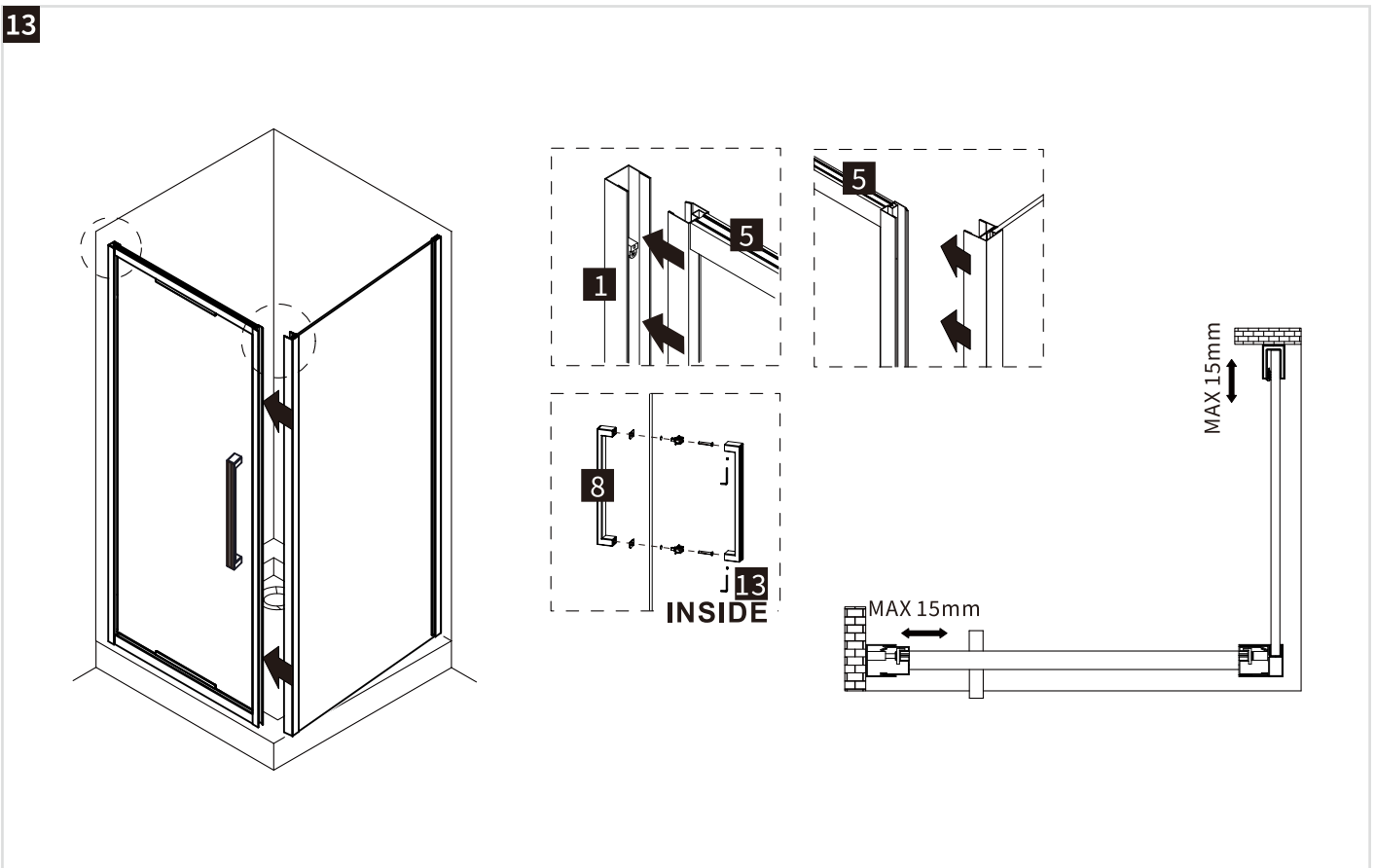
Product	Y(mm)
800mm Side Panel	770-785
900mm Side Panel	870-885

INSTALLATION

12

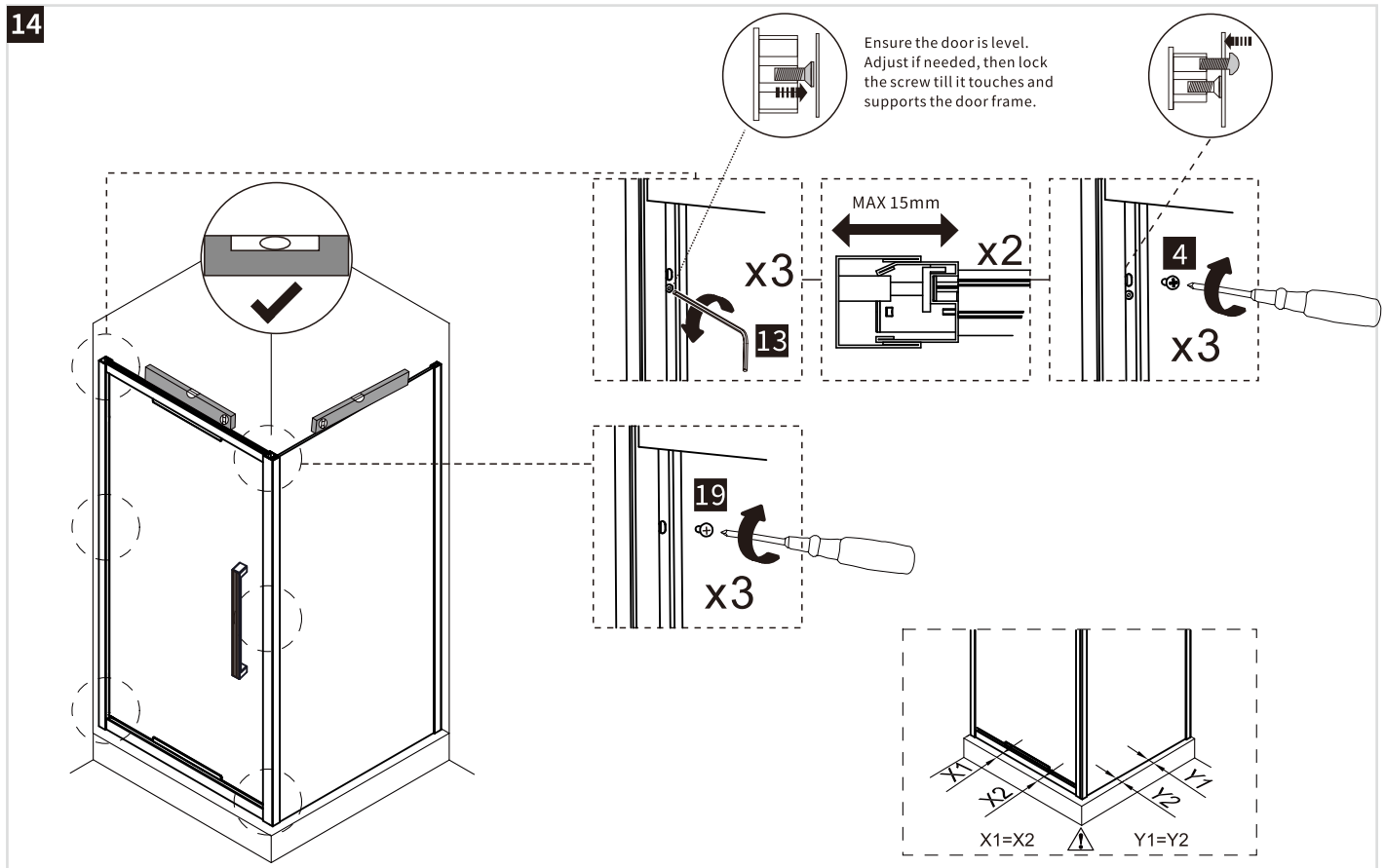


13

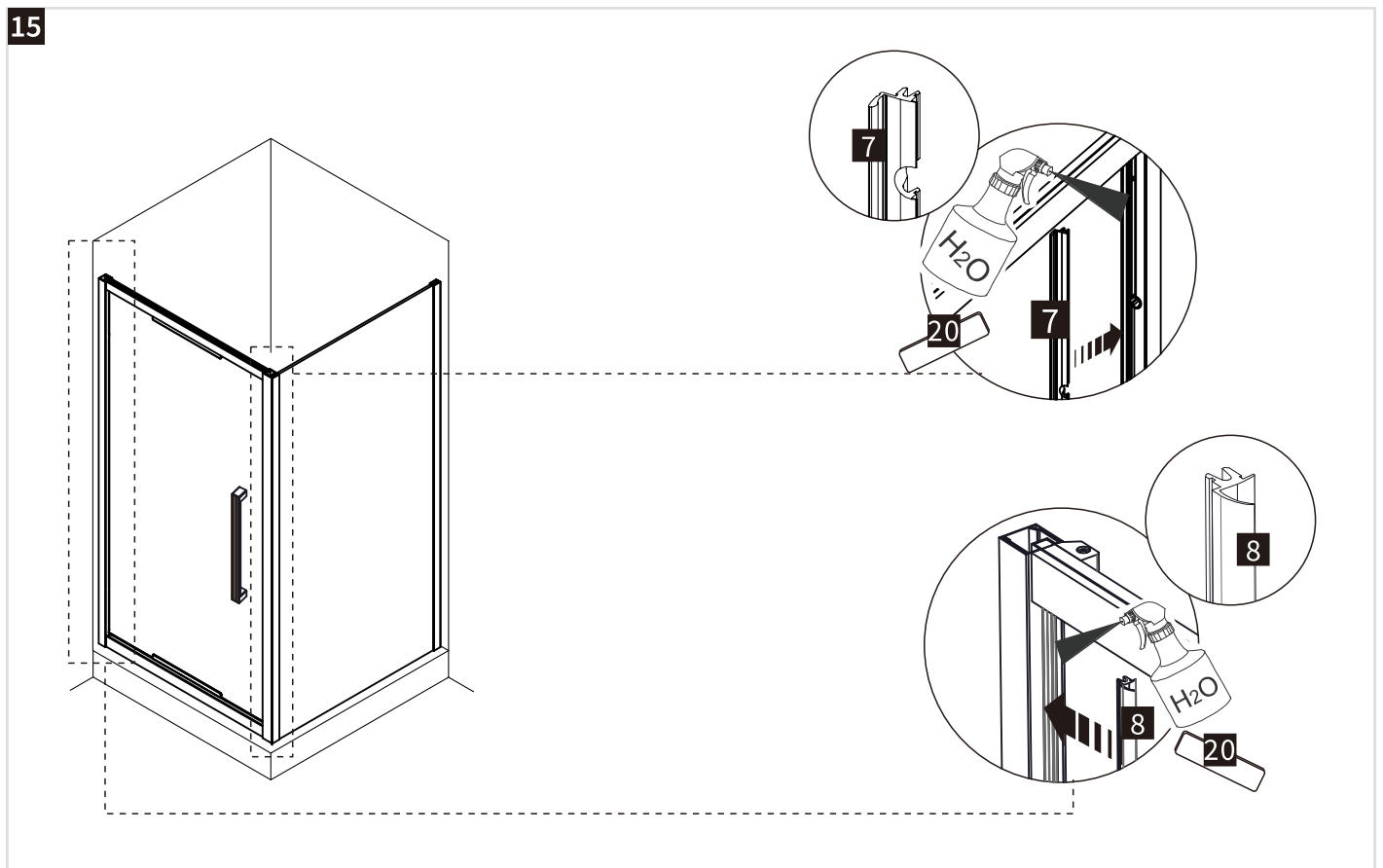


INSTALLATION

14

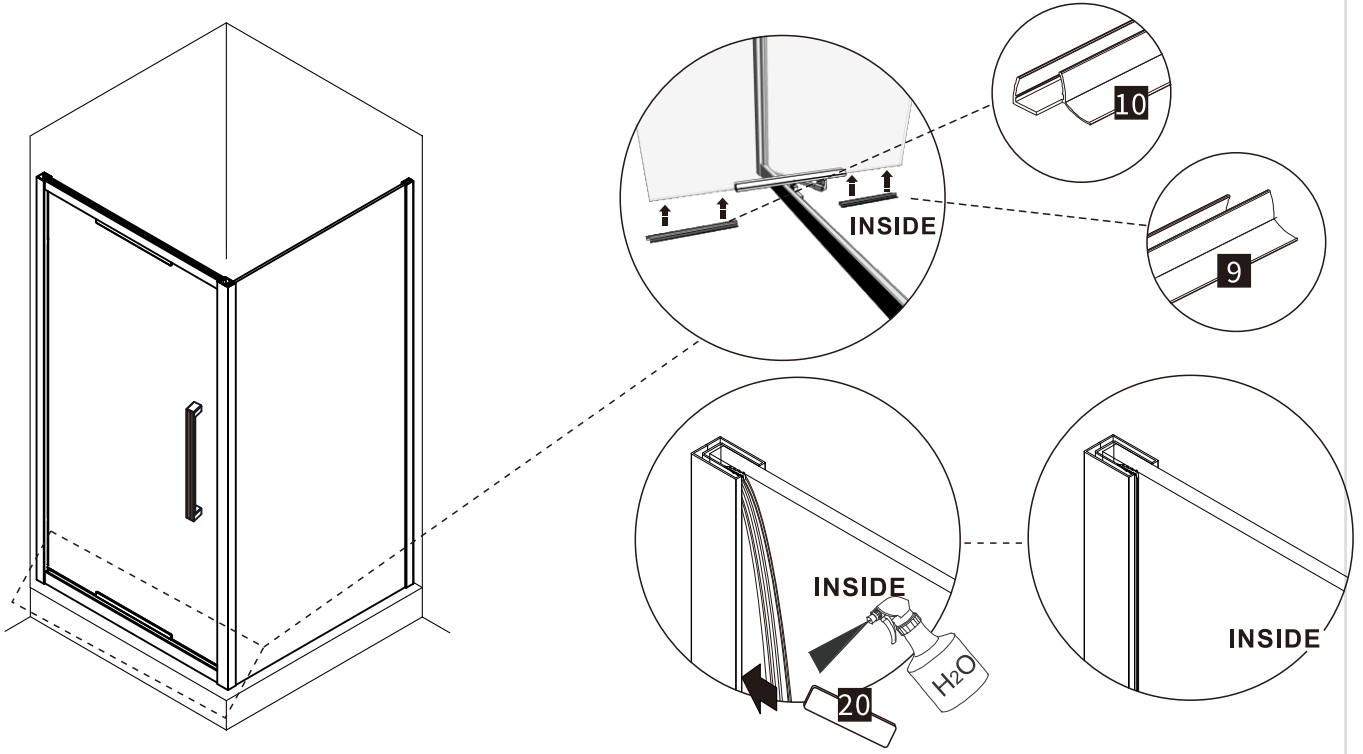


15

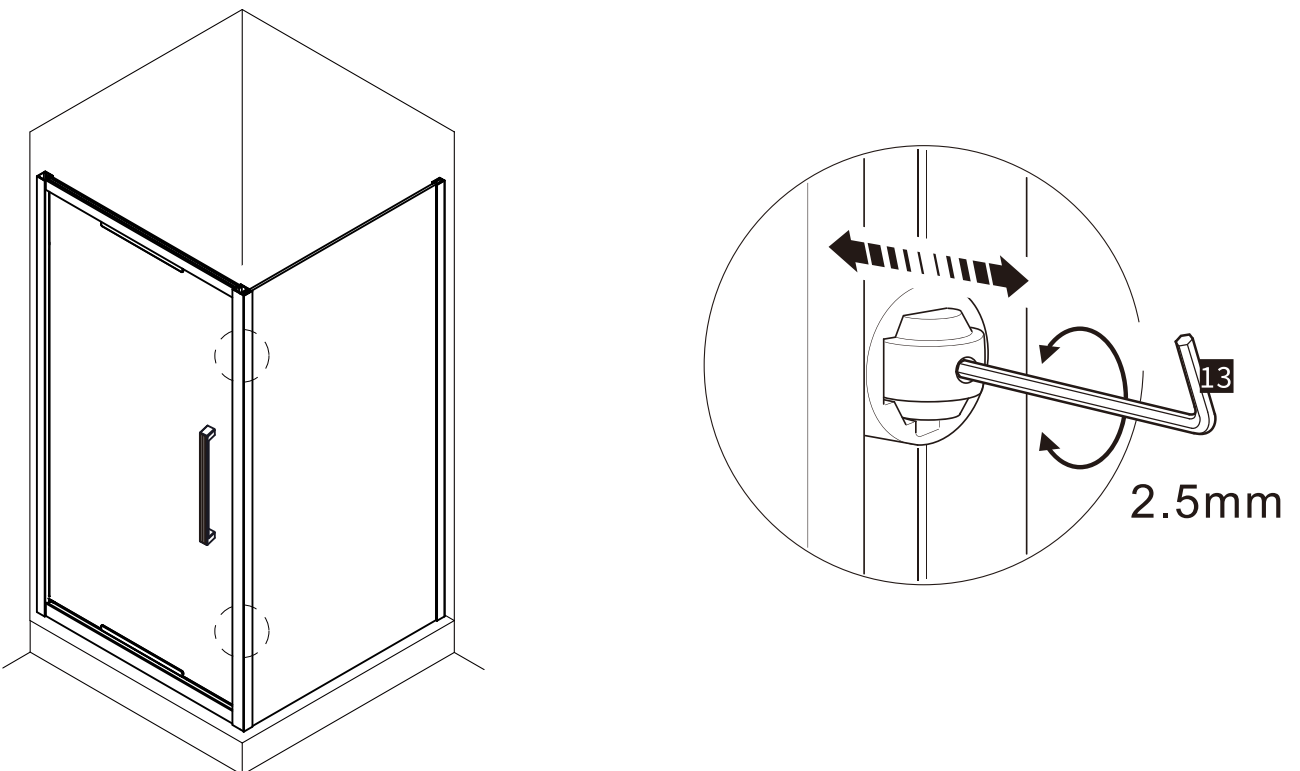


INSTALLATION

16

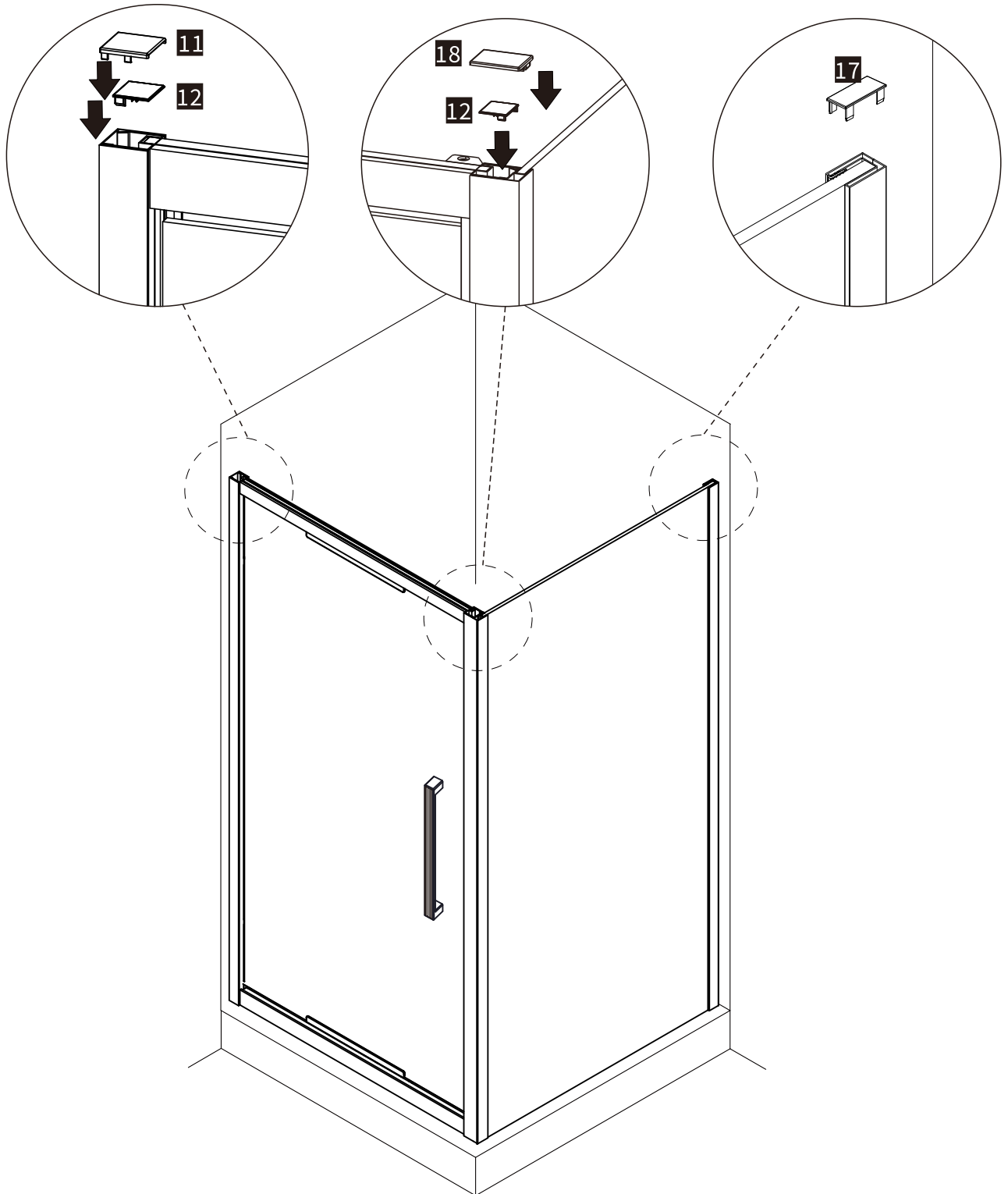


17



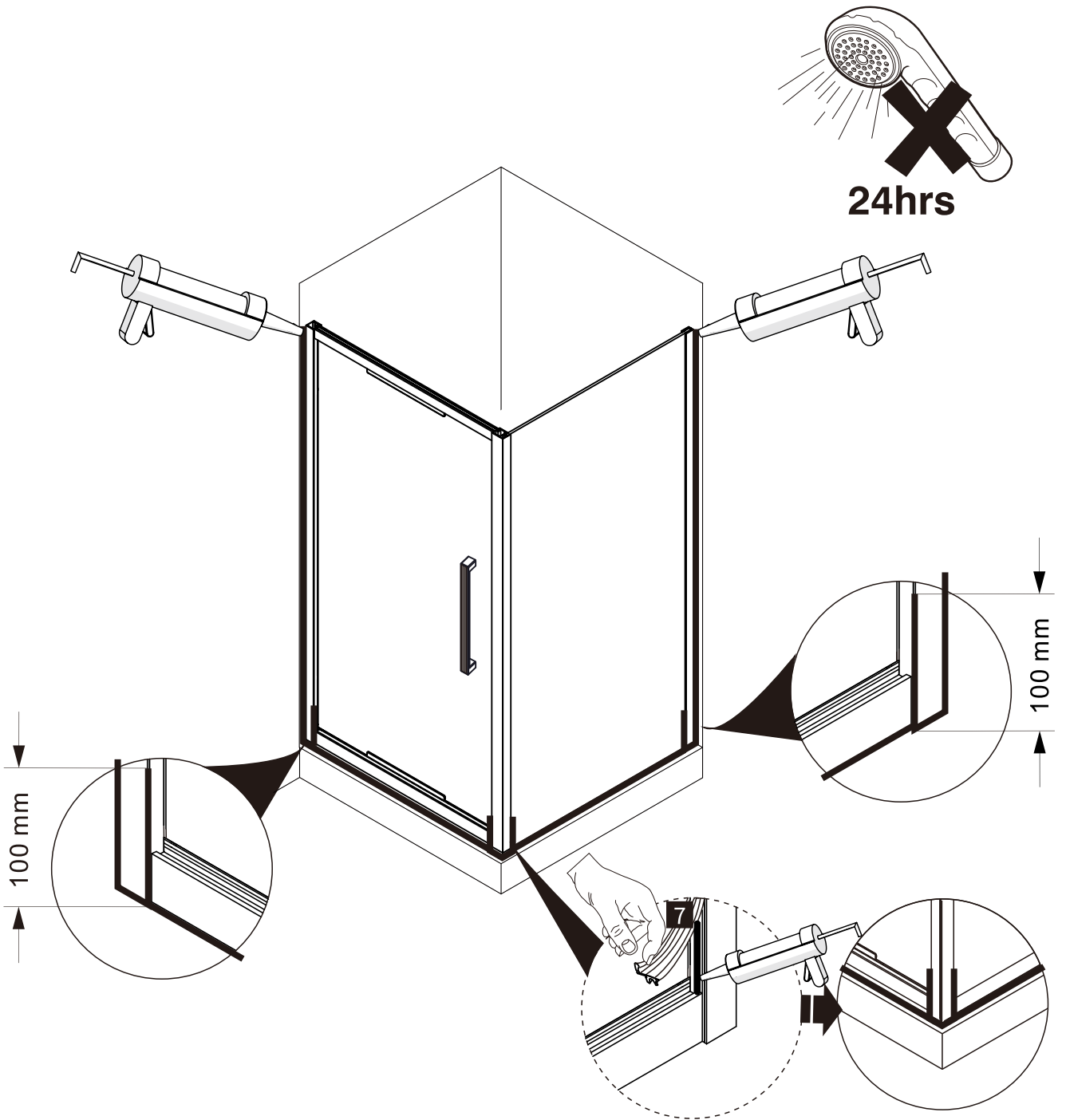
INSTALLATION

18



INSTALLATION

19



CARE & MAINTENANCE

Do not use solvents or abrasive materials or chemicals to clean shower doors.

PH < 6.8, PH > 7.2

Only use soapy water and soft cloth, rinse thoroughly afterwards.

PH = 6.8 - 7.2

