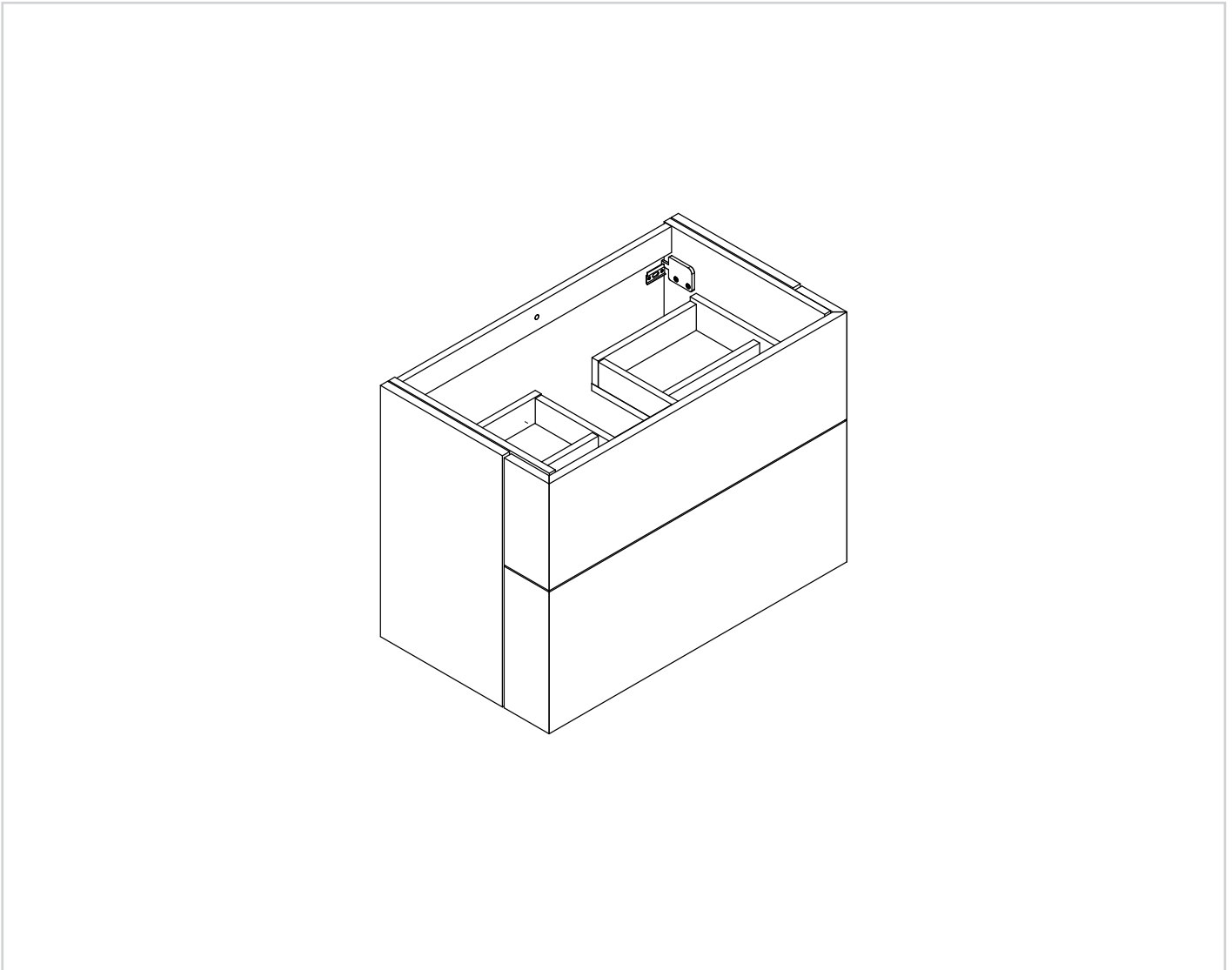


AVENUE

Furniture Range



IMPORTANT INFORMATION BEFORE YOU START

Please read carefully and keep this information for further reference.

Thank you for buying a Crosswater Product. To ensure that it works to its full potential, it needs to be fitted correctly.

Check the contents of the pack carefully before installation.

Crosswater will not be held responsible for any de-fit/re-fit costs where faulty product has been fitted. If any fault is found with materials or workmanship, it must be reported immediately to the manufacturer. Remedial action will be taken, based on information received, on condition that:

1. Full details are supplied to the manufacturer.
2. The product has not been modified or tampered with;

3. The manufacturer is informed of any damage/shortages prior to installation.

4. The product has not been installed, or attempts have been made to install.

We do not accept responsibility for any problems that may occur through incorrect installation. This product should only be installed by a suitably qualified plumber/installer. Should the installation be completed by a non-qualified person any product guarantee maybe considered invalid. For a claim made under our warranty, written certification of your installer's qualifications may be required.

BEFORE YOU START

IMPORTANT INFORMATION

Please read carefully and keep this information for further reference.

Please check for any hidden pipes or electrical cables before drilling holes in the floor or walls. When using power tools always follow the manufacturer's user instructions. This installation guide details fitting to a solid wall. If your bathroom has studded/plasterboard walls, please use appropriate fixings.

Make sure that the wall can take the weight of the products before undertaking the installation.

It is advised that all doors and drawers are removed prior to fitting to avoid unnecessary damage occurring.









It is recommended that the furniture and accessories are installed after tiling, ensuring that the product is installed flat to the tile face and allows product to be easily removed if required in the future.

This document has been prepared for your guidance, you must exercise due care at all times.

Please note that some units are heavy. Always take care when lifting, and follow health and safety guidelines. It is recommended that 2 people carry out the installation of larger basin/vanity units over 30Kgs gross weight.

If any maintenance is required then it must be carried out by a qualified installer. The manufacturer reserves the right to make technical modifications without prior notice.

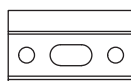
Tools Required (not supplied):

Drill + 8mm Drill Bit		Pencil	
Tape Measure		Screw Driver	
Spirit Level		Safety Goggles	
Adjustable Spanner		Water Based Silicone Sealant	

FIXINGS

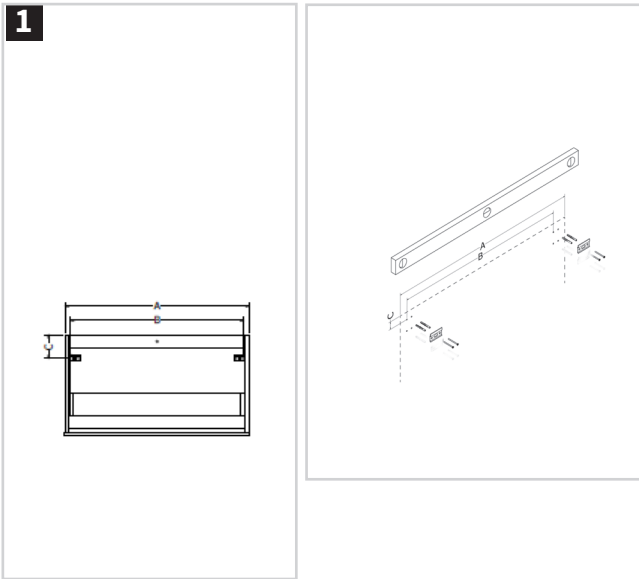


x4

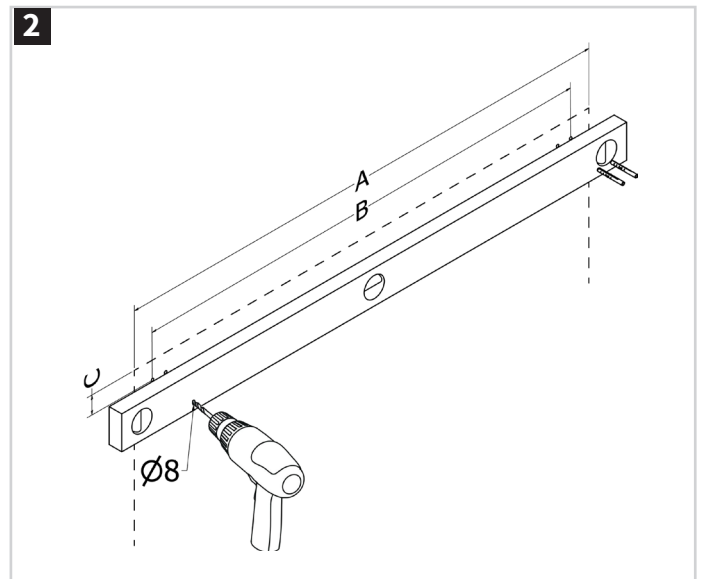


x2

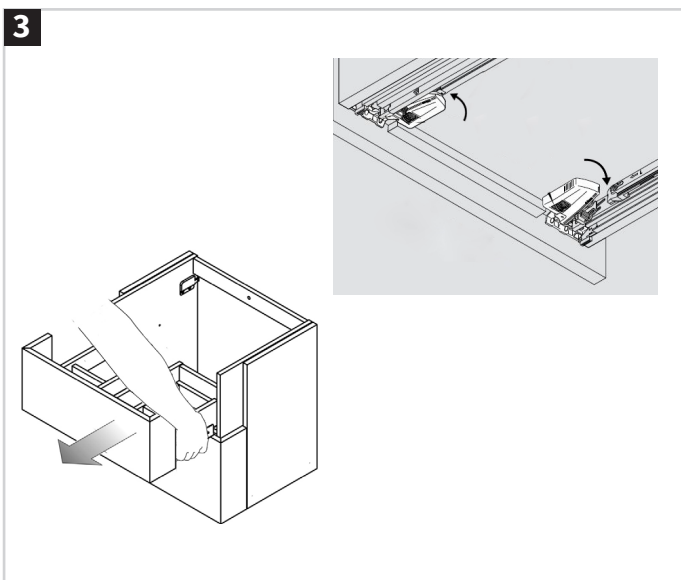
INSTALLATION



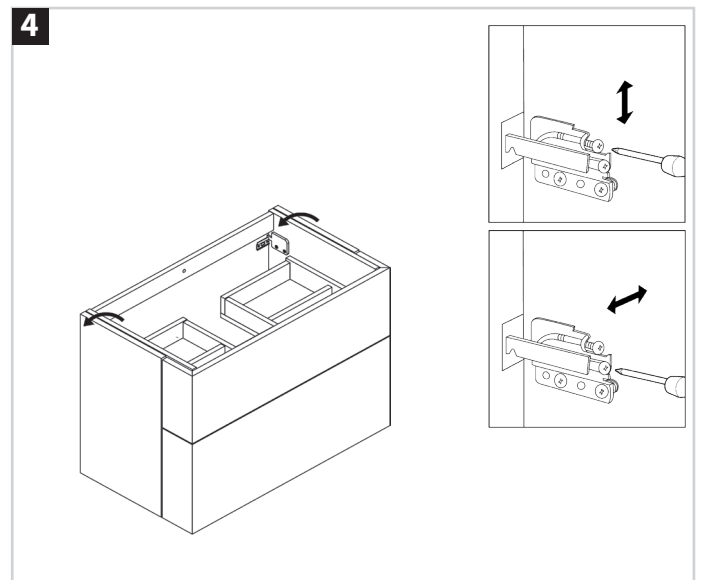
1 Measure the width and height of the fixing brackets - distances B and C. Mark the wall and prepare to drill.



2 Drill the marks using an 8mm drill bit and ensuring there are no hidden pipes or cables in the wall. Make sure the correct drill bit is used for the surface being drilled and check that the holes are level.

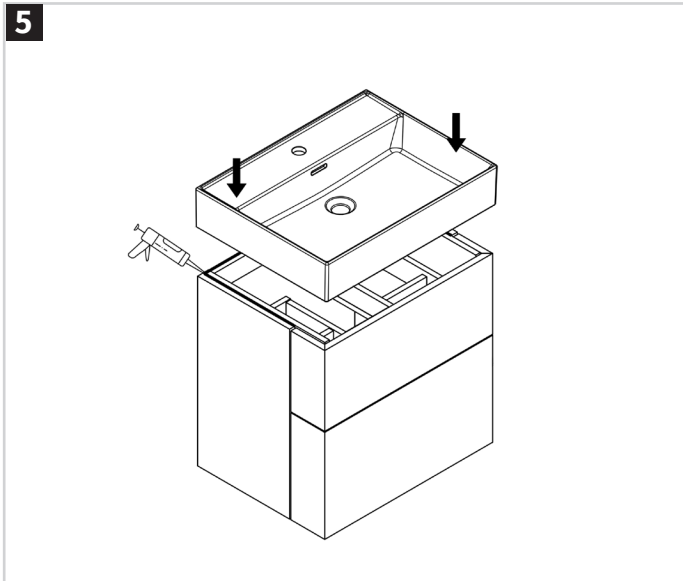


3 Remove the drawer from the unit by pressing the levers on the underside of each drawer as shown in the diagram. Place the drawer safely aside and ensure it is not dropped or dragged.



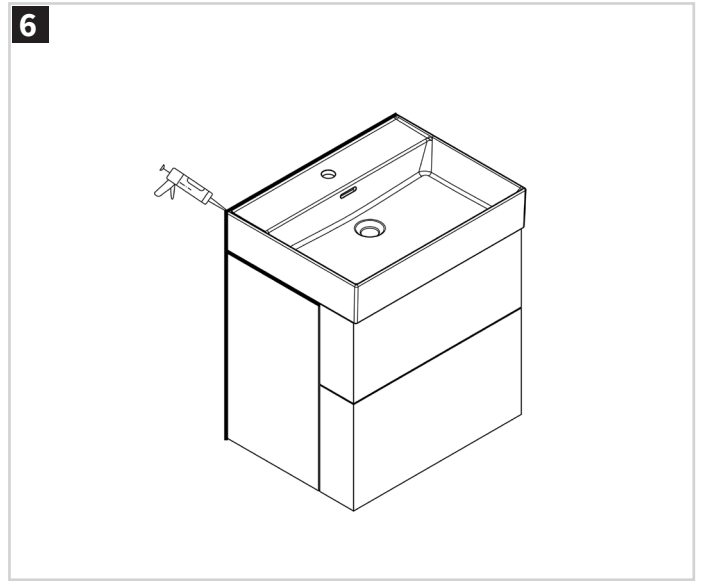
4 With the wall brackets firmly installed on the wall and level, the unit carcass can now be mounted on the wall brackets and adjusted to ensure it is flush with the wall and level

INSTALLATION

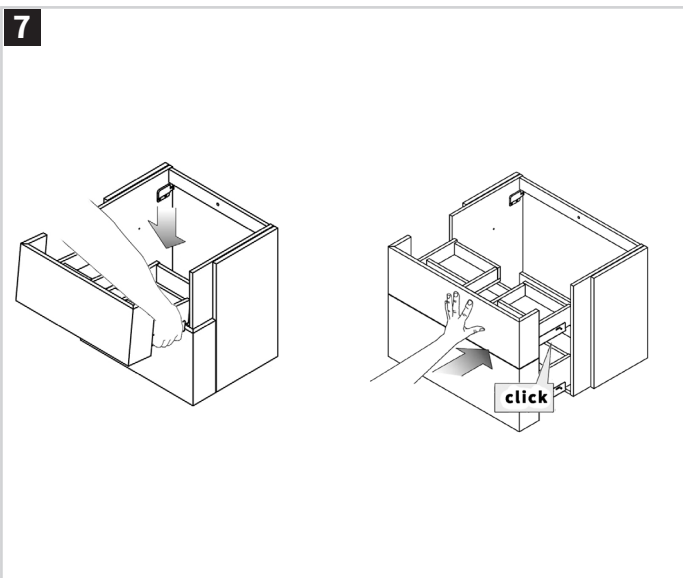


The basin, tap and waste fittings may now be installed, following the manufacturer's instructions. Connect water and waste pipework and turn on the water supply to check for any leaks.

Important: Apply silicone sealant on the top of the basin unit to keep watertight. Check the manufacturer's instructions for drying times.



With the wall brackets firmly installed on the wall and level, the unit carcass can now be mounted on the wall brackets and adjusted to ensure it is flush with the wall and level.



Return the drawers to the unit by extending the drawer guides and placing the drawer on the guides as shown on the diagram. Carefully push the drawer back into the unit until it engages audibly. Check that the drawer is working correctly.

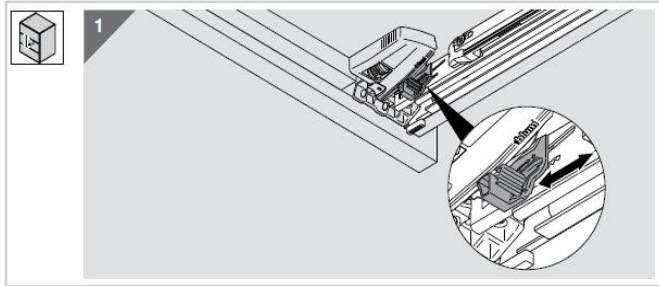
INSTALLATION

8

+++The drawers are factory fitted to suit each drawer unit. However, if adjustment is required please follow the below steps as necessary.

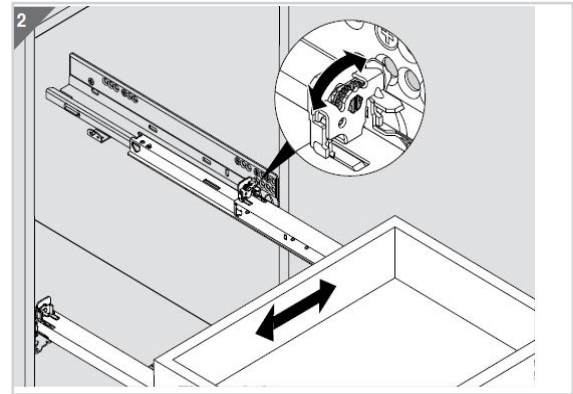
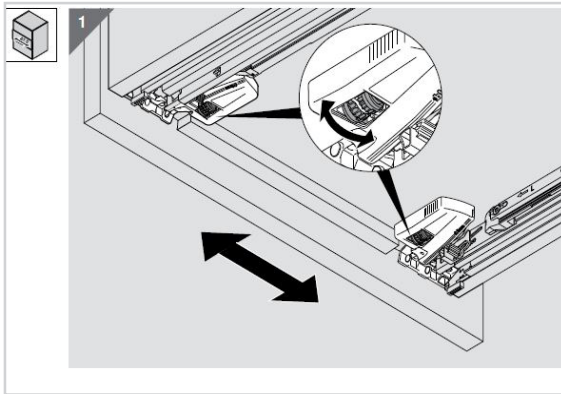
ADJUSTMENT

Height adjustment (+2.5/-1 mm)

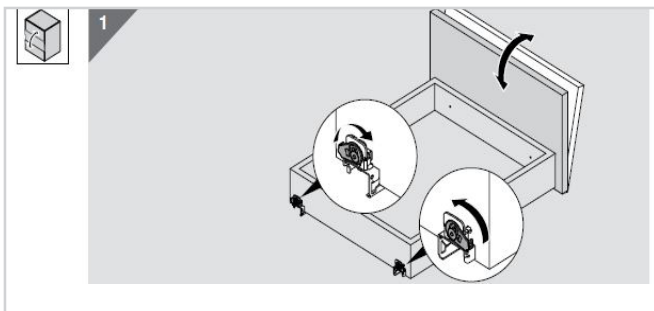


Side adjustment (± 1.5 mm)

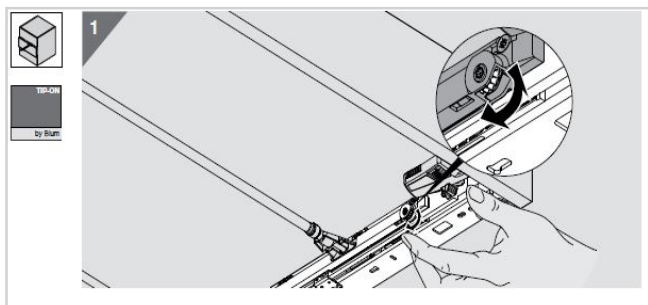
Perform on both side



Front angle adjustment ($\pm 2.5/-1.5$ mm)



Drawer adjustment front and back



CARE & MAINTENANCE

Clean the furniture surfaces regularly with a lightly damp microfiber cloth. Any residues from soap, toiletries, etc should be wiped off straight after use. Do not allow water to sit on the furniture unit for extended periods of time.

Household bleaches and cleaners containing harsh chemicals may damage the surface finish.

Avoid using abrasive cloths, scouring pads, scrub sponges, steel wool or anything similar.

Lime-scale marks can be cleaned using a diluted lime-scale remover used in accordance with manufacturers instructions.

Veneer furniture should always be cleaned with care, wiping in the direction of the wood grain and ensuring the surfaces are thoroughly dried after use.

Ceramic, glass and cast mineral marble basin products should be cleaned regularly with warm soapy water, then rinsed with clean water and, if desired, dried and polished with a soft cloth. Lime scale deposits can be removed using a 50:50 solution of warm water and lime scale remover and soft clean cloth.

We recommend regular cleaning with Cream Polish SD150RW, specially formulated to clean and help protect the surface of glass and cast mineral marble basins. Please also take care not to damage the lacquered surface on the underside of the glass washbasin that gives the washbasin its colour. Damage to the underside of the washbasin may be visible through the glass. Take care how you handle the washbasin prior to installation and place it on a soft surface to avoid damage. Regularly clean worktop, carcass and drawer using a micro-fibre cloth. Do not use abrasive cleaners or bleach as this will permanently damage the lacquered surfaces. If any maintenance is required then it must be carried out by a qualified Plumber.