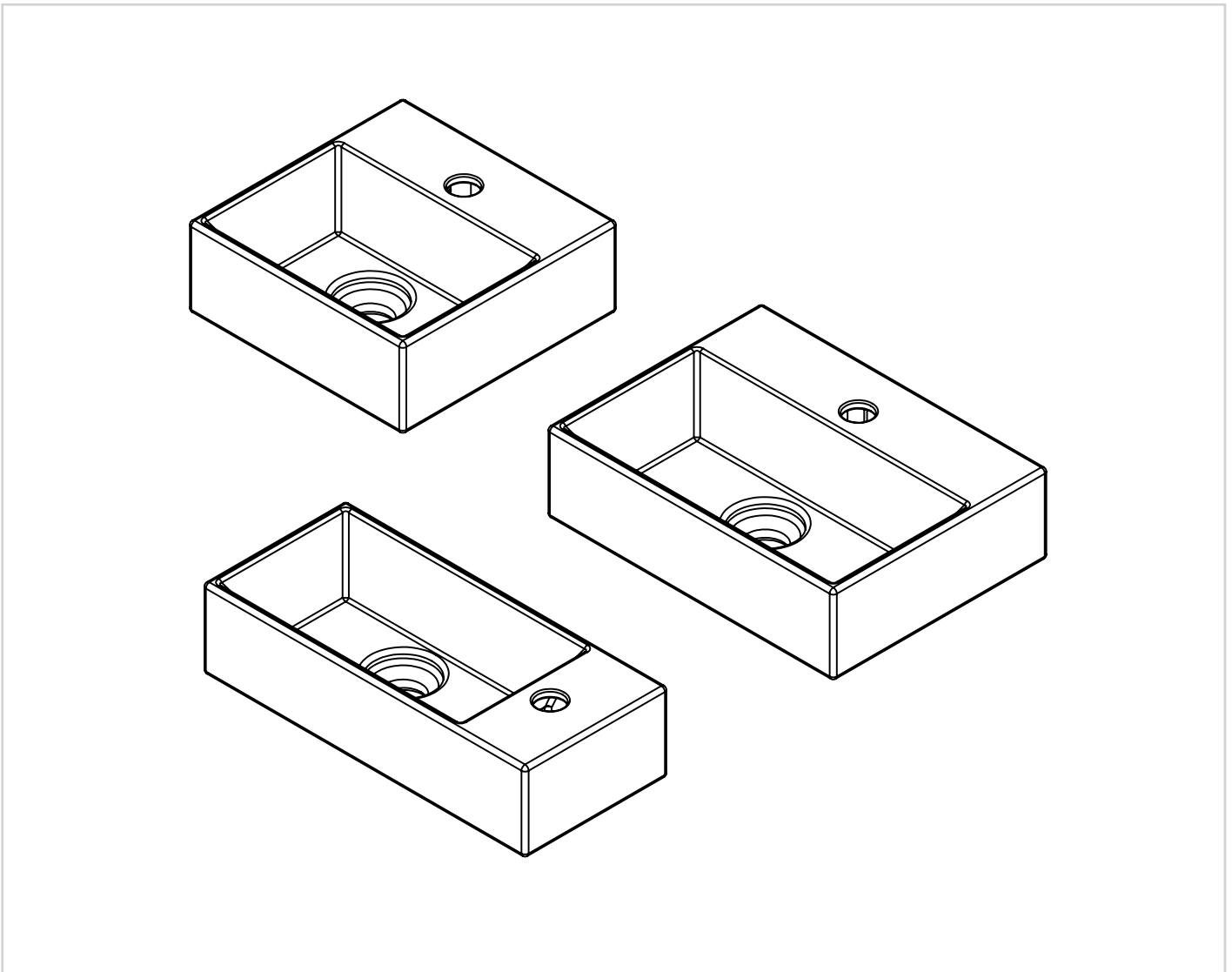


BECK

CLOAKROOM BASINS



IMPORTANT INFORMATION BEFORE YOU START

Please read carefully and keep this information for further reference.

Thank you for buying a Crosswater Product. To ensure that it works to its full potential, it needs to be fitted correctly.

Check the contents of the pack carefully before installation.

Crosswater will not be held responsible for any de-fit/re-fit costs where faulty product has been fitted. If any fault is found with materials or workmanship, it must be reported immediately to the manufacturer. Remedial action will be taken, based on information received, on condition that:

1. Full details are supplied to the manufacturer.
2. The product has not been modified or tampered with;

3. The manufacturer is informed of any damage/shortages prior to installation.

4. The product has not been installed, or attempts have been made to install.

We do not accept responsibility for any problems that may occur through incorrect installation. This product should only be installed by a suitably qualified plumber/installer. Should the installation be completed by a non-qualified person any product guarantee maybe considered invalid. For a claim made under our warranty, written certification of your installer's qualifications may be required.



IMPORTANT INFORMATION

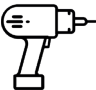



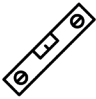


Please read carefully and keep this information for further reference.

Please check for any hidden pipes or electrical cables before drilling holes in the floor or walls. When using power tools always follow the manufacturer's user instructions. This installation guide details fitting to a solid wall. If your bathroom has studded/plasterboard walls, please use appropriate fixings.

Make sure that the wall can take the weight of the products before undertaking the installation. Fittings, when over tightened can create stress within the basin material which may in time cause the failure of the product. Care should also be taken when fitting a tap and waste to the basin in order to prevent similar stress related failures. Waste fittings should be carefully bedded in silicone and the back nut hand tightened; an additional quarter turn using a suitable spanner is sufficient to create the required watertight seal.

If any maintenance is required then it must be carried out by a qualified Plumber. The manufacturer reserves the right to make technical modifications without prior notice.

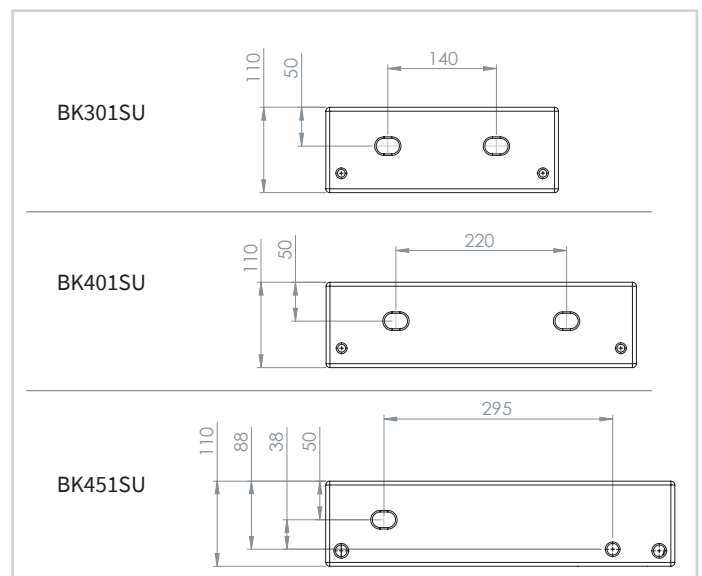
Tools Required (not supplied):

Drill + 6mm Drill Bit		Pencil	
Tape Measure		Safety Goggles	
Spirit Level		Water Based Silicone Sealant	
Adjustable Spanner			

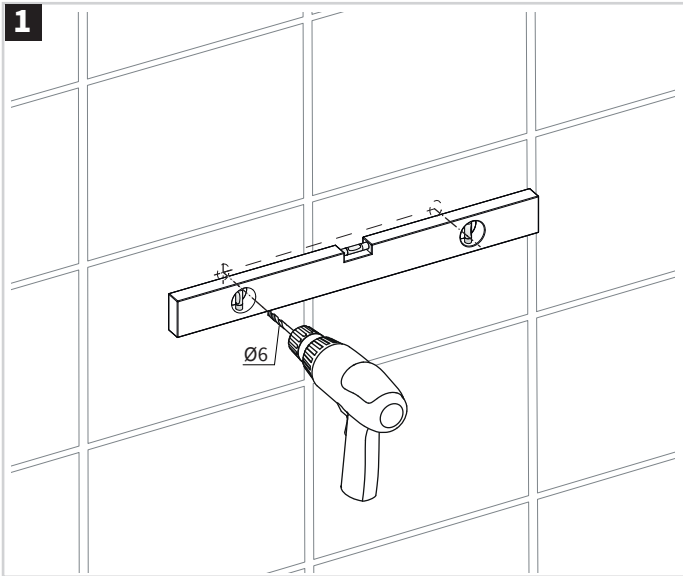
Important Pre-Installation Notes

Manufacturing tolerances may vary the measurements shown. Check that the distances indicated match the ceramic. Mark the location of the holes on the wall, ensuring the holes are not on the edges of a tile or on the tile grout.

Note: BK451SU basins do not have level holes. Check and make sure that the marks match the basin hole measurements.

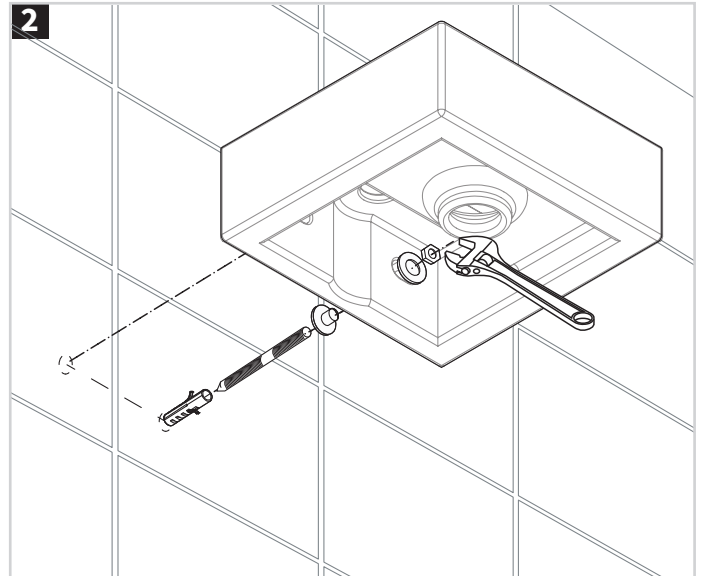


INSTALLATION

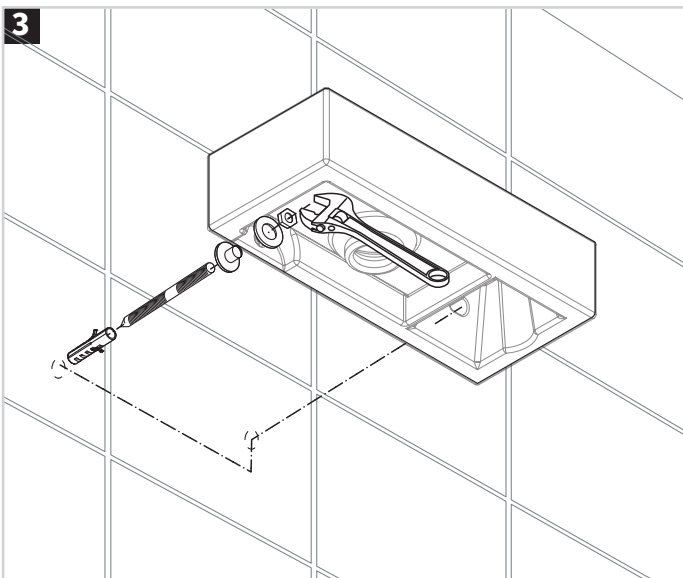


Use a spirit level to ensure the marks are level and drill a pilot hole using a 6mm drill bit suitable for the finished surface (i.e.. Diamond drill bit for ceramic or porcelain tiles)

Note: BK451SU basins do not have level holes. Check and make sure that the marks match the basin hole measurements.

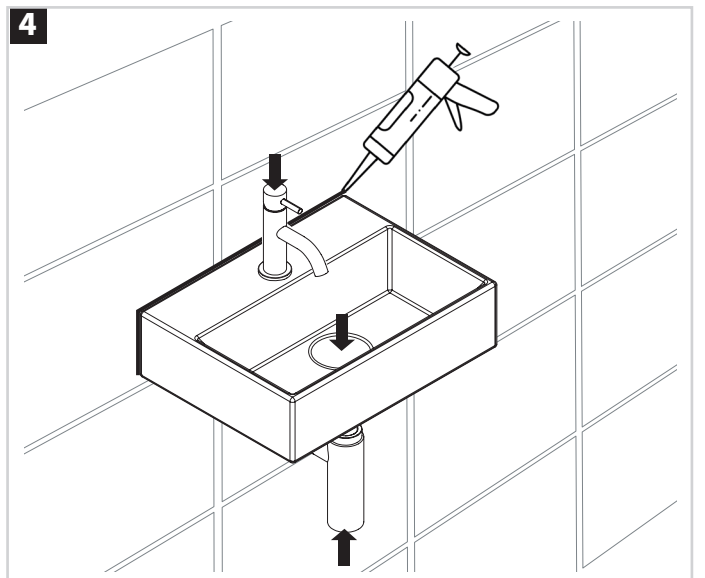


Measure and drill according to the wall fixings being used. Install the basins on the wall with the fixings provided, ensuring the order is as shown in the diagram. The fixings provided are suitable for solid walls only. For any other type of wall please use specialist fixings.



Measure and drill according to the wall fixings being used. Install the basins on the wall with the fixings provided, ensuring the order is as shown in the diagram. The fixings provided are suitable for solid walls only. For any other type of wall please use specialist fixings.

BK451SU basins must be fixed using the left side fixing hole first.



The tap and waste fittings may now be installed, following the manufacturer's instructions. Connect water and waste pipework and turn on the water supply to check for any leaks.

Apply silicone sealant around the back of the basin to keep watertight. Check the manufacturer's instructions for drying times.

CARE & MAINTENANCE

Clean regularly using with warm soapy water and polish with only a soft cloth.

Any residues from soap, toiletries etc. should be rinsed off straight after use.

Household bleaches and cleaners containing harsh chemicals may damage the surface finish.

Avoid using abrasive cloths, scouring pads, scrub sponges, steel wool or anything similar.

Lime-scale marks can be cleaned using a diluted lime-scale remover used in accordance with manufacturers instructions.