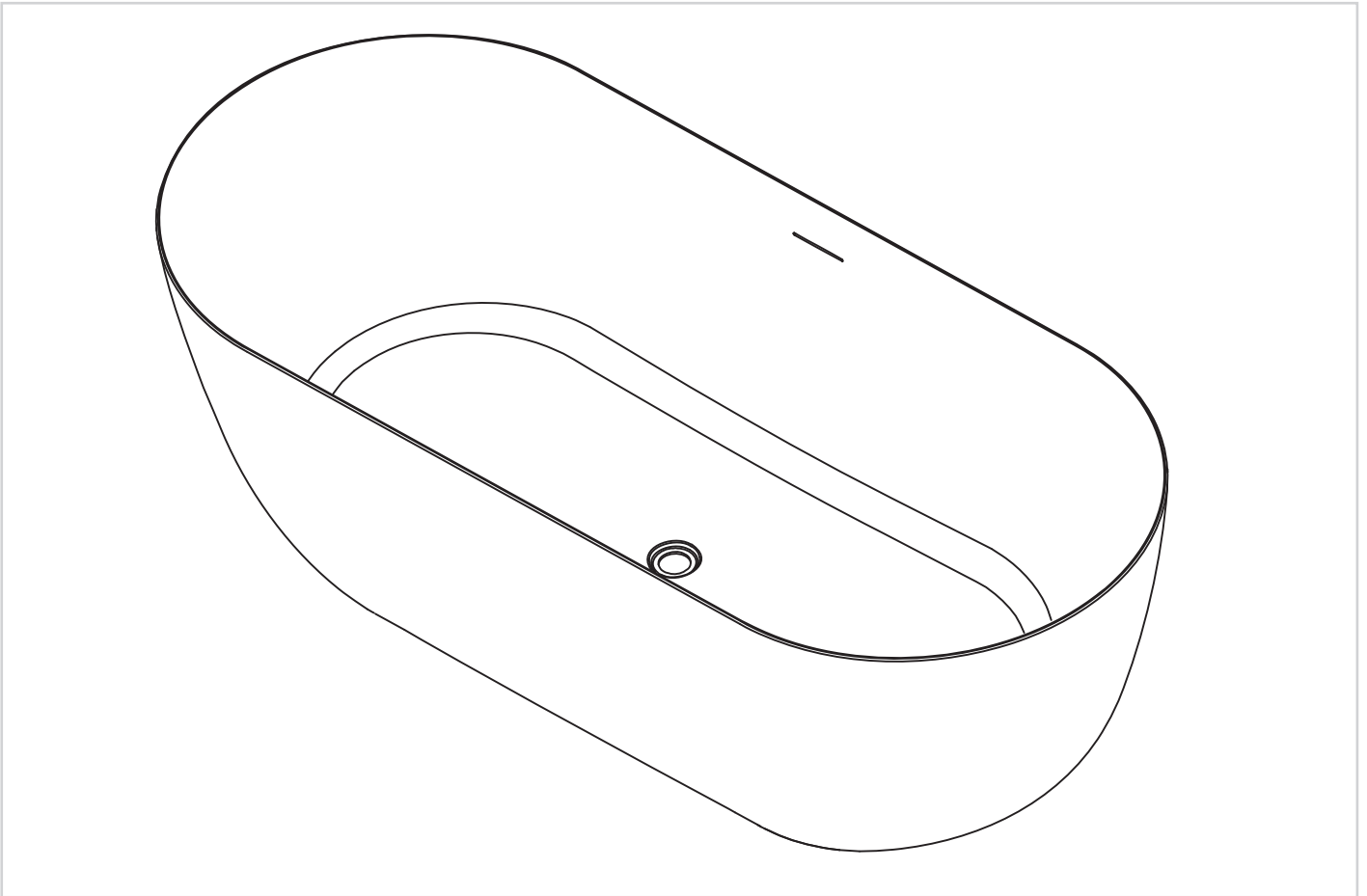


BATHS

Freestanding & Back to Wall Baths



PRODUCT CODES:

FSBCER1578W, FSBCER16978W, FSBCAR1575W, FSBCAR1775W, FSBCUR1580W, FSBCUR1780W



IMPORTANT INFORMATION BEFORE YOU START

Please read carefully and keep this information for further reference.

Thank you for buying a Crosswater Product. To ensure that it works to its full potential, it needs to be fitted correctly.

Check the contents of the pack carefully before installation.

Crosswater will not be held responsible for any de-fit/re-fit costs where faulty product has been fitted. If any fault is found with materials or workmanship, it must be reported immediately to the manufacturer. Remedial action will be taken, based on information received, on condition that:

1. Full details are supplied to the manufacturer.
2. The product has not been modified or tampered with.

3. The manufacturer is informed of any damage/shortages prior to installation.

4. The product has not been installed, or attempts have been made to install.

We do not accept responsibility for any problems that may occur through incorrect installation. This product should only be installed by a suitably qualified plumber/installer. Should the installation be completed by a non-qualified person any product guarantee may be considered invalid. For a claim made under our warranty, written certification of your installer's qualifications may be required.

BEFORE YOU START

Important Pre-Installation Notes

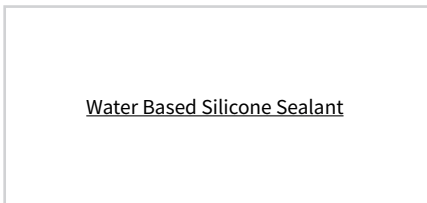
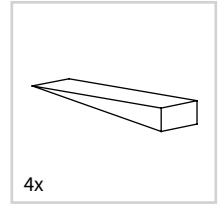
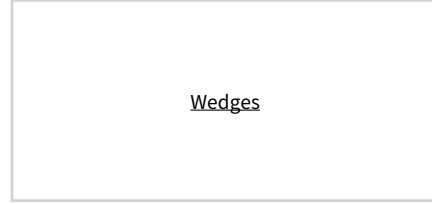
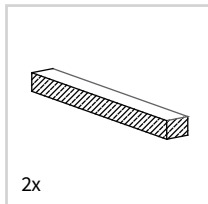
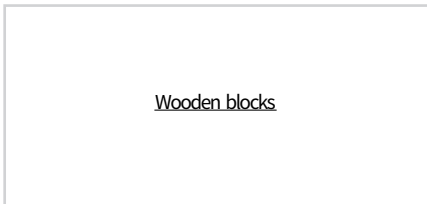
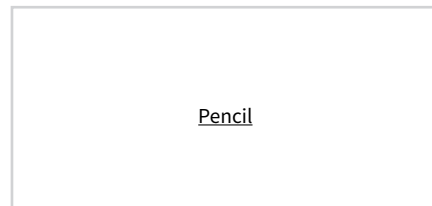
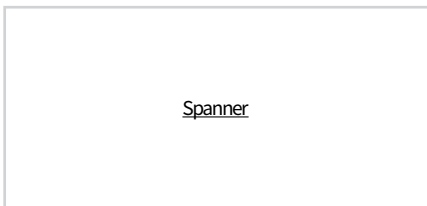
Remove all packaging and check the fitting for damage before starting installation.

Before starting any installation please consider the following: before drilling into walls, check that there are no hidden electrical wires, cables or water supply pipes. This can be checked with the aid of an electronic detector.

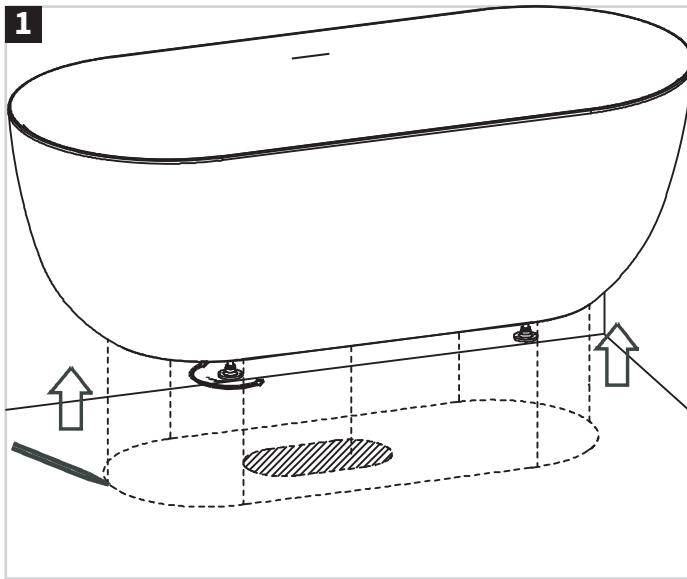
If power tools are used do not forget to:

- Wear eye protection
- Unplug equipment after use

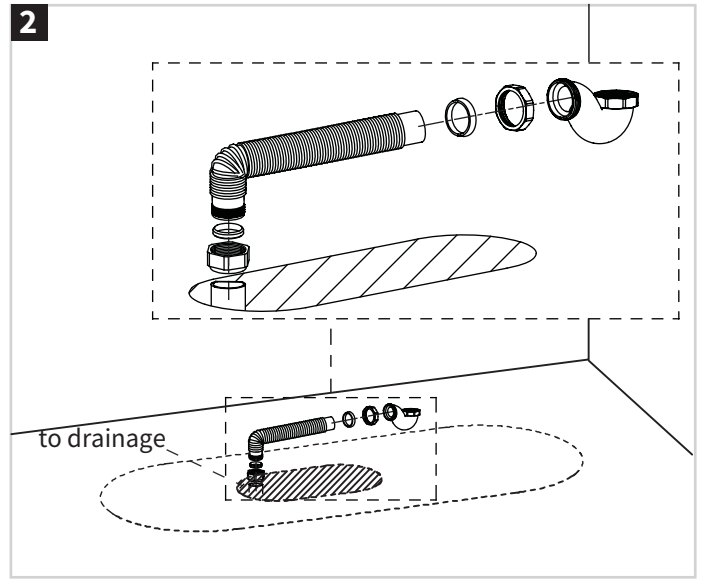
Tools Required (not supplied):



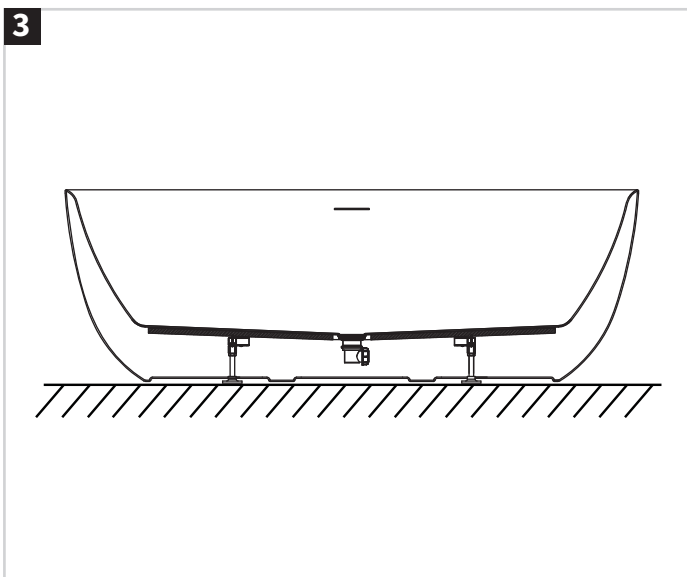
INSTALLATION



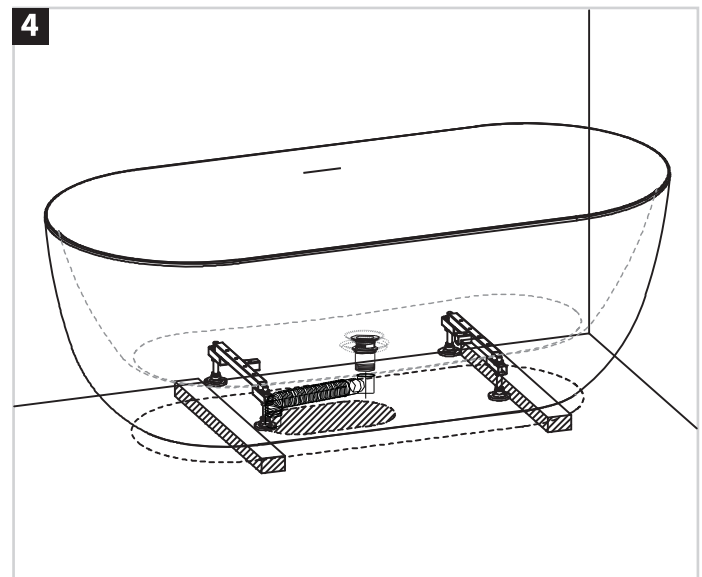
This bath must be installed on a flat and level surface. Remove any humps from the floor before installing. Under floor access is required for plumbing of bath tub waste.



Waste connection is dependant on the site situation; final decision about installation of waste connection should be taken by a suitably qualified person.

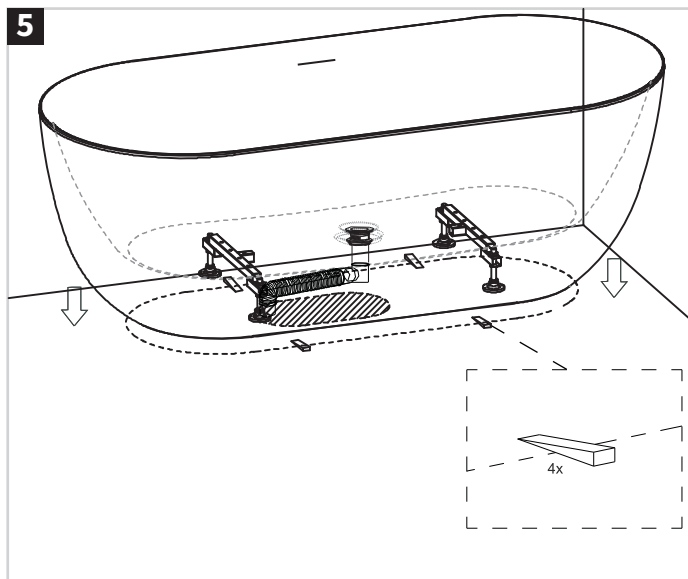


Adjust the legs to ensure they are level with the bottom edge of the bath.

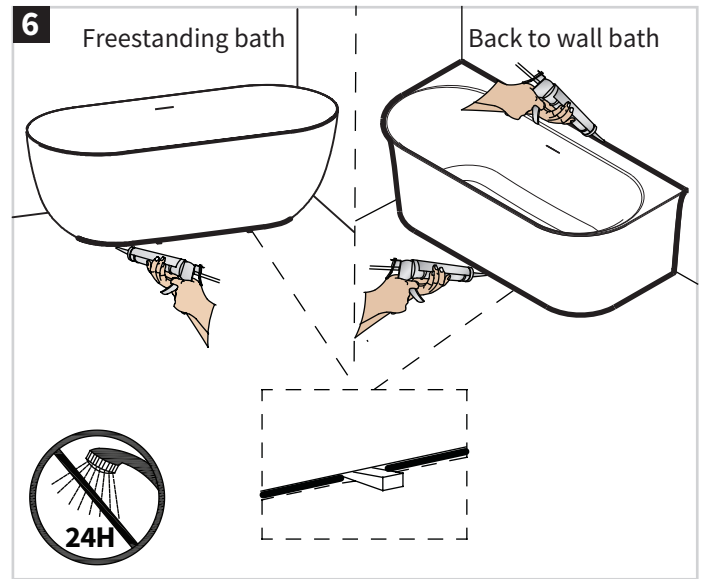


Place the bath on two wooden blocks over the waste connections. Connect the waste. Fill the bath with water and check for leaks from the waste before removing the blocks. Avoid the leg set underneath the bath when you place the bath on two wooden blocks.

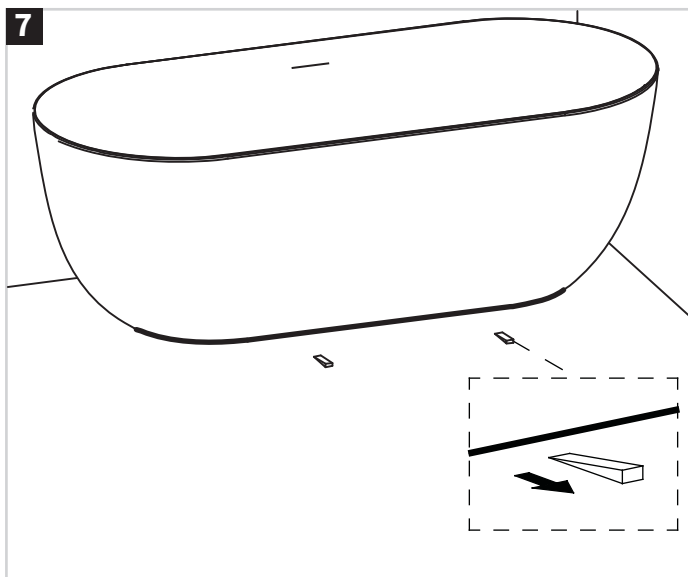
INSTALLATION



Place the wedges in position.



Freestanding bath: Apply a bead of clear silicone sealant around the bottom of the bath to secure it to the floor.
 Back to wall bath: Apply a bead of clear silicone sealant on the joint between the bath and the wall.
 Should maintenance access be needed the silicone can be released by cutting round it with a sharp knife.



The wedges can now be disposed off.

CARE & MAINTENANCE

Repairing a scratch: If any scratches occur during installation these can be removed by rubbing with a 1500+ grit waterproof abrasive paper and water. Re-polish the surface afterwards using a neutral automotive colour restorer or household metal polish. For best results limit sanding to the smallest possible area around the scratch. It may be possible to polish very fine scratches away without using abrasive papers: scrubbing gently with a soft brush or plastic pad (not metal scouring pad) and a mildly abrasive cream cleaner. Afterwards scrub the whole area with plenty of clean water and re-polish as before. It is advisable always to run in some cold water before turning on the hot tap. We recommend the hot water be no more than 65 degrees C. Extreme heat such as that generated by cigarettes or portable heaters can damage Acrylic surfaces. Do not use such items near your bath.