

Measurements in millimetres mm

Information updated March 2021

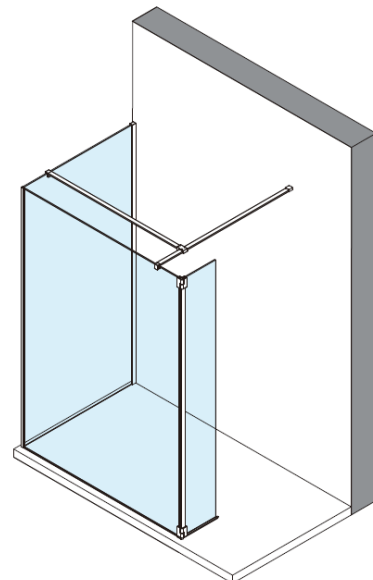
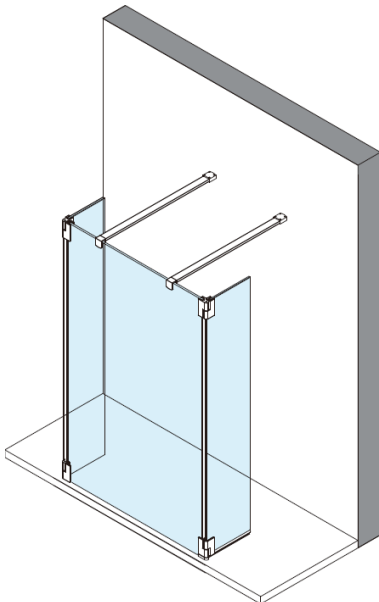
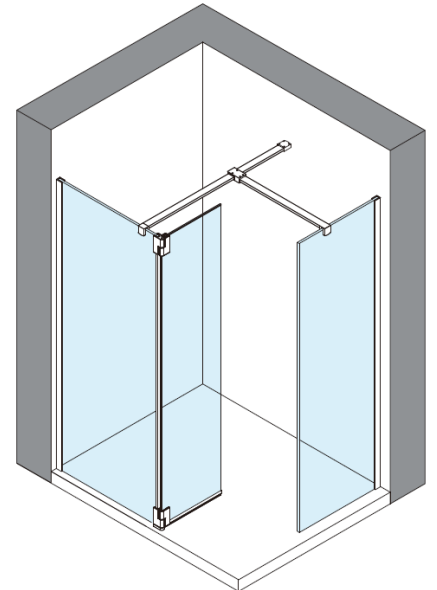
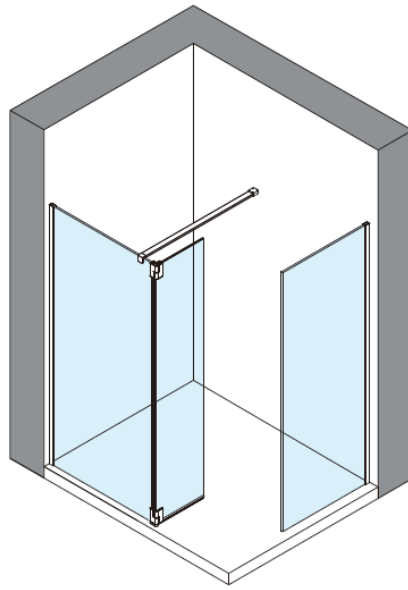
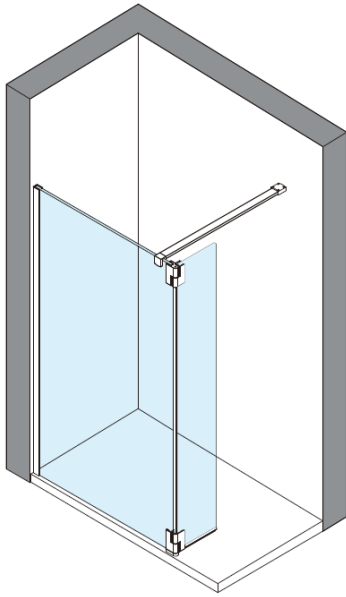
Tel 0345 873 8840

crosswater[®]

GALLERY 10

8mm Toughened Safety Glass

Hinged Deflector Panel 180°



Toughened Glass
Strong and safe



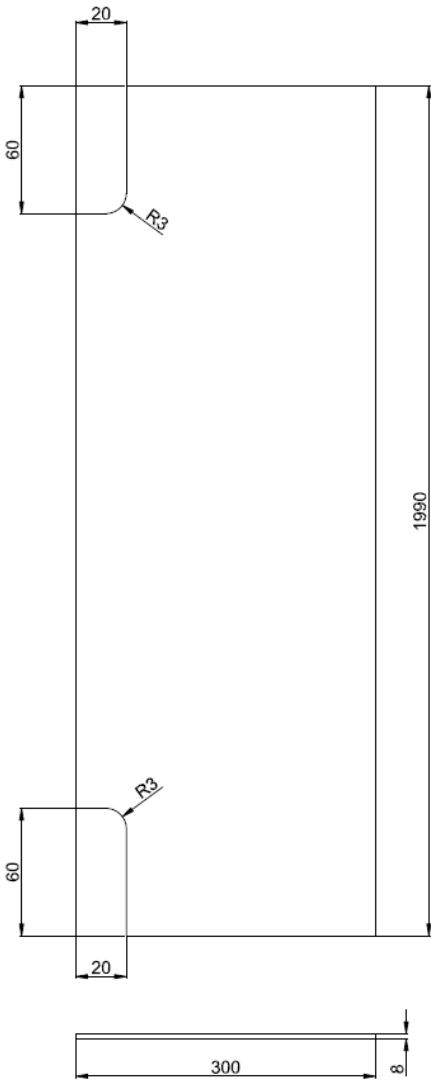
Protective Finish
Easy to clean



Lifetime Guarantee
Peace of mind

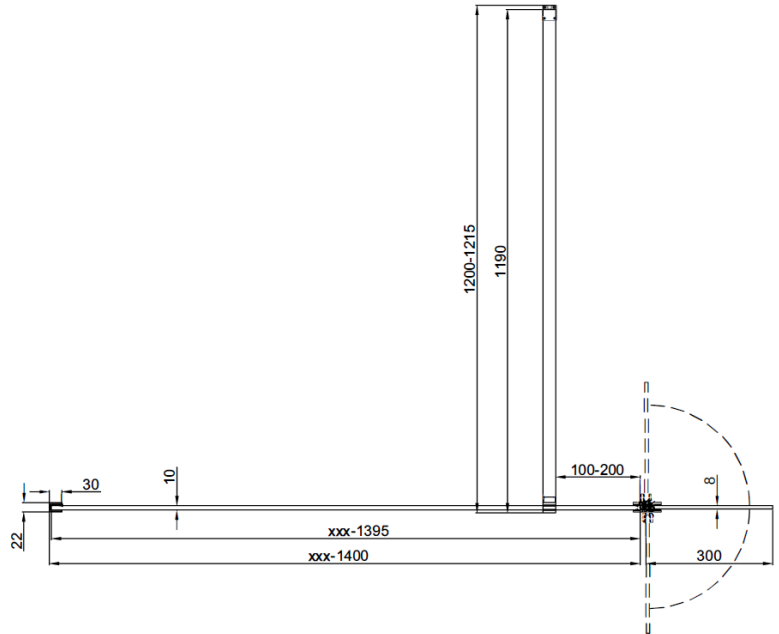


BS EN 14428

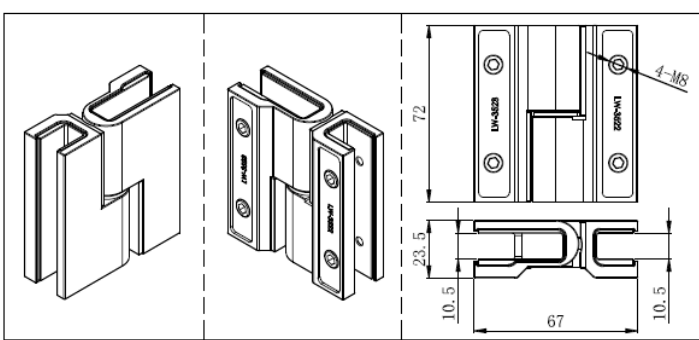


CODE	Height mm	Width mm	Glass Thickness mm
GRDEFLEC300	300	1990	8

Requires GRDEFHINGE



CODE	Gallery 10	Size w x h x d
	Colour	mm
GRDEFHINGEF	Brushed Brass	67 x 72 x 23.5
GRDEFHINGEMB	Matt Black	67 x 72 x 23.5
GRDEFHINGEPSS	Polished Stainless Steel	67 x 72 x 23.5
GRDEFHINGEV	Brushed Stainless Steel	67 x 72 x 23.5



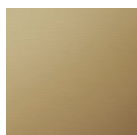
Toughened Glass
Strong and safe



Protective Finish
Easy to clean



Lifetime Guarantee
Peace of mind



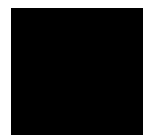
Brushed Brass



Polished Stainless



Brushed Stainless



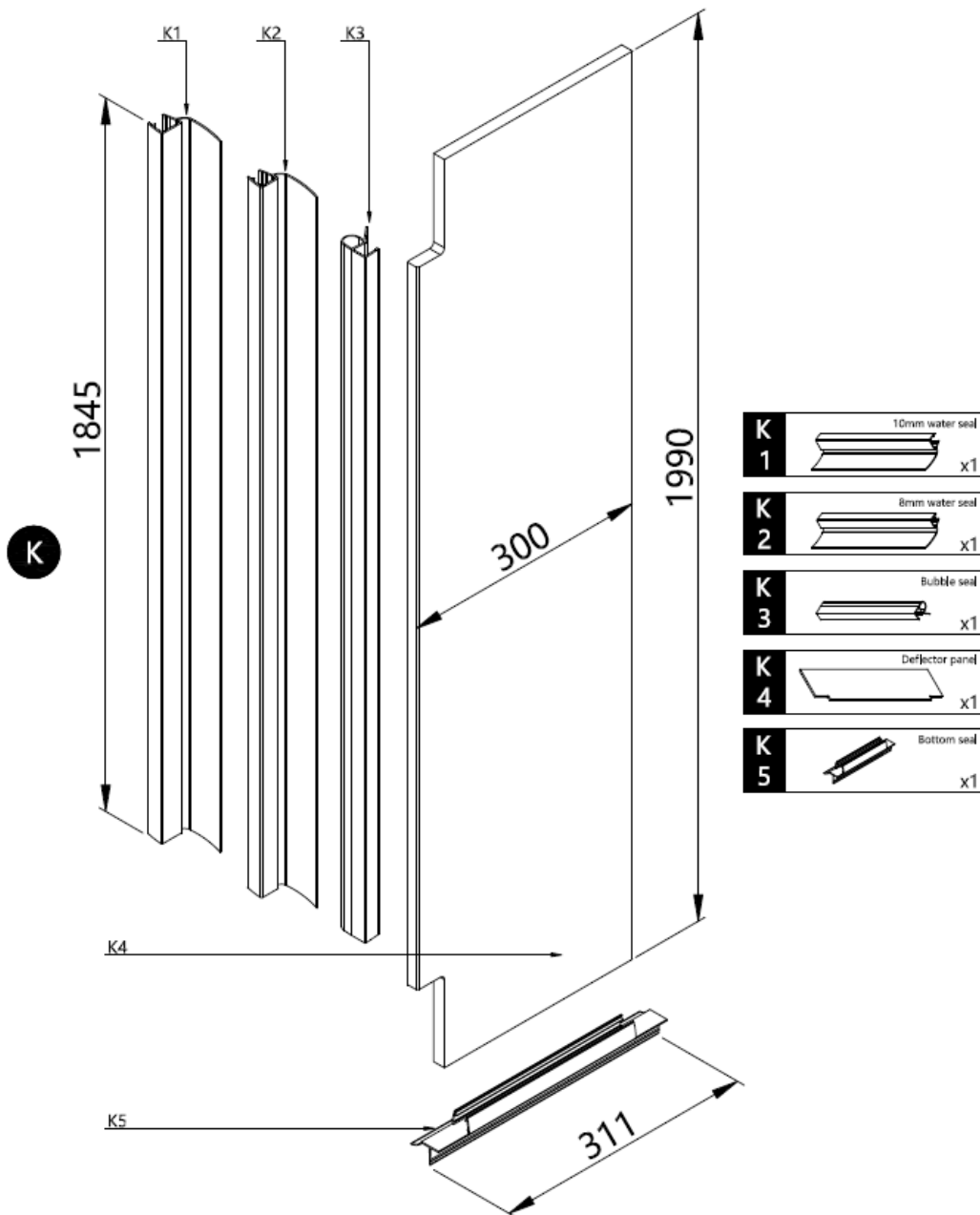
Matt Black

GALLERY 10

GRDEFLEC300

8mm Toughened Safety Glass

Hinged Deflector Panel 180°



Toughened Glass
Strong and safe



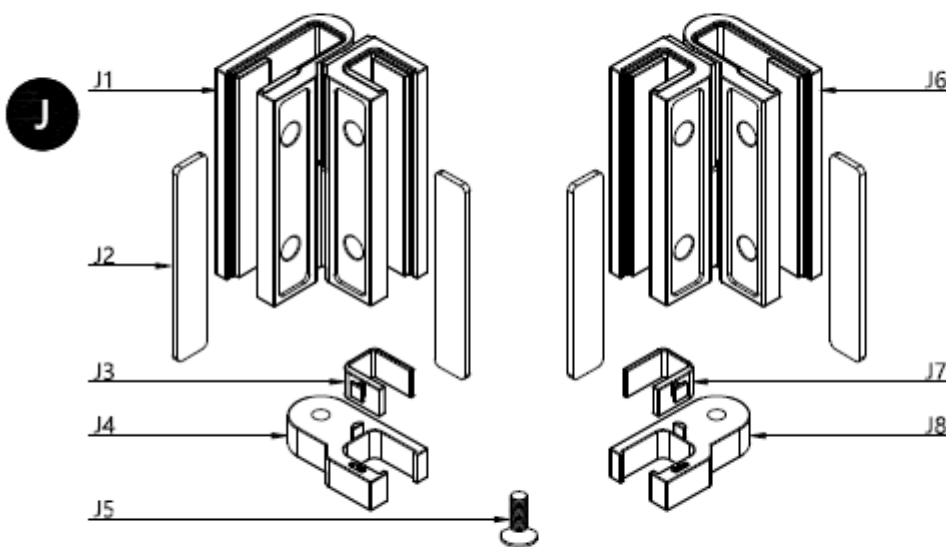
Protective Finish
Easy to clean








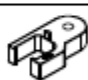



Lifetime Guarantee
Peace of mind

GRDEFHINGEF—GRDEFHINGEMB—GRDEFHINGEPSS—GRDEFHINGEV

Deflector Hinge 180°



- J 1**  Deflector hinge L x1
- J 2**  Screw cover x4
- J 3**  Hinge seat cover L x1
- J 4**  Hinge seat L x1
- J 5**  5x12mm screw x1
- J 6**  Deflector hinge R x1
- J 7**  Hinge seat cover R x1
- J 8**  Hinge seat R x1
- J 9**  Allen Key
4mm 3mm x1



Toughened Glass
Strong and safe



Protective Finish
Easy to clean



Lifetime Guarantee
Peace of mind



Brushed Brass



Polished Stainless



Brushed Stainless



Matt Black

GALLERY 10

Fixed Walk In Panels

Bracing Bar Options



Glass to Wall Bracing Bar

1200mm long. Can support panels up to 1400mm.



Glass to Ceiling Bracing Bar

600mm long. Can support panels up to 1000mm.



T Bracing Bar

1200 x 1200mm. Can support panels up to 1000mm.



Toughened Glass
Strong and safe



Protective Finish
Easy to clean



Lifetime Guarantee
Peace of mind



Brushed Brass



Polished Stainless



Brushed Stainless



Matt Black