

Measurements in millimetres mm

Information updated March 2021

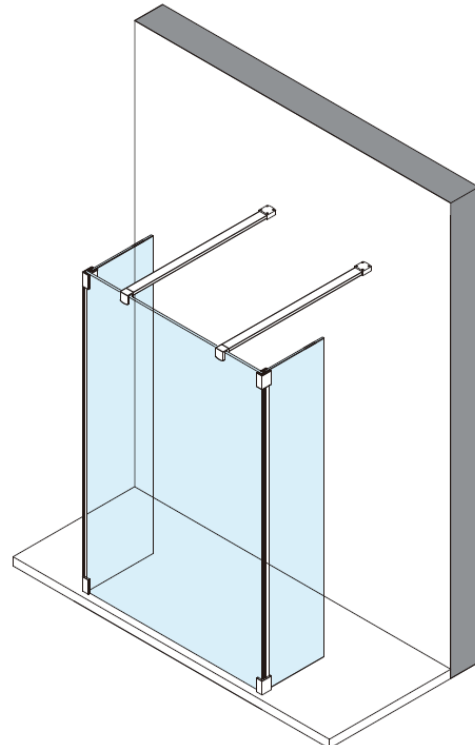
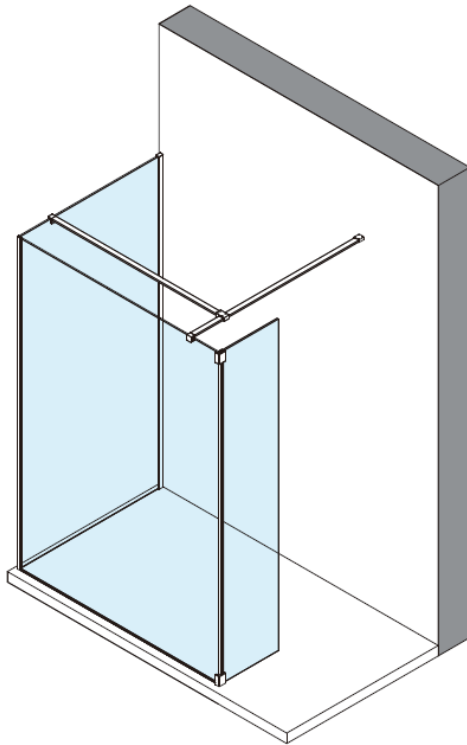
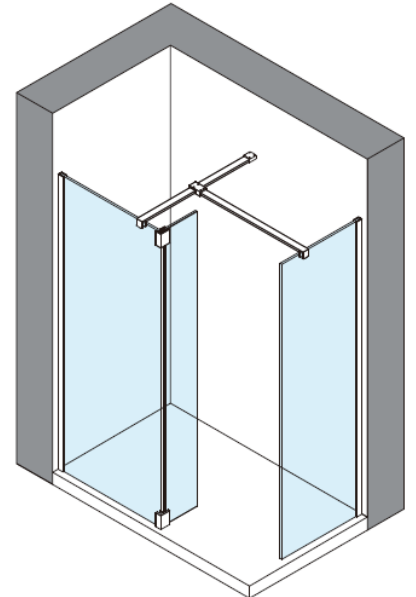
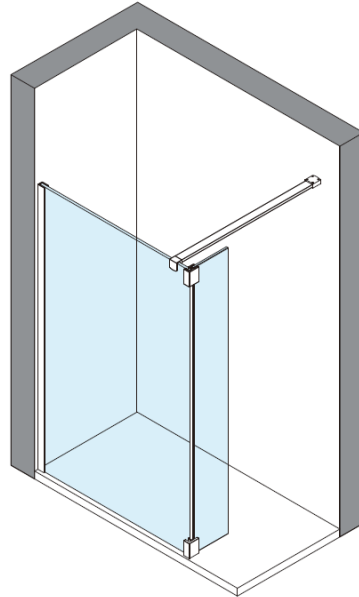
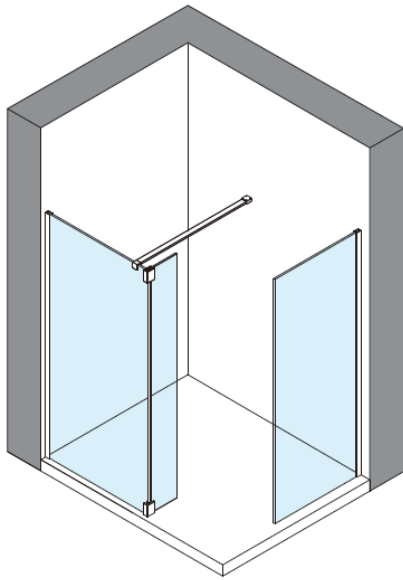
Tel 0345 873 8840

crosswater[™]

GALLERY 10

10mm Toughened Safety Glass

Fixed Deflector Panel



Toughened Glass
Strong and safe



Protective Finish
Easy to clean

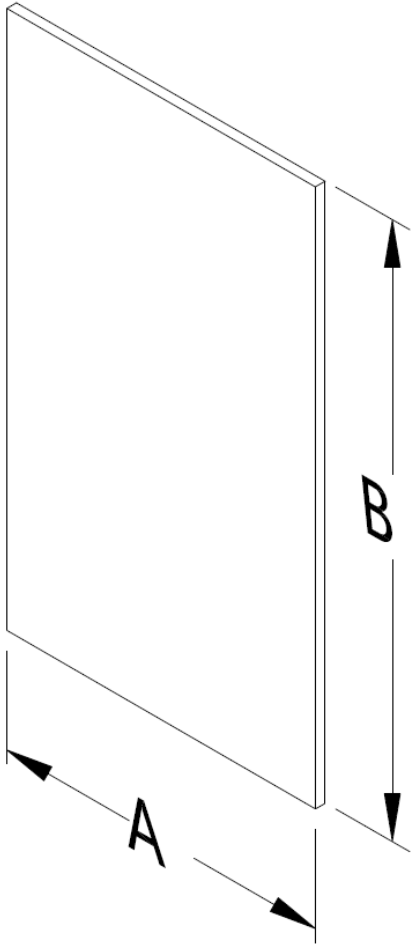


Lifetime Guarantee
Peace of mind

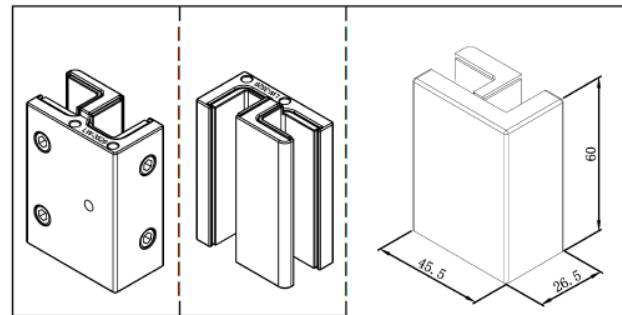
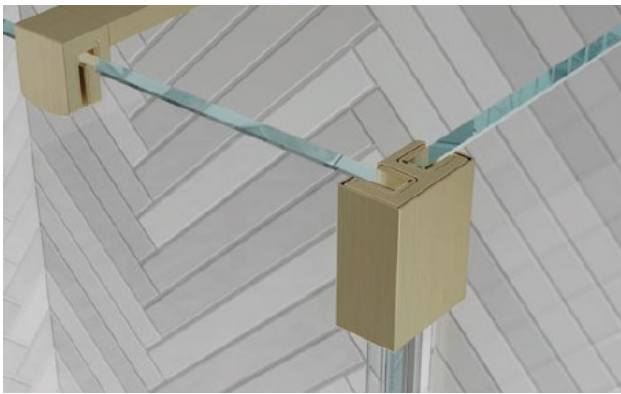
**UK
CA**

CE

BS EN 14428



CODE	A	B
	mm	mm
GR030010CF	295	1997
GR040010CF	395	1997



CODE	Gallery 10	Size w x h x d
	Colour	mm
GRBRACKF	Brushed Brass	26.5 x 45.5 x 60
GRBRACKMB	Matt Black	26.5 x 45.5 x 60
GRBRACKPSS	Polished Stainless Steel	26.5 x 45.5 x 60
GRBRACKPSS	Brushed Stainless Steel	26.5 x 45.5 x 60
GRBUBBLESEAL	Clear PVC	1880 length



Toughened Glass
Strong and safe



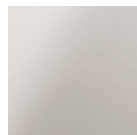
Protective Finish
Easy to clean



Lifetime Guarantee
Peace of mind



Brushed Brass



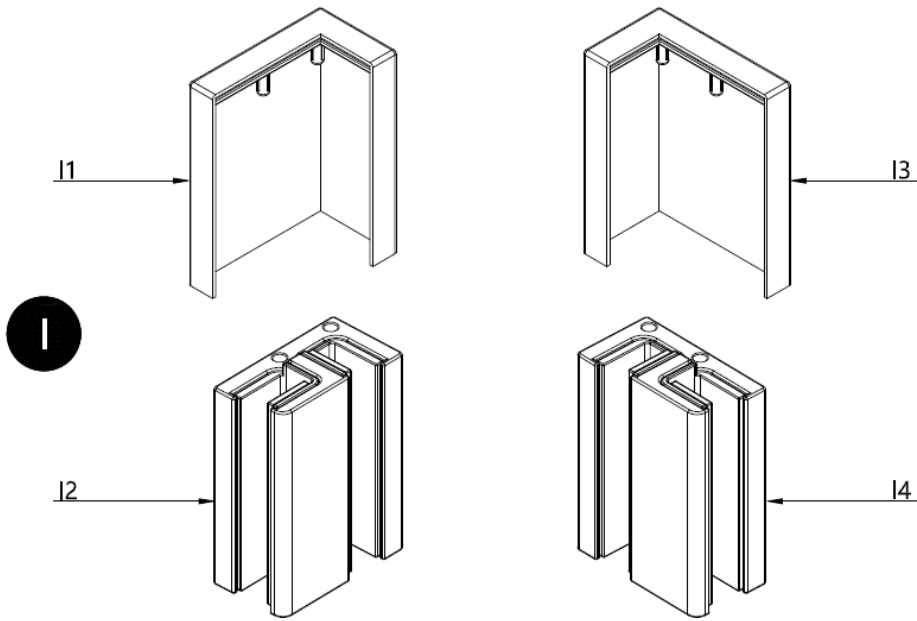
Polished Stainless



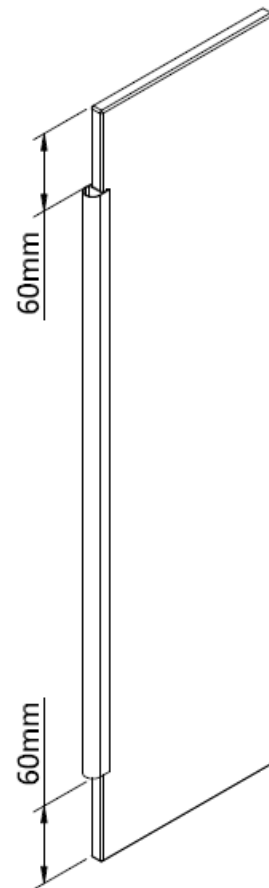
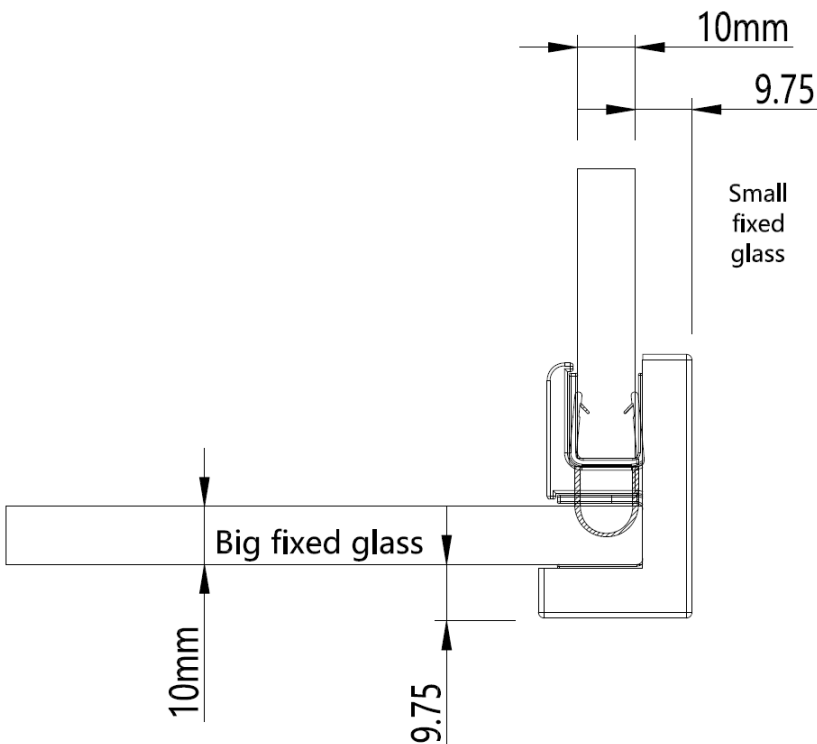
Brushed Stainless



Matt Black



- | | | | |
|---|--|------------------------|----|
| 1 | | Corner bracket cover L | x1 |
| 2 | | Corner bracket L | x1 |
| 3 | | Corner bracket cover R | x1 |
| 4 | | Corner bracket R | x1 |
| 5 | | Allen Key
4mm | x1 |



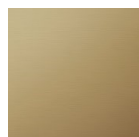
Toughened Glass
Strong and safe



Protective Finish
Easy to clean



Lifetime Guarantee
Peace of mind



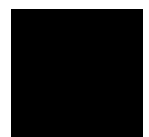
Brushed Brass



Polished Stainless



Brushed Stainless



Matt Black

GALLERY 10

Fixed Walk In Panels

Bracing Bar Options



Glass to Wall Bracing Bar

1200mm long. Can support panels up to 1400mm.



Glass to Ceiling Bracing Bar

600mm long. Can support panels up to 1000mm.



T Bracing Bar

1200 x 1200mm. Can support panels up to 1000mm.



Toughened Glass
Strong and safe



Protective Finish
Easy to clean



Lifetime Guarantee
Peace of mind



Brushed Brass



Polished Stainless



Brushed Stainless



Matt Black