

INTRODUCTION

**Please read these instructions carefully and keep in a safe place for future reference.
Use only the installation fittings supplied with the toilet.**

The installation must comply with regulations of the Local Water Authority as contained in their bylaws.

All products are manufactured using materials tested and approved under EN997-CL2-4.5/3I

These hints have been prepared for your guidance, you must exercise due care at all times.
We do not accept responsibility for any problems that may occur through incorrect installation.

This product should only be fitted by a qualified plumber to NVQ (National Vocational Qualification) or SNVQ (Scottish National Vocational Qualification) Level 3. Should the installation be completed by a non-qualified person then the guarantee may be considered invalid. For a claim made under our warranty written certification of your installers credentials can be required.

For further information or to find a qualified installer in your area please visit the Institute of Plumbers website - www.iphe.org.uk

QUALIFICATIONS

At present, to be a plumber you need to follow the National Vocational Qualification (NVQ) route (Scottish National Vocational Qualification - SNVQ - in Scotland). These qualifications are made up of theory and practical work in the classroom/purpose built training facility and work based experience with a working plumber. Colleges should help students find a work placement, although many students organise it themselves.

The S/NVQ qualification works in levels. All recently qualified plumbers should hold S/NVQ Level 2 as basic with Level 3 as the preferred level. Level 2 will give you the foundation you need for a career in plumbing and teach you domestic plumbing to a satisfactory level. Level 3 is more comprehensive and deals with domestic, commercial and industrial plumbing along with aspects such as gas - if you want to one day set up your own business, this is the level to reach. The Institute of Plumbing and Heating Engineering, and the industry as a whole recommends that all plumbers reach a minimum of Level 3.

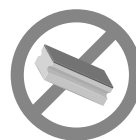
Reaching Level 3 has other advantages. The Institute runs a Master Plumber Certificate, which only those attaining Level 3 or equivalent can reach as long as they have the relevant experience as well. Those with S/NVQ Level 3 can (once in membership with the Institute for five years as a Member MIPHE) gain Engineering Technician EngTech status with the Engineering Council (UK).

MAINTENANCE

We recommend for regular cleaning detergents specially designed to clean ceramic surfaces.

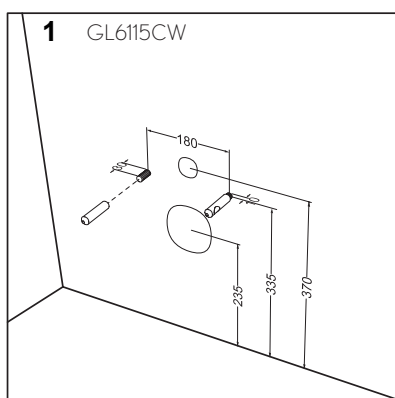
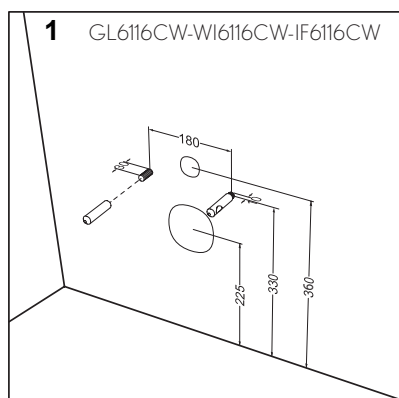
Do not use products which have not been tested and have not been recommended to use on ceramics, such as acids, corrosive and abrasive products. These can and will damage the ceramic.

To remove or prevent the build up of limescale deposits, clean regularly. Any build up of limescale can be removed using a good quality limescale remover and a toilet cleaning brush. Important bleach will not remove limescale.

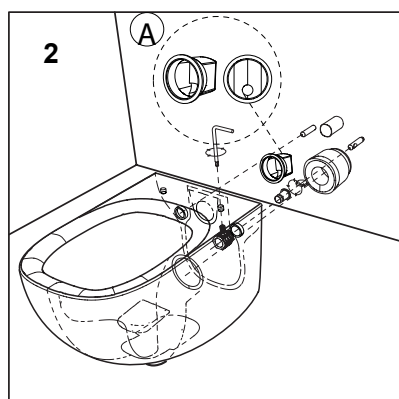


Do not use an abrasive cleaner

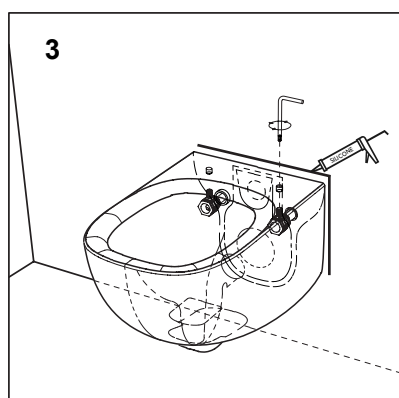
INSTALLATION INSTRUCTIONS



1. Install installation frame in accordance with manufacturers instructions. Set out as detailed to the left



2. Fit wall fixings into the WC as shown. Ensure the flat section on the fixing stud point upward.



3. Locate the WC on the fixing studs and using the key provided securely tighten each wall fitting.

Using clear silicone, seal wall to toilet joins. Leave to dry for 24 hours before use.

IMPORTANT
Set cistern flush to 4.5/3L