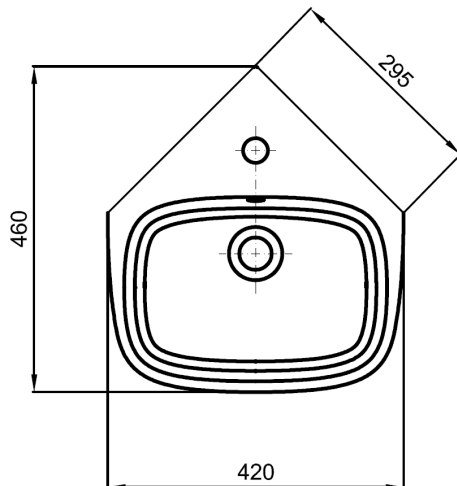
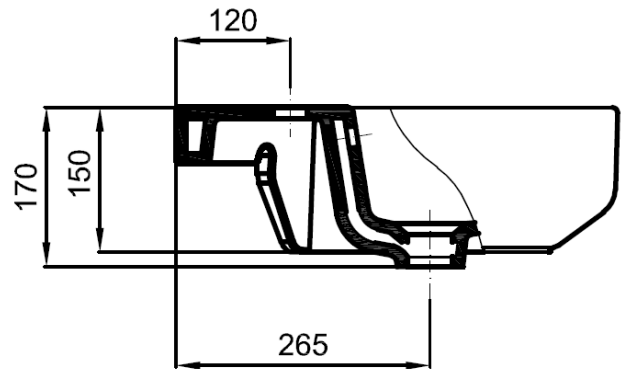
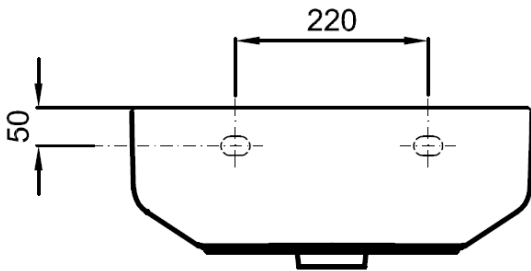


KAI S Wall Hung Corner Basin



TECHNICAL DATA		SPECIFICATION
CODE No	KLSC01SCW	Wall hung basin
Recommended use	Domestic, hotel, residential	EN 31/EN 14688 – CL 0
Material	Fine Fire Clay	Dimensions w 400 x d 430 x h 150mm
Standards	EN 14688 – CL 0	1 centre tap hole, overflow
	EN31	Special feature: overflow channel glazed
Colour	White only	
Specification	1 centre tap hole Over flow, including chrome overflow cover	
Fixing	Wall Mounted (2x hanging holes) fixing kit included	
Weight	11kg	
Warranty	2 years	



Sizes detailed could have a variation of about +/-5 % due to the changes to material characteristics during the firing processes. Exact measurements for individual installations can only be taken from the finished ceramic