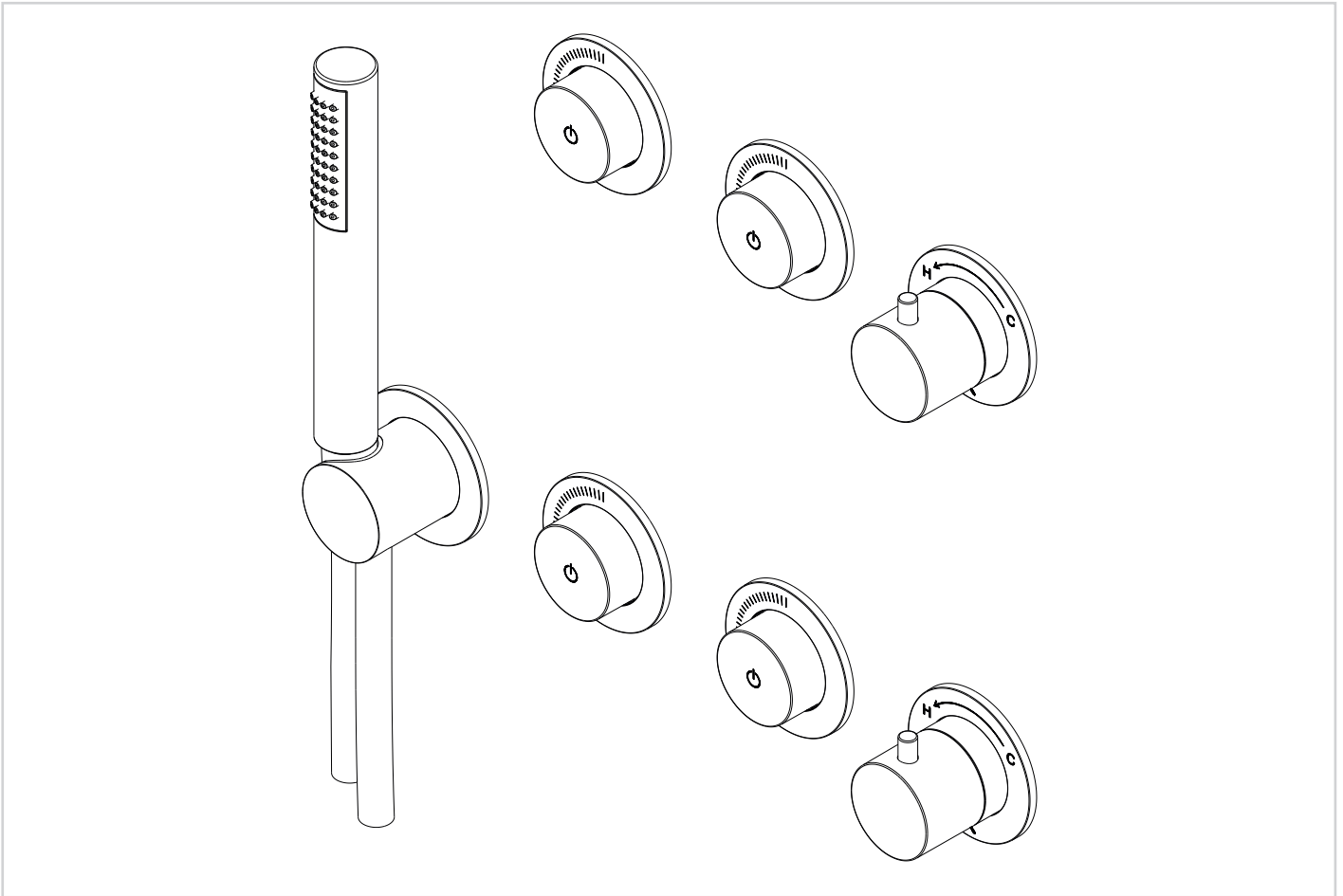


MODULE PUSH

Shower Range



PRODUCT CODES:

PROMODPUSH2000LBPx, PROMODPUSH2701LBPx



IMPORTANT INFORMATION BEFORE YOU START

Please read carefully and keep this information for further reference.

All products manufactured and supplied by Crosswater are safe provided they are installed, used correctly and receive regular maintenance in accordance with these instructions. The product should only be installed by a suitably qualified plumber/installer.

These fittings need to be installed in accordance with, and meet the requirements of the Water Supply (Water Fittings) Regulations 1999 and Scottish Byelaws 2004.

Operating pressure range: Minimum 1 bar, Maximum 5.0 bar.

Maximum static pressure: 10.0 bar.

Note: Nominally equal (balanced) inlet supply pressures are recommended for optimum performance with mixer taps.

Designed for water systems of type 1 and 2 general technical specifications and to be used within systems designed to BS 6700.

BS 6700 recommends the temperature of stored water should never exceed 65°C.

A stored water temperature of 60°C is considered sufficient to meet all normal requirements and will minimise the build up of lime scale in hard water areas.

BEFORE YOU START

Important Pre-Installation Notes

Remove all packaging and check the fitting for damage before starting installation.

Warning: Before starting any installation please consider the following: before drilling into walls, check that there are no hidden electrical wires, cables or water supply pipes. This can be checked with the aid of an electronic detector.

If power tools are used do not forget to: -

Wear eye protection

Unplug equipment after use

Important:

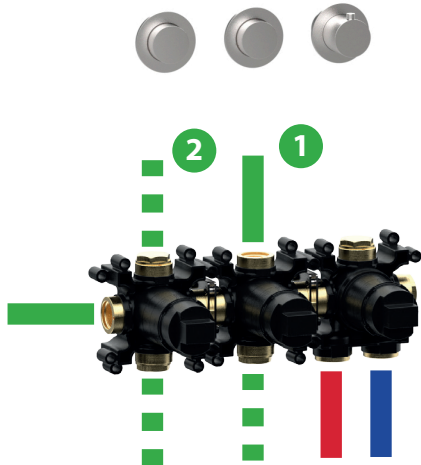
Remember to turn off the mains water supply before connecting to any existing pipe work. Fitting isolating valves to the inlet feeds is recommended for ease of maintenance.

Warning: Before installing the new fitting it is essential that you thoroughly flush through the pipework in order to remove any remaining swarf, solder, etc. Failure to carry out this procedure could cause problems or damage to the workings of the fitting.

Take care when handling the 'flexible connecting pipes', do not bend, twist or crush them.

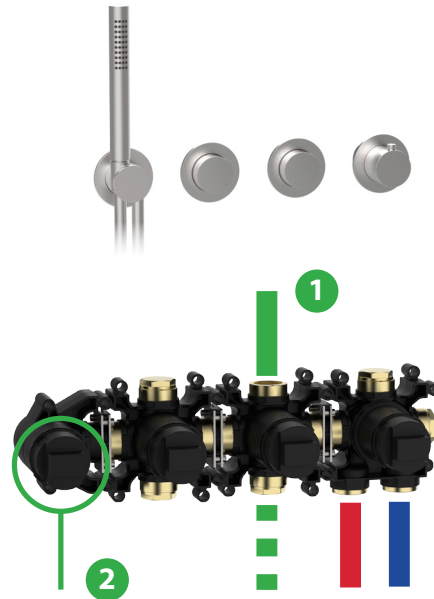
TECHNICAL INFORMATION

1



E176908		
PRESSURE	FLOW RATE L/min	
	EXIT 1	EXIT 2
0.5	8	7.5
1	12.2	11.7
2	17.6	17.2
3	21.7	21.2
4	25	24.5
5	28	27.3

2



E176910		
PRESSURE	FLOW RATE L/min	
	EXIT 1	EXIT 2
0.5	8	7.5
1	12.2	11.7
2	17.6	17.2
3	21.7	21.2
4	25	24.5
5	28	27.3

3



MIN 0.5 BAR
MAX 5 BAR
BEST 3 BAR



In case of water pressure higher than 5 bar we recommend installing pressure reducers



MIN 3°C
BEST 15°C



MAX 70°C
BEST 65°C

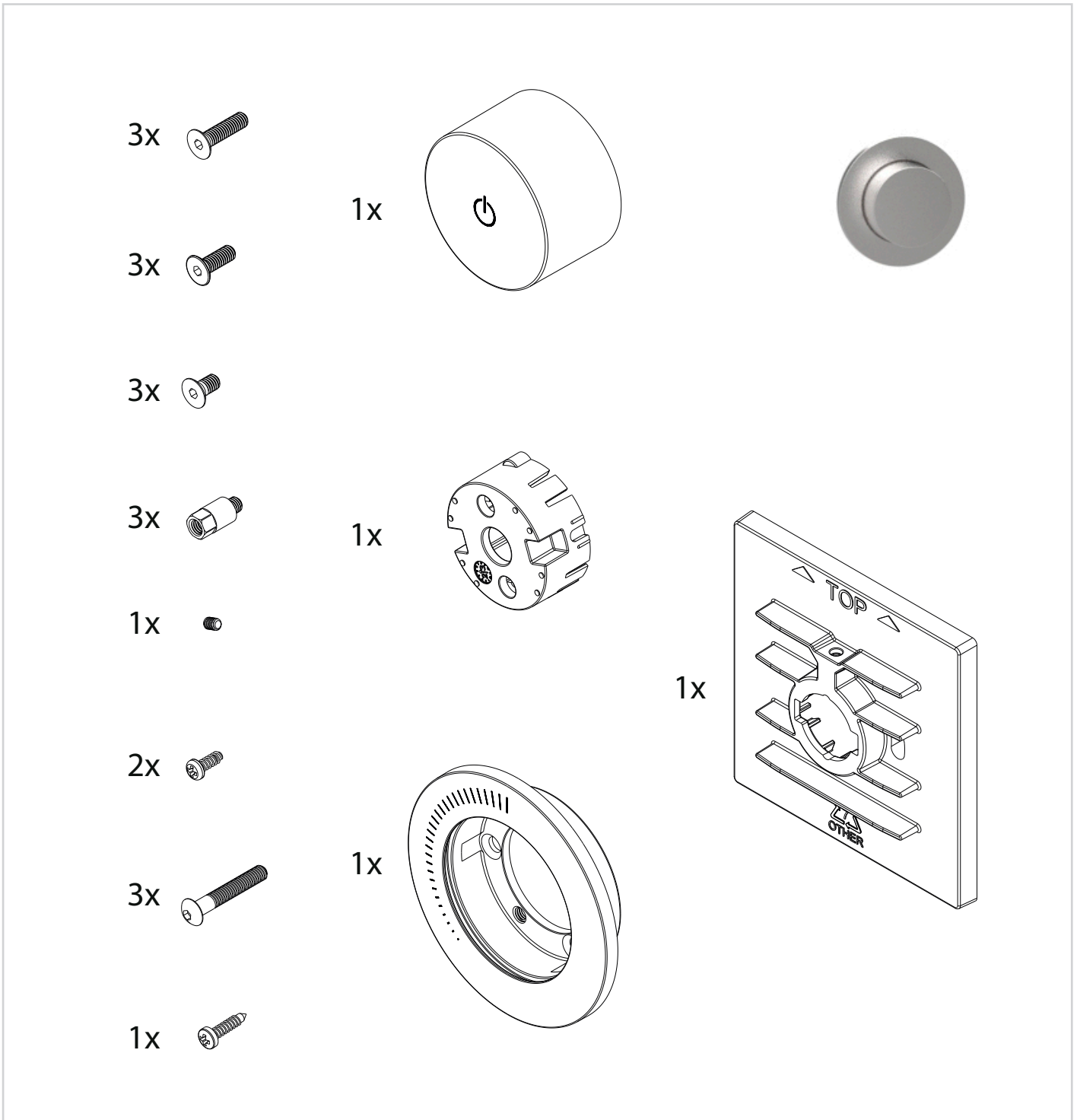


SAFETY LOCK AT 41°C

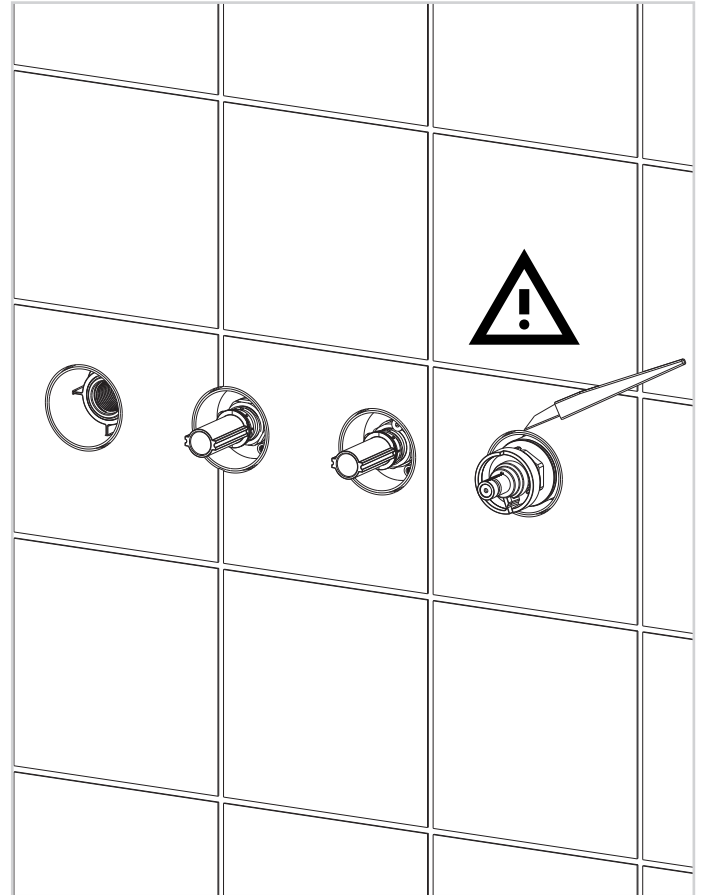
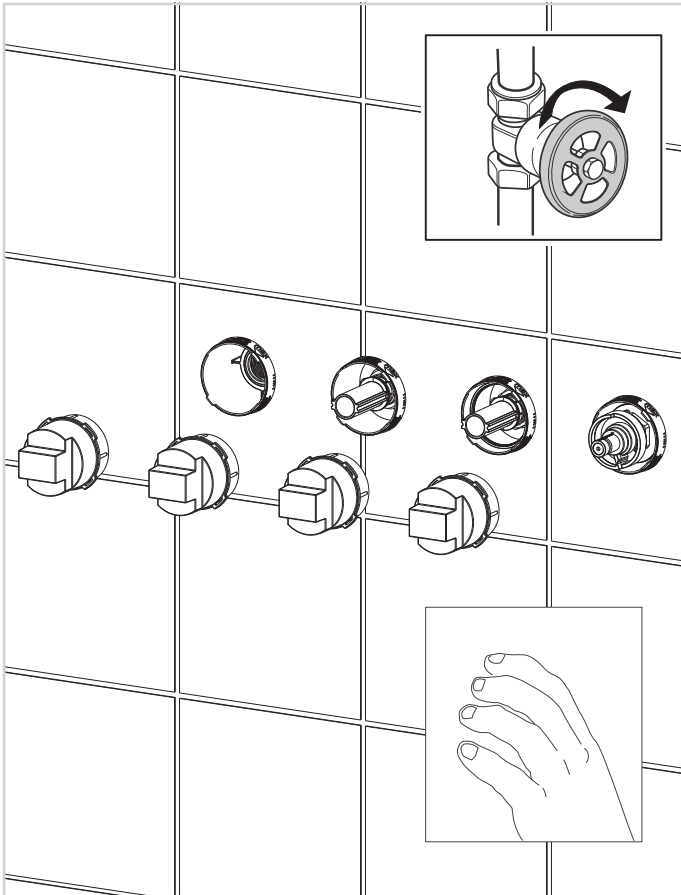


RECOMMENDED THERMAL DIFFERENTIAL 50°C

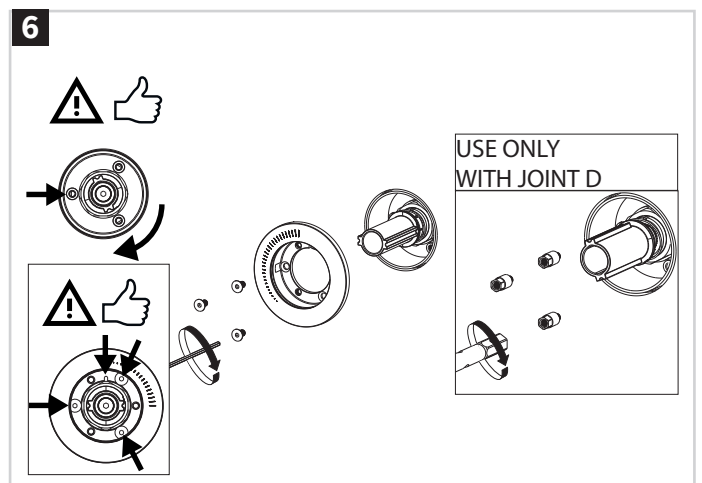
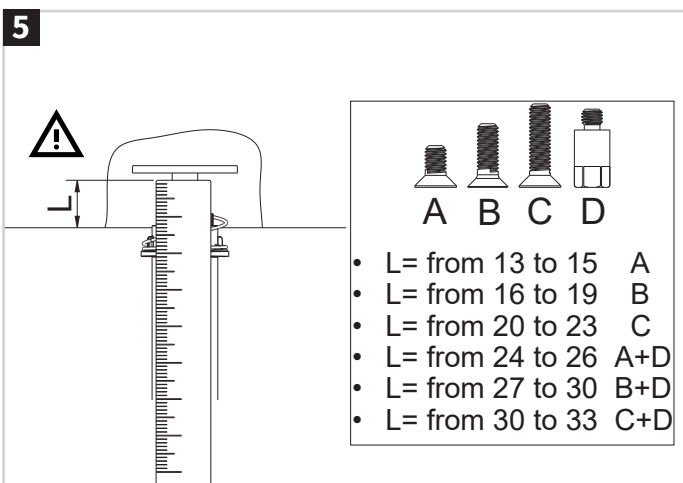
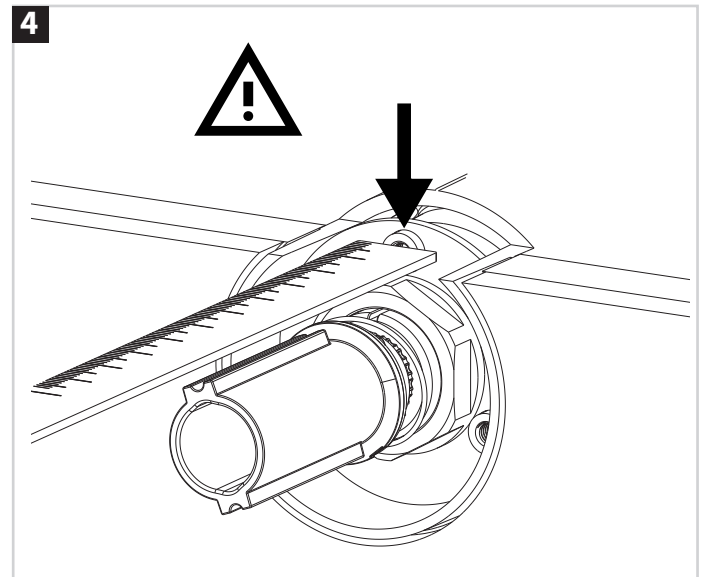
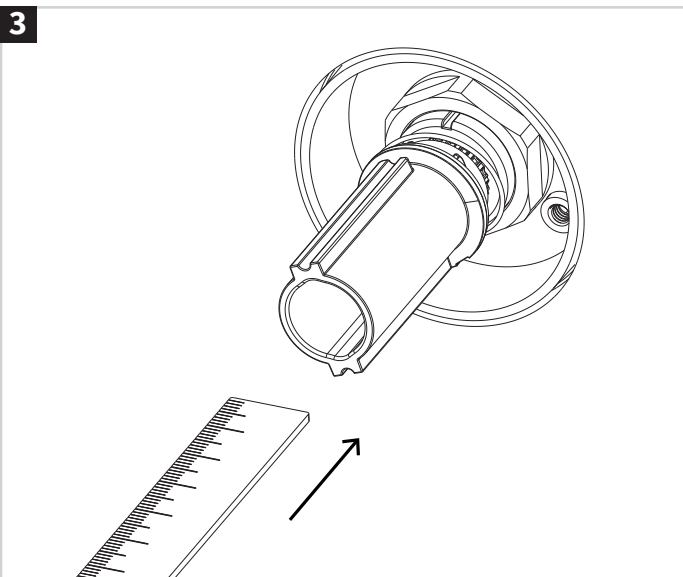
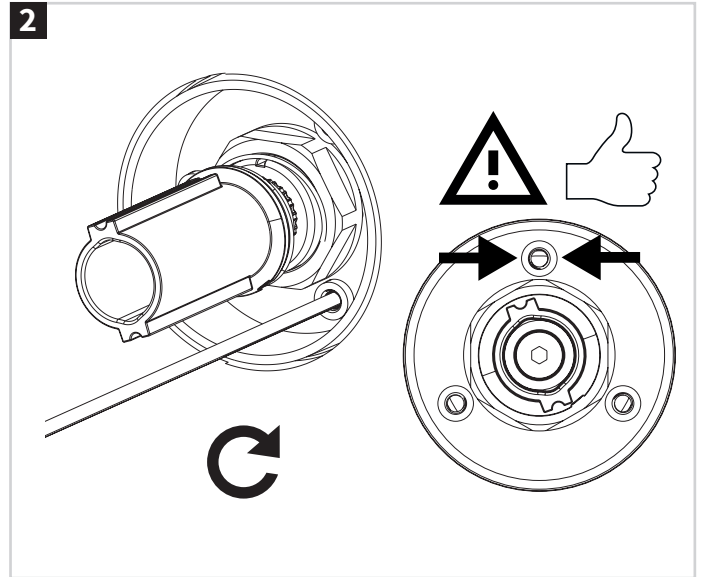
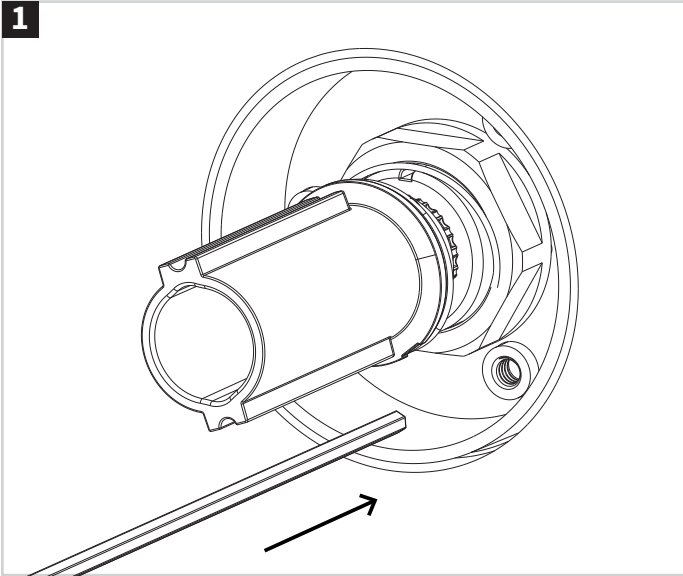
PACKAGE CONTENT



PRE-INSTALLATION

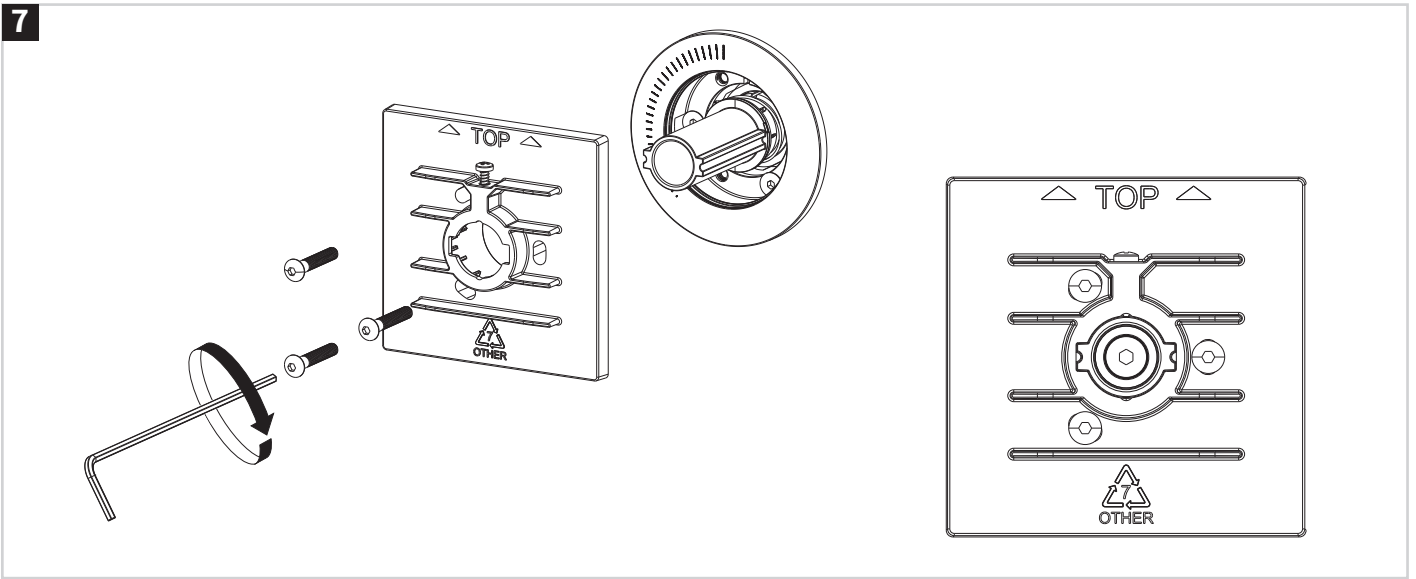


FLOW CONTROL INSTALLATION

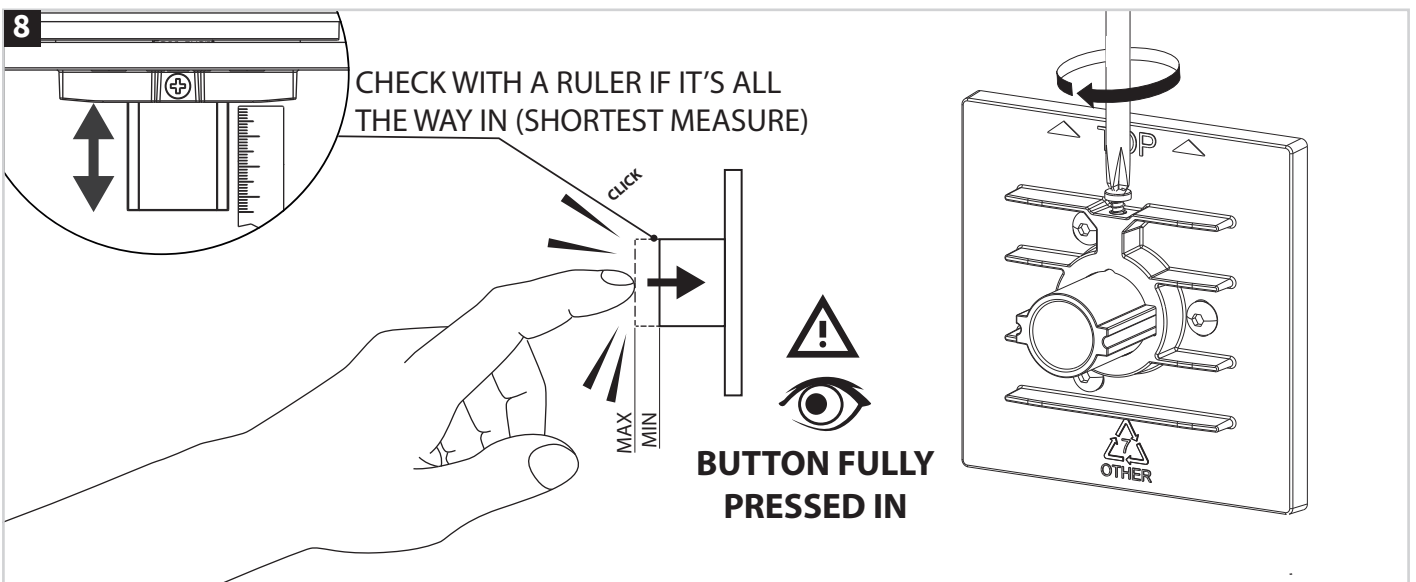


FLOW CONTROL INSTALLATION

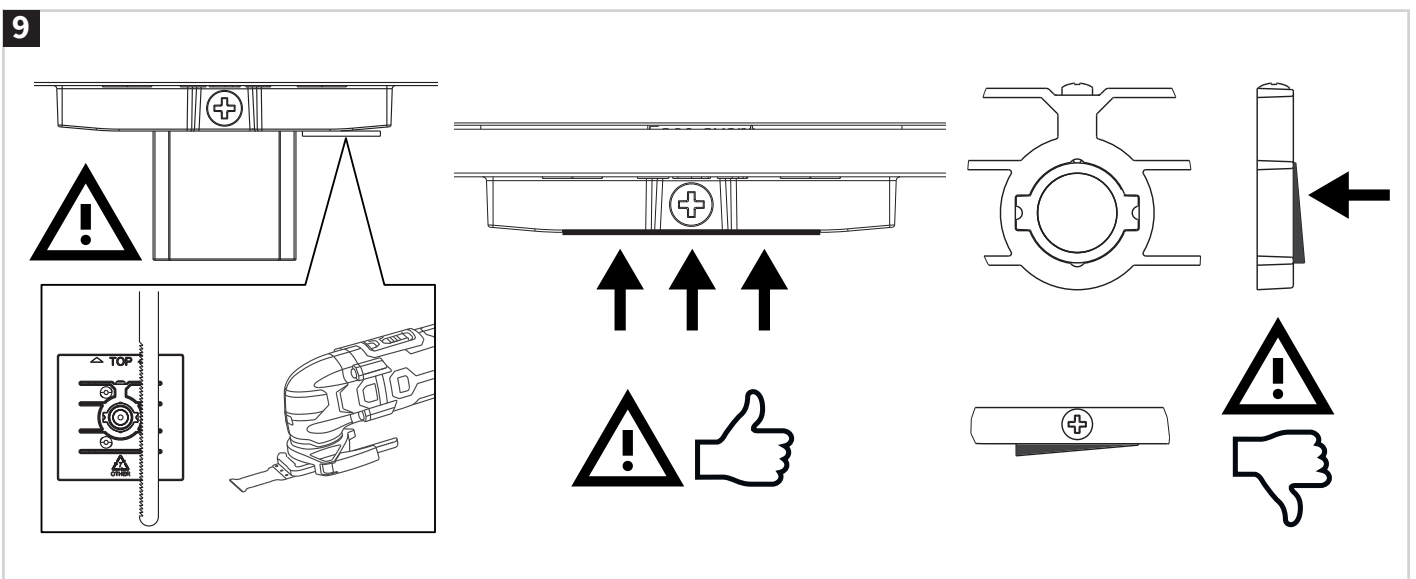
7



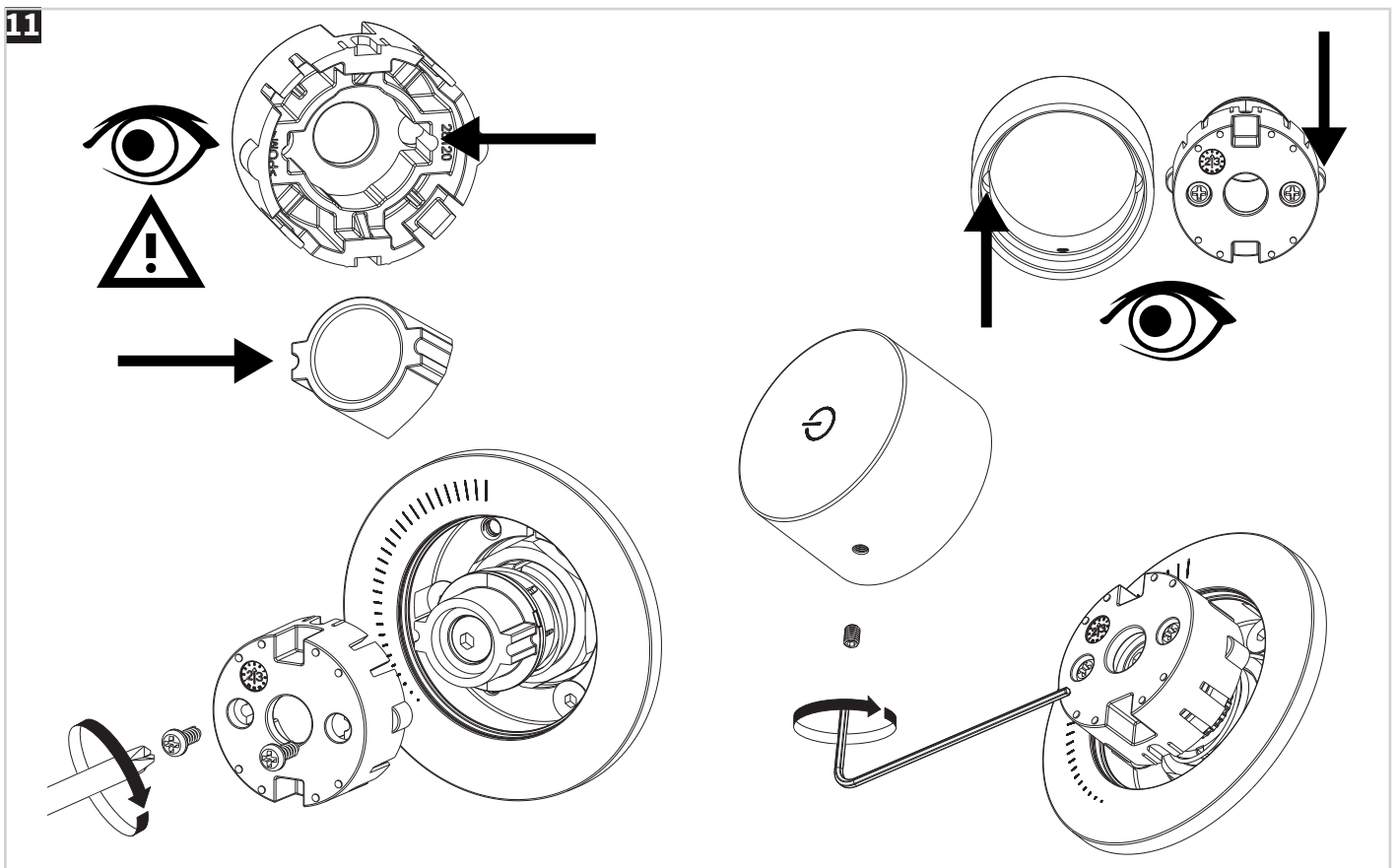
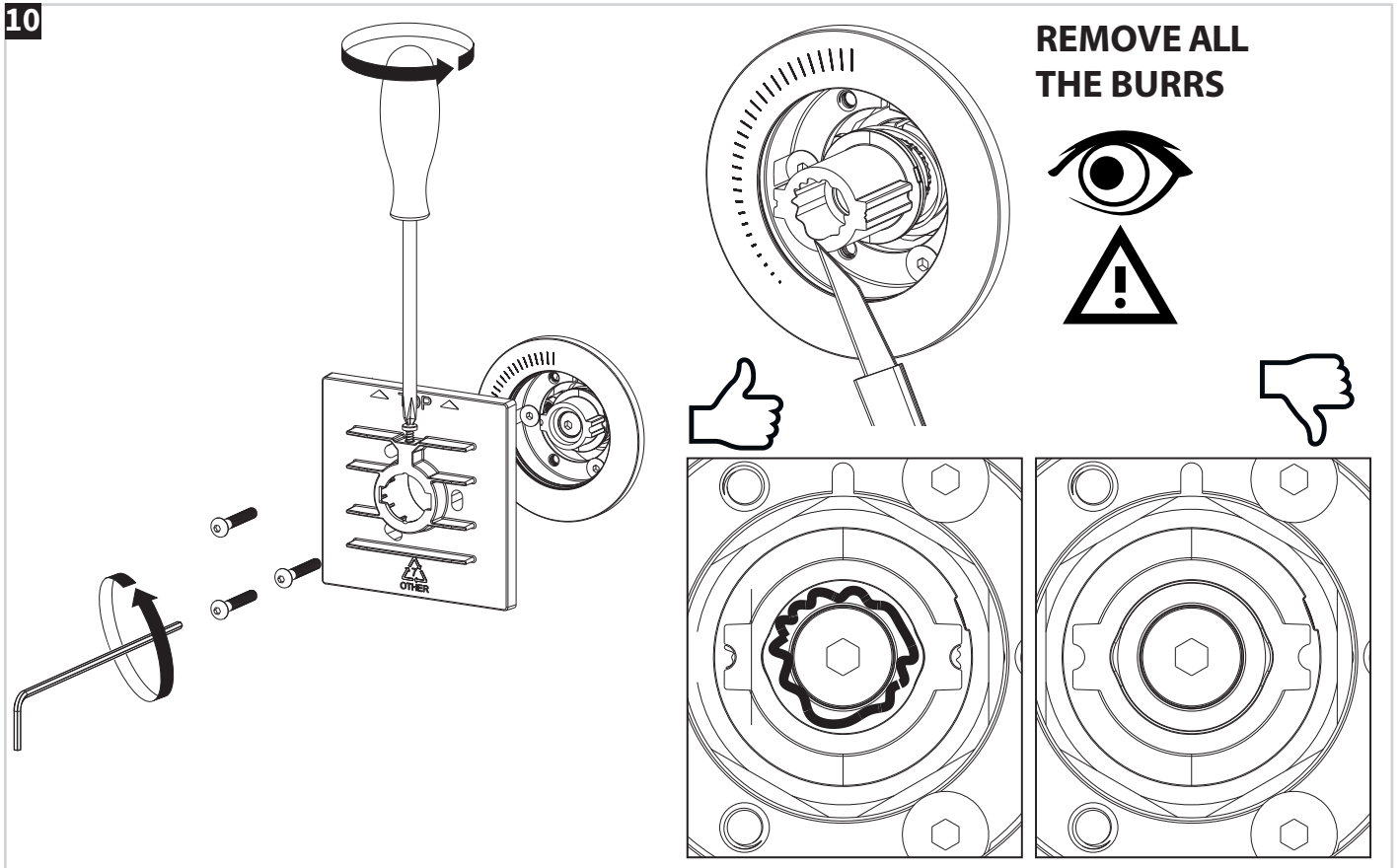
8



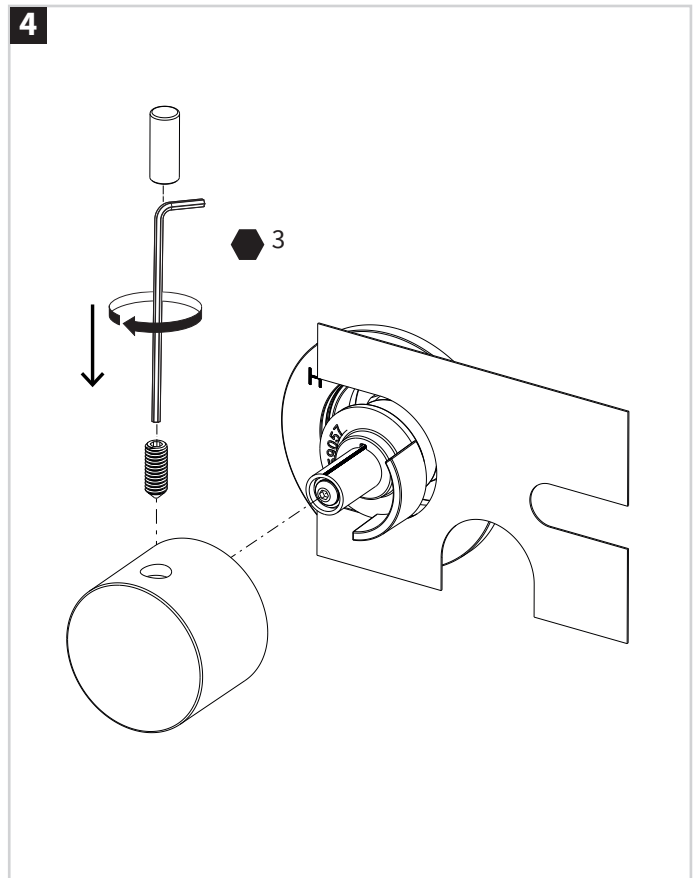
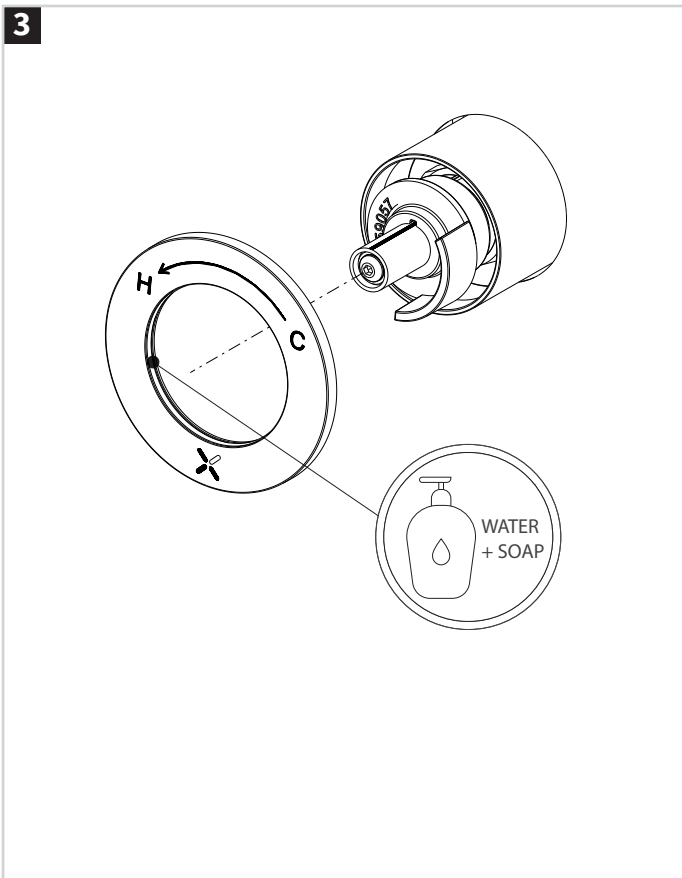
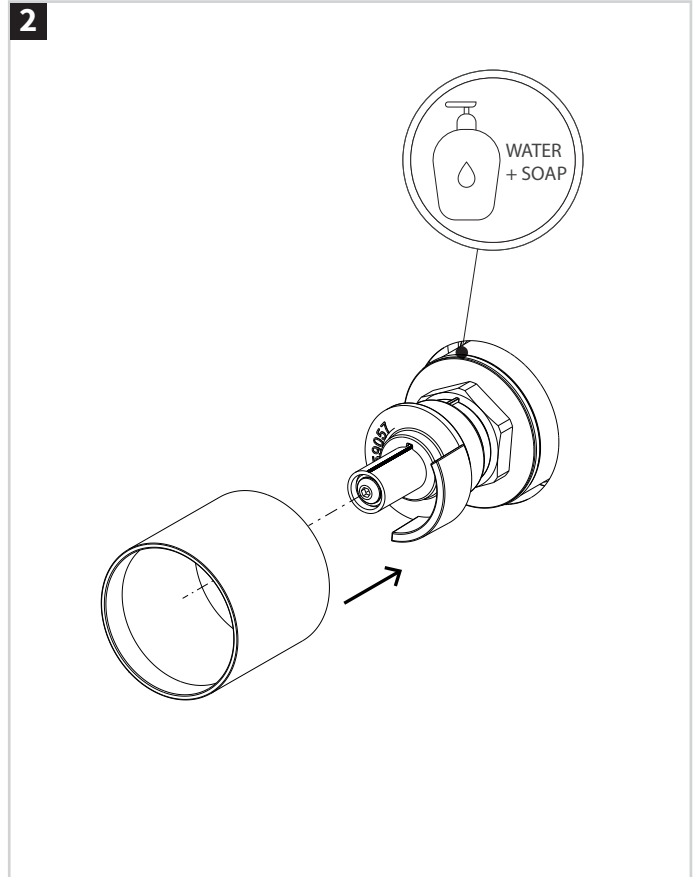
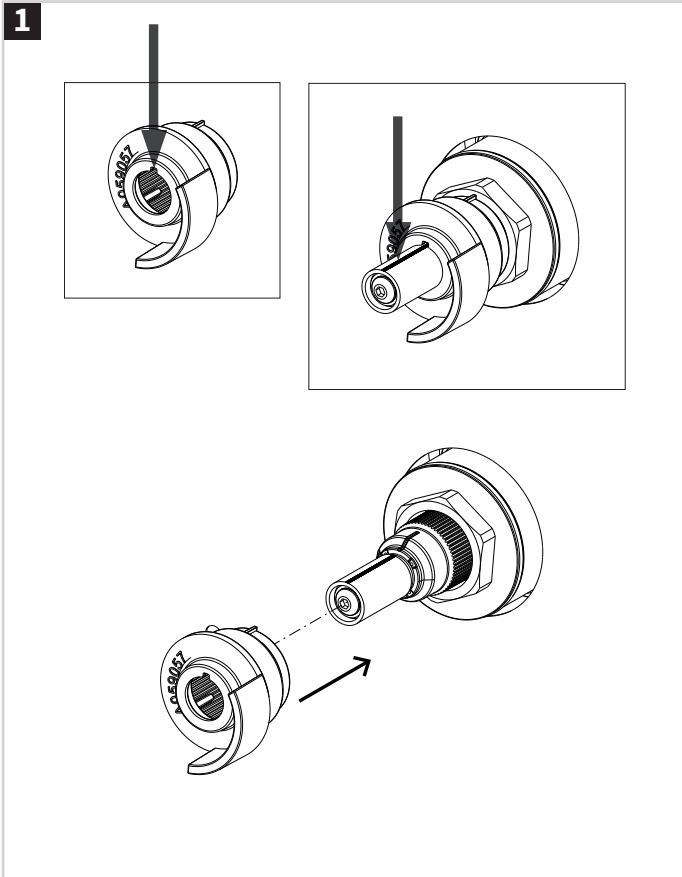
9



FLOW CONTROL INSTALLATION

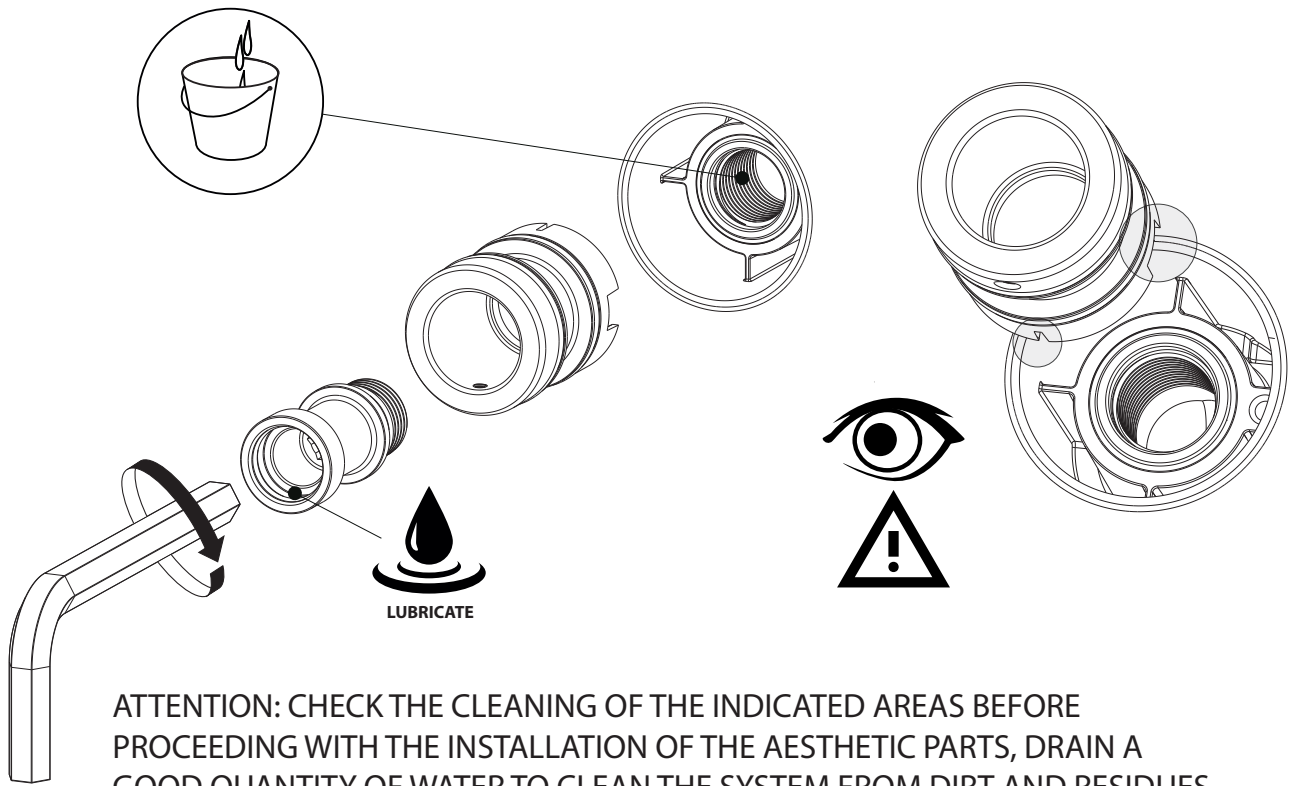


TEMPERATURE CONTROL INSTALLATION



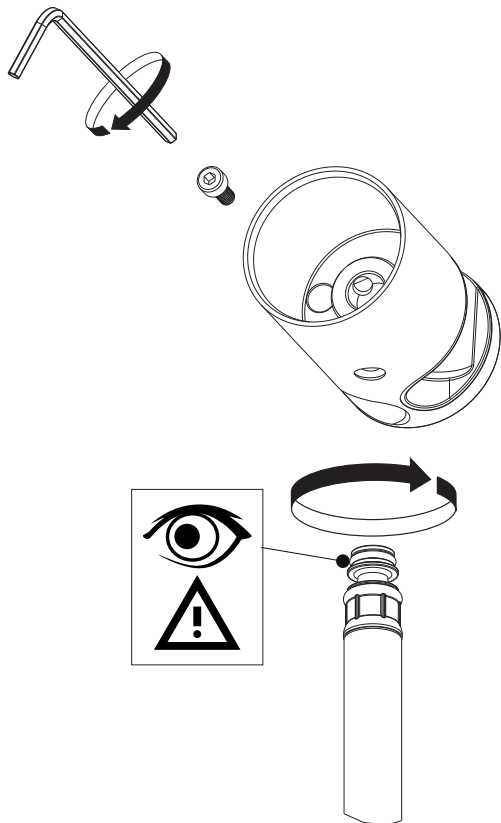
WALL OUTLET INSTALLATION

1

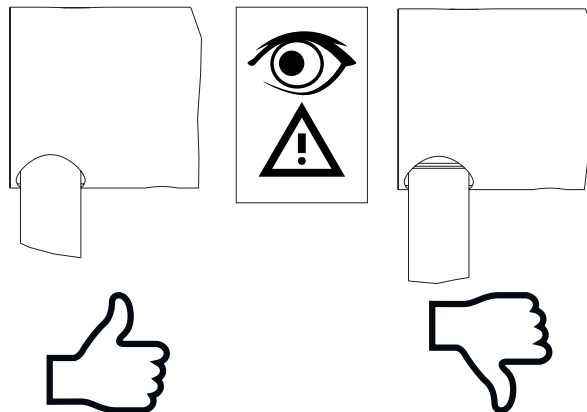


ATTENTION: CHECK THE CLEANING OF THE INDICATED AREAS BEFORE PROCEEDING WITH THE INSTALLATION OF THE AESTHETIC PARTS, DRAIN A GOOD QUANTITY OF WATER TO CLEAN THE SYSTEM FROM DIRT AND RESIDUES.

2

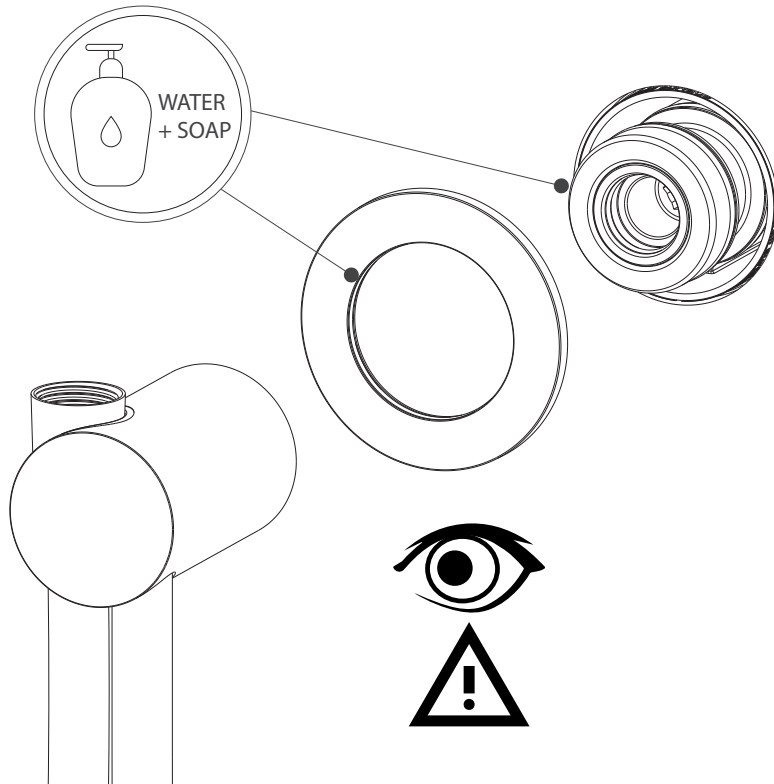


ATTENTION:
CHECK THE CORRECT POSITION OF THE HOSE

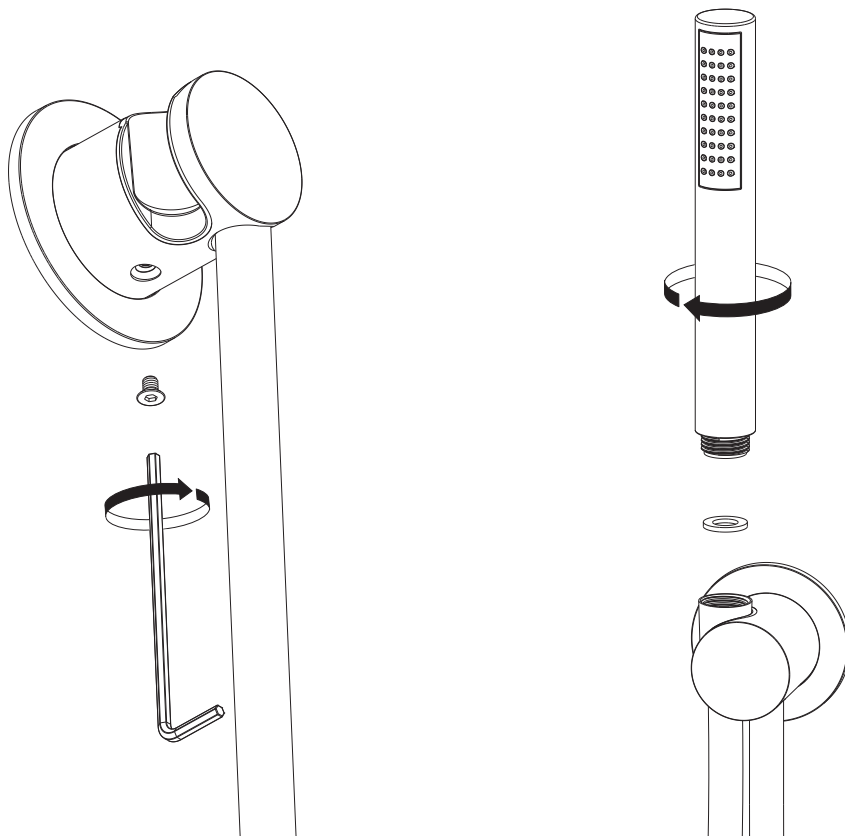


WALL OUTLET INSTALLATION

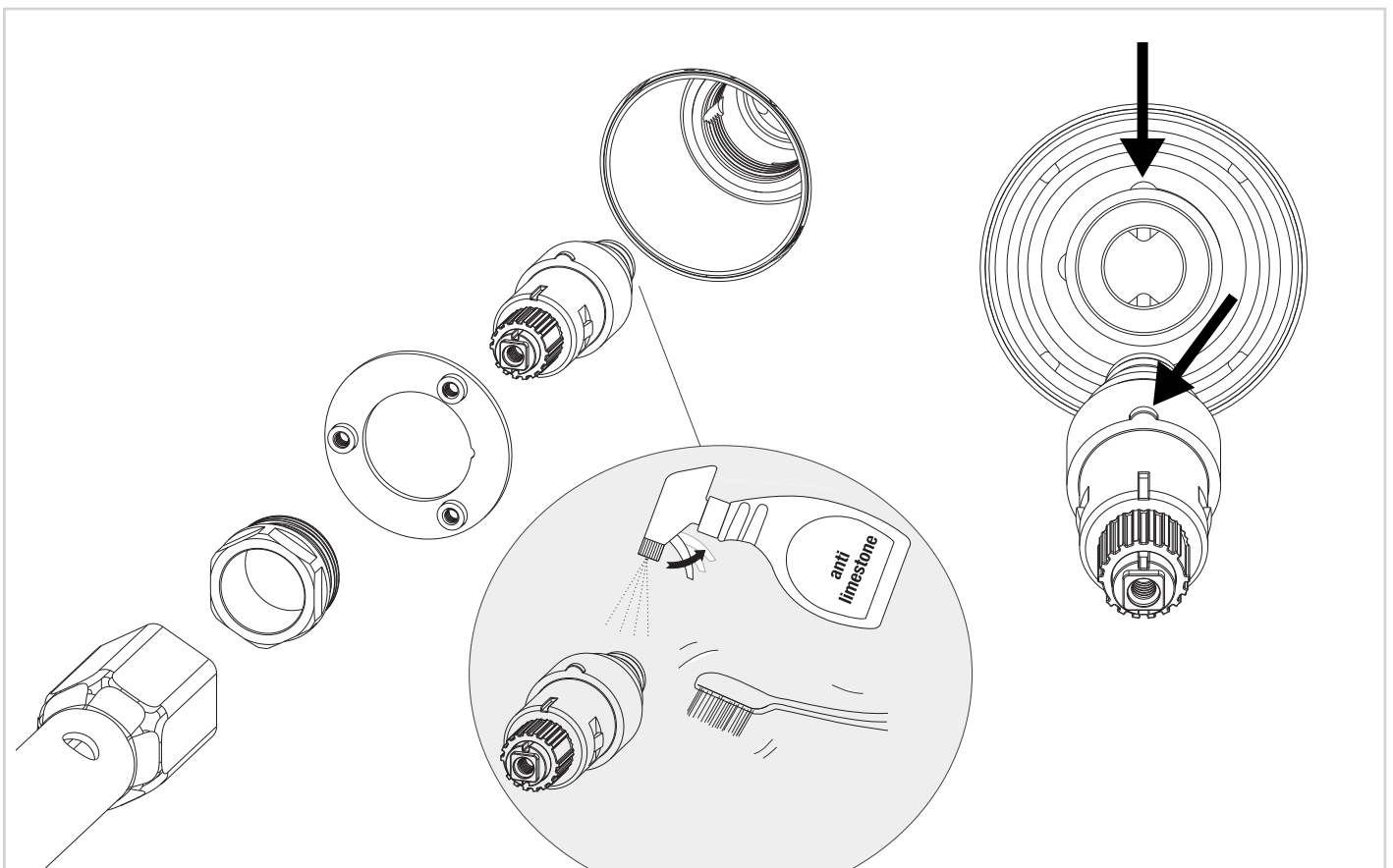
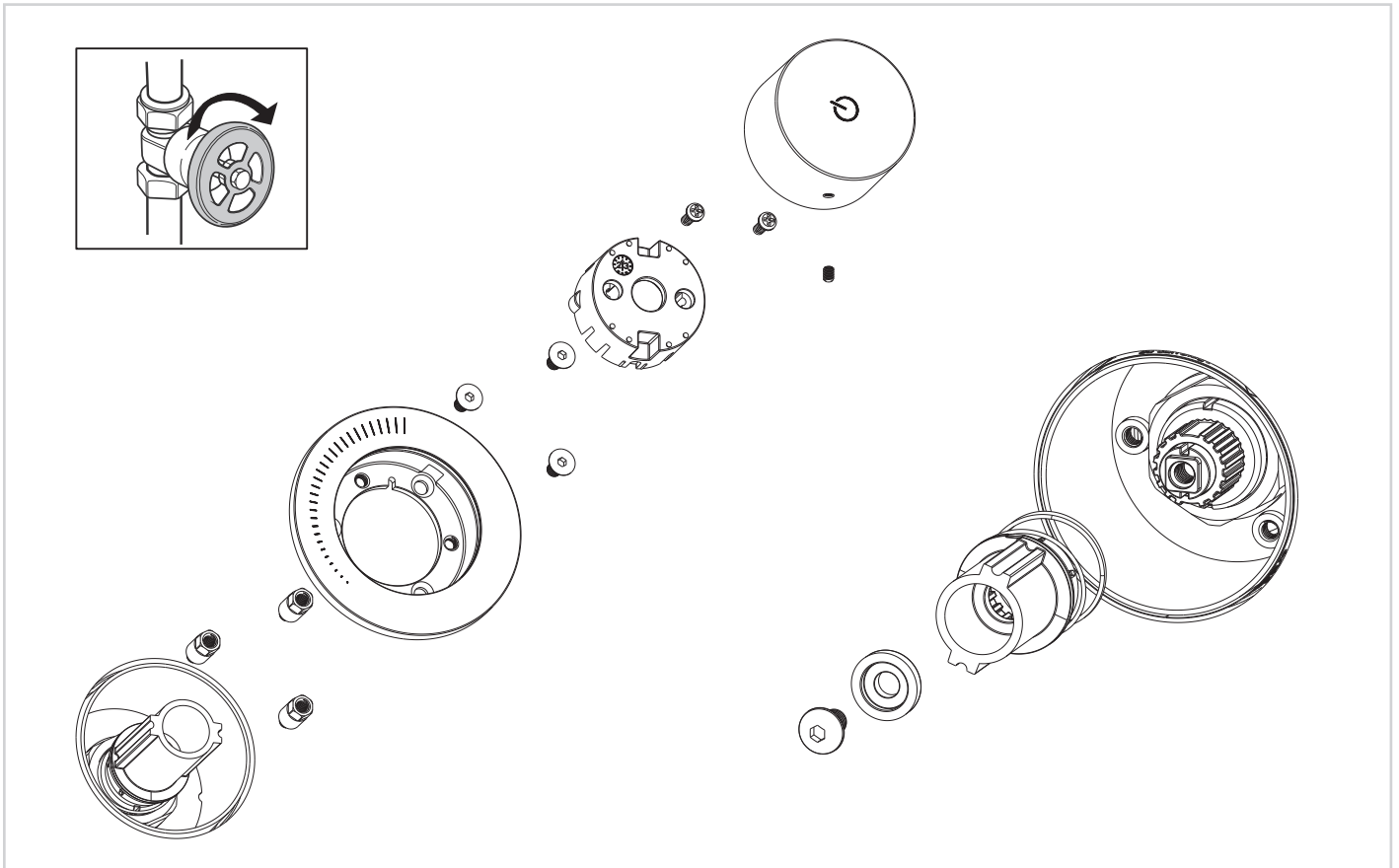
3



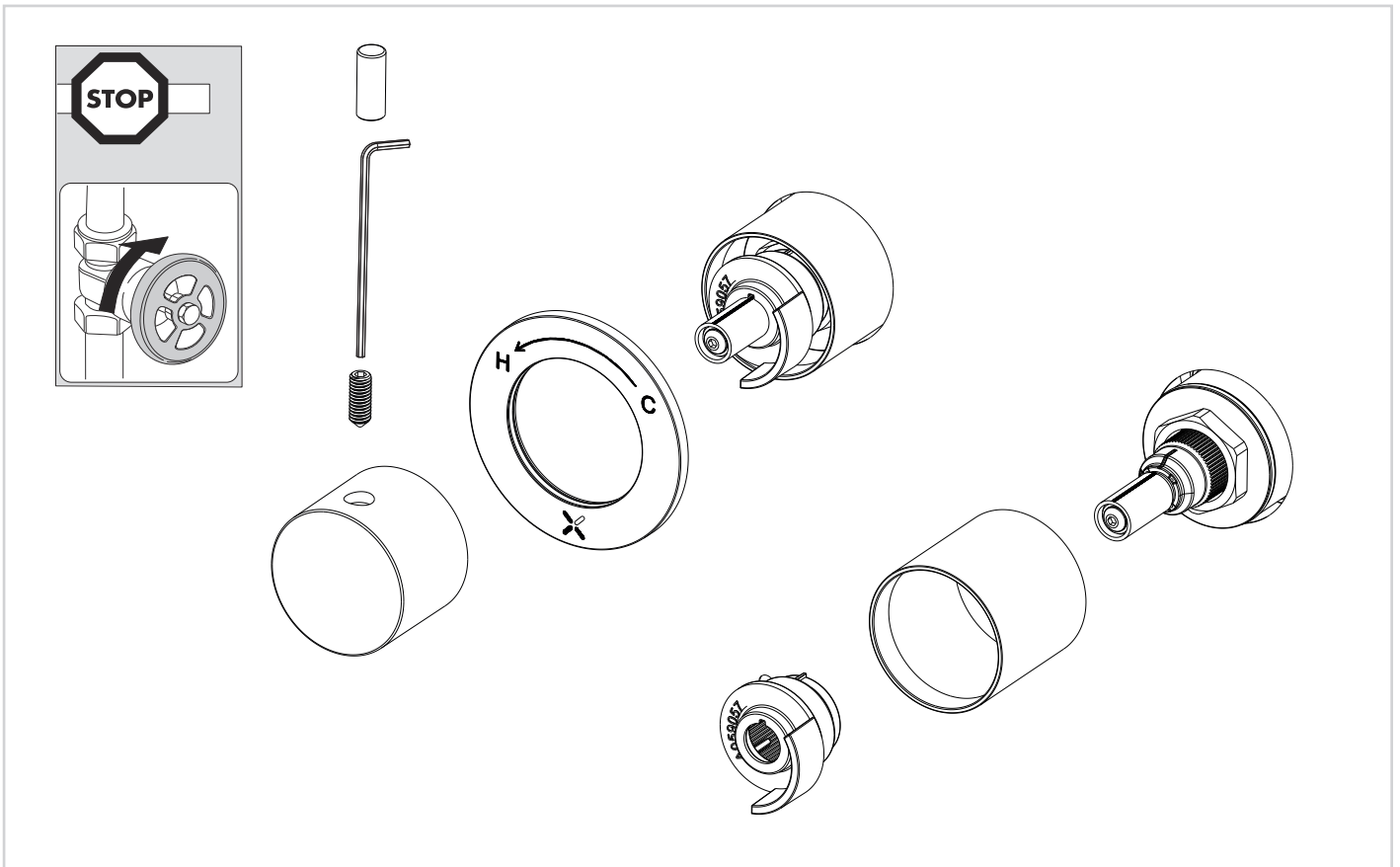
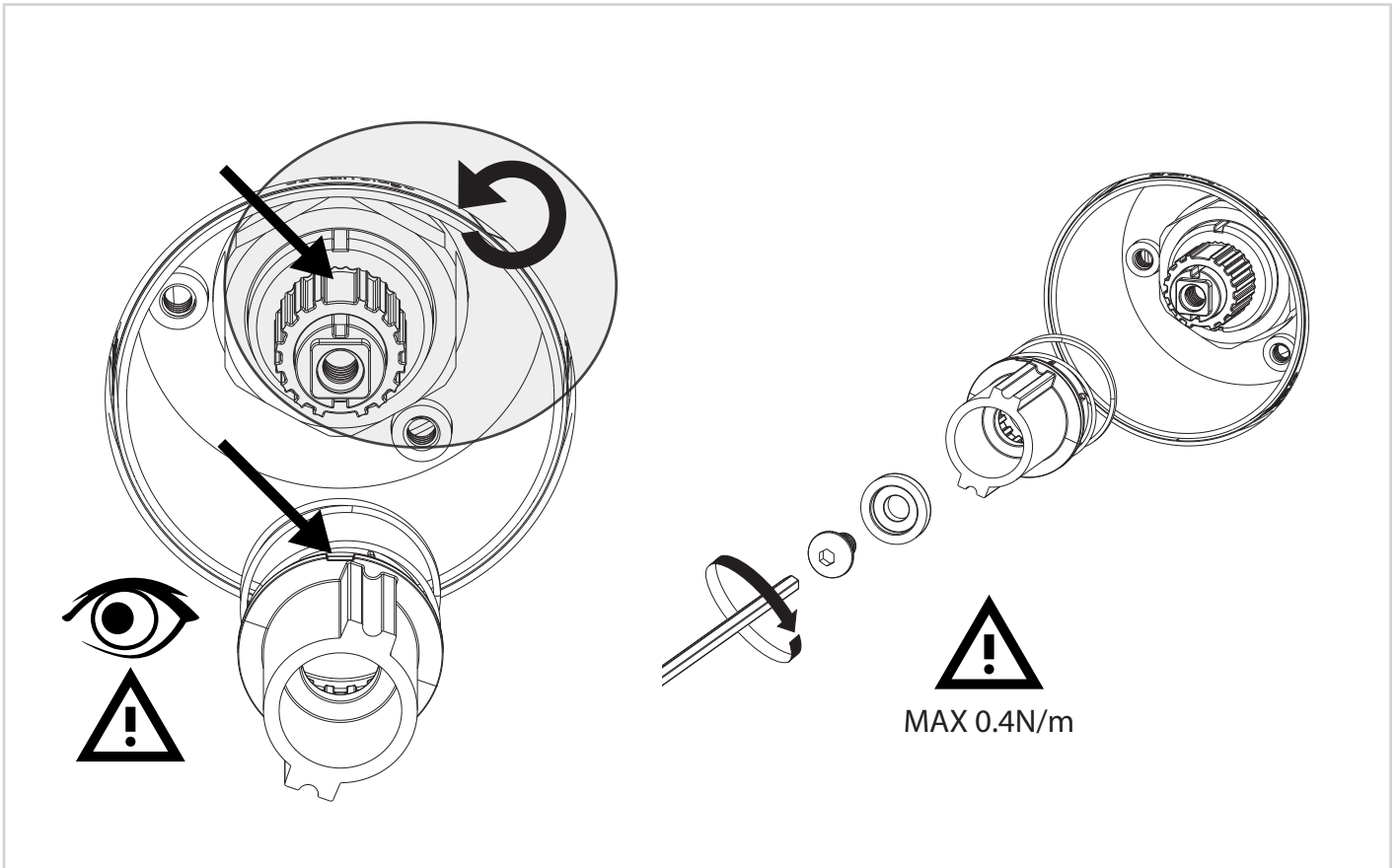
4



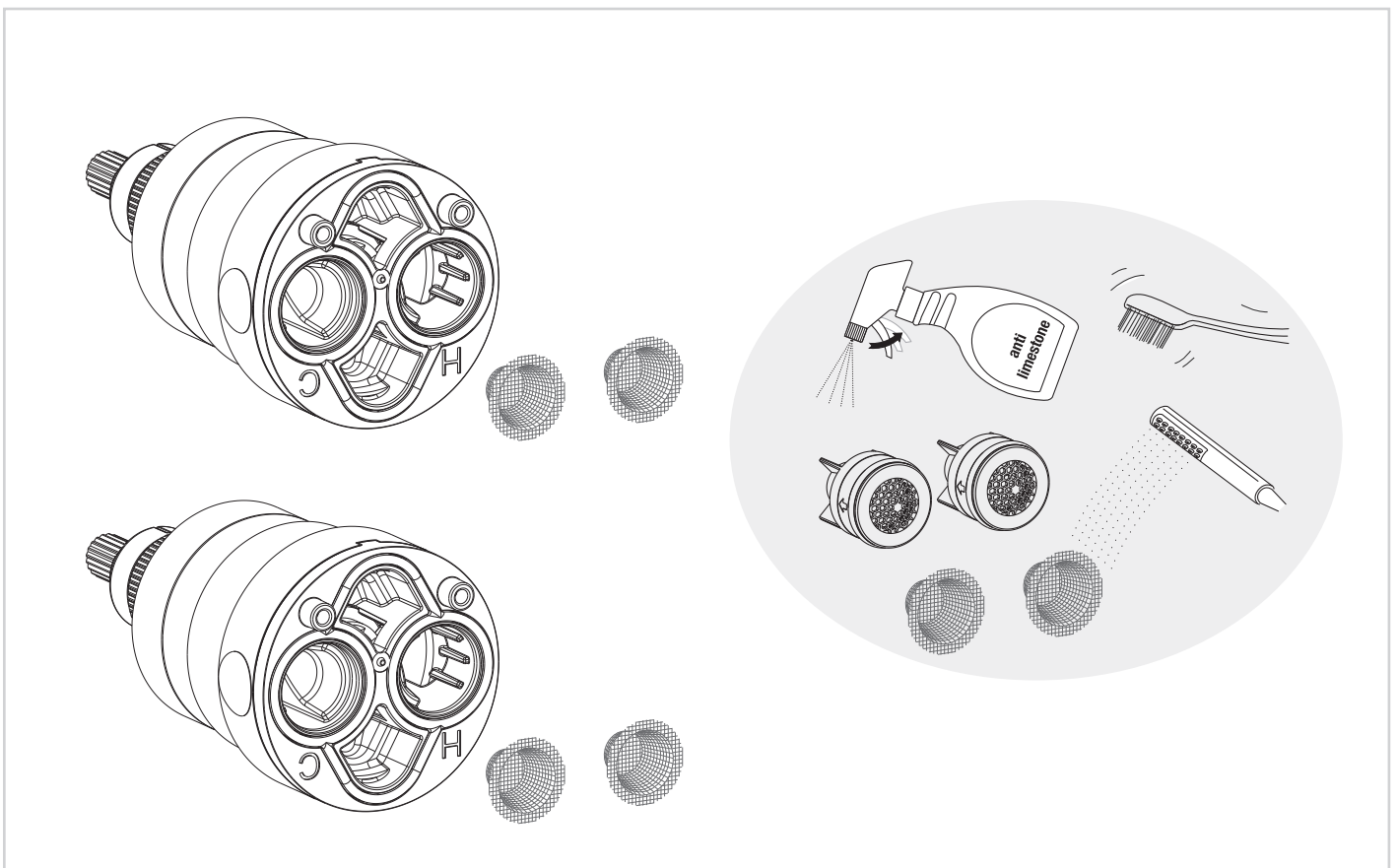
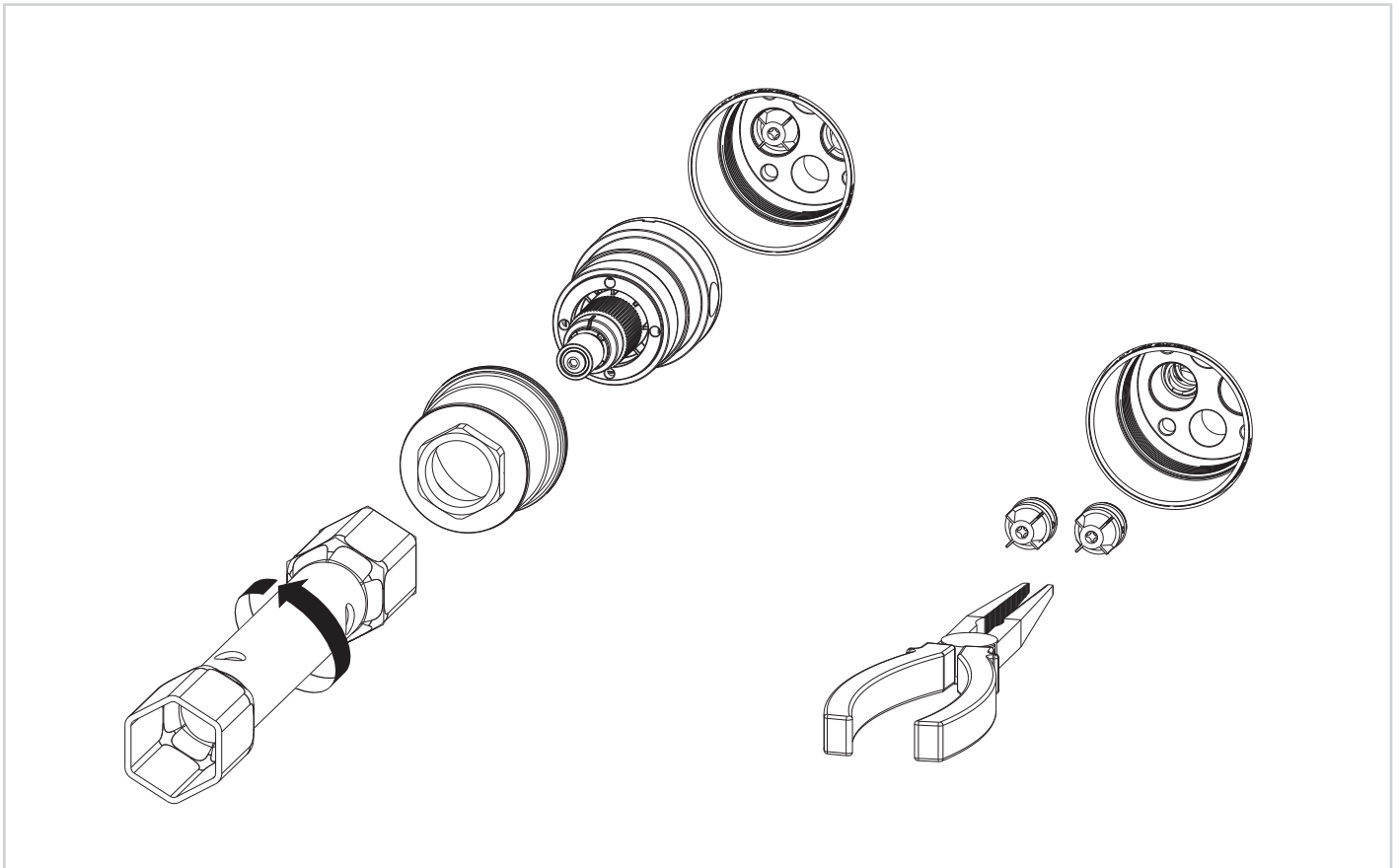
MAINTENANCE



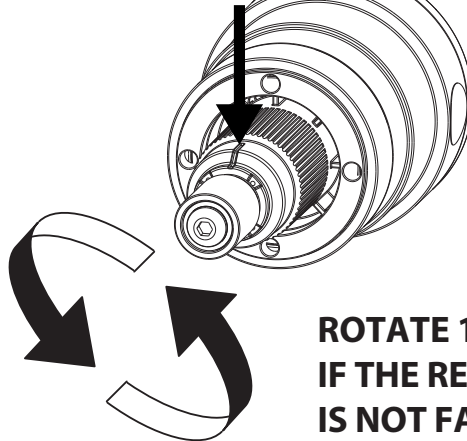
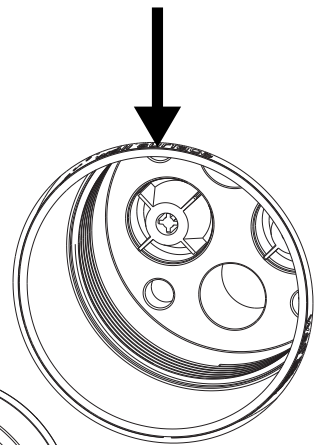
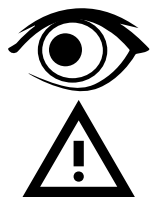
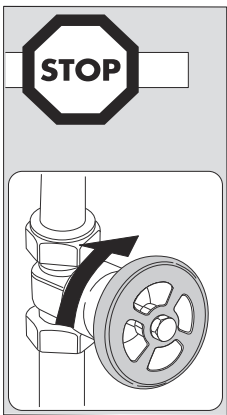
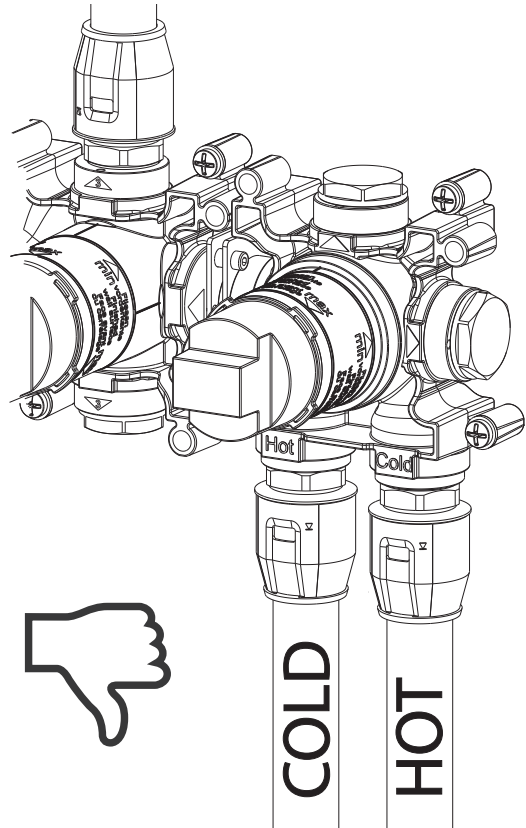
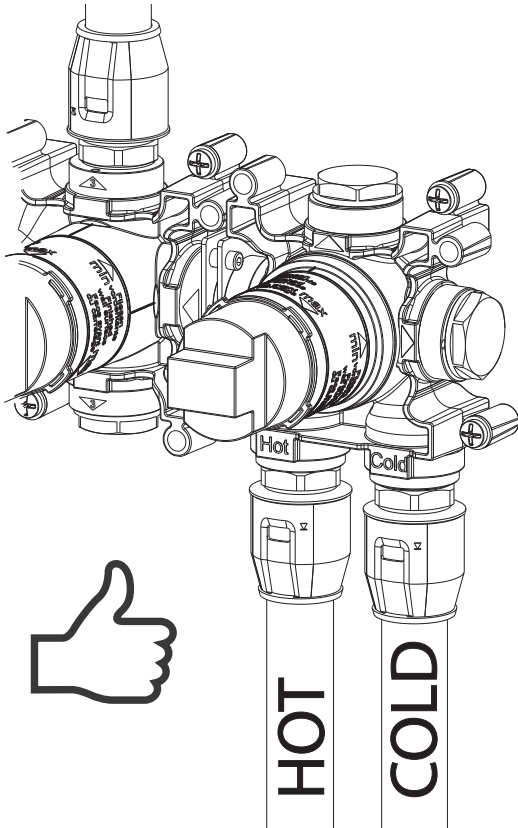
MAINTENANCE



MAINTENANCE

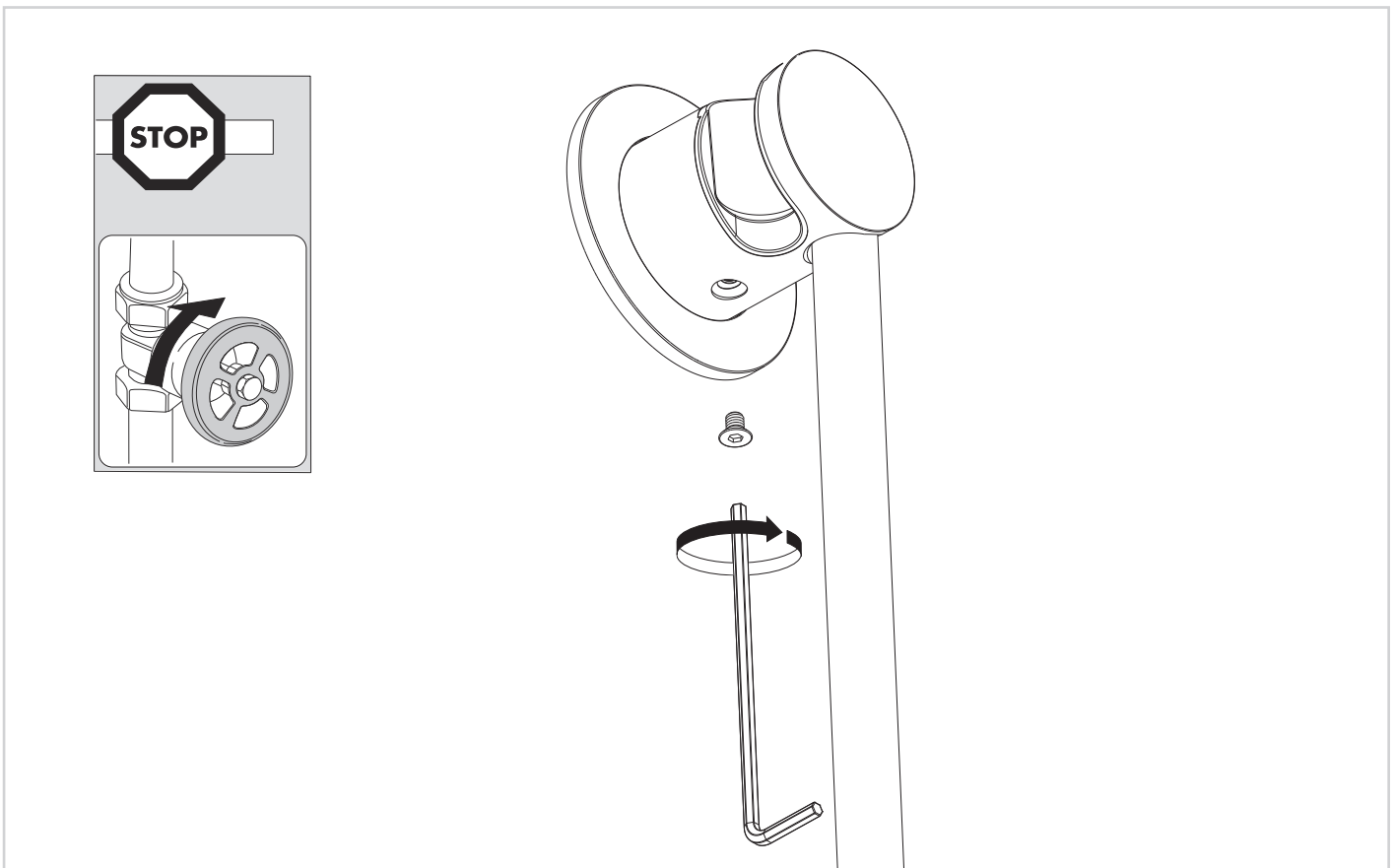
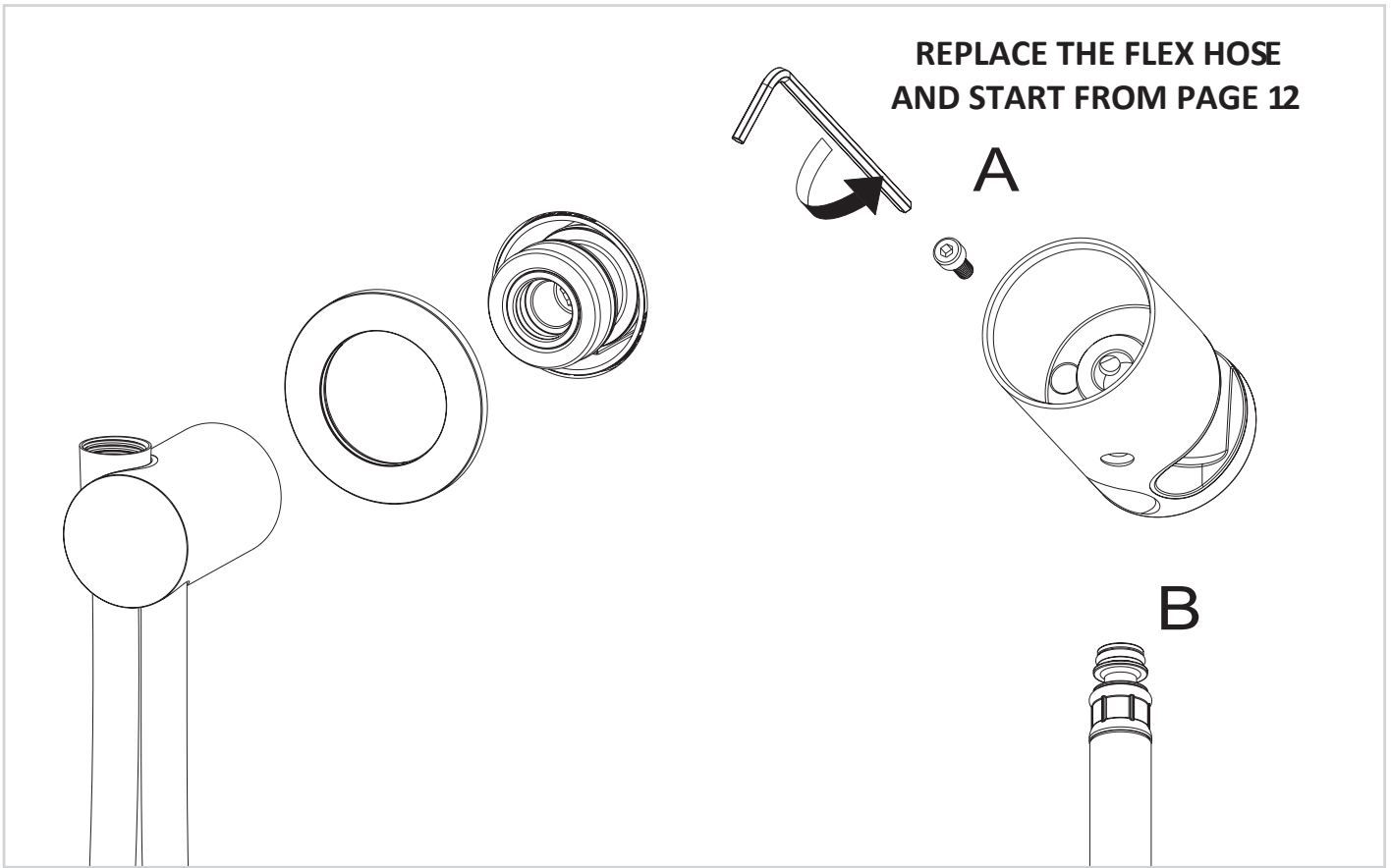


MAINTENANCE



**ROTATE 180°
IF THE REFERENCE NOTCH
IS NOT FACING UPWARDS**

MAINTENANCE



CARE & MAINTENANCE

Clean with water using only water or natural detergents and dry with a soft cloth. Never use abrasive or corrosive detergents or products containing hydrochloric acid, ammonia or bleach. Do not use sponges or abrasive cloths. It is recommended to clean the surfaces periodically, in order not to create situations of excessive dirt, which is difficult to eliminate.

Attention: The use of non-recommended products may irreparably deteriorate the surfaces.