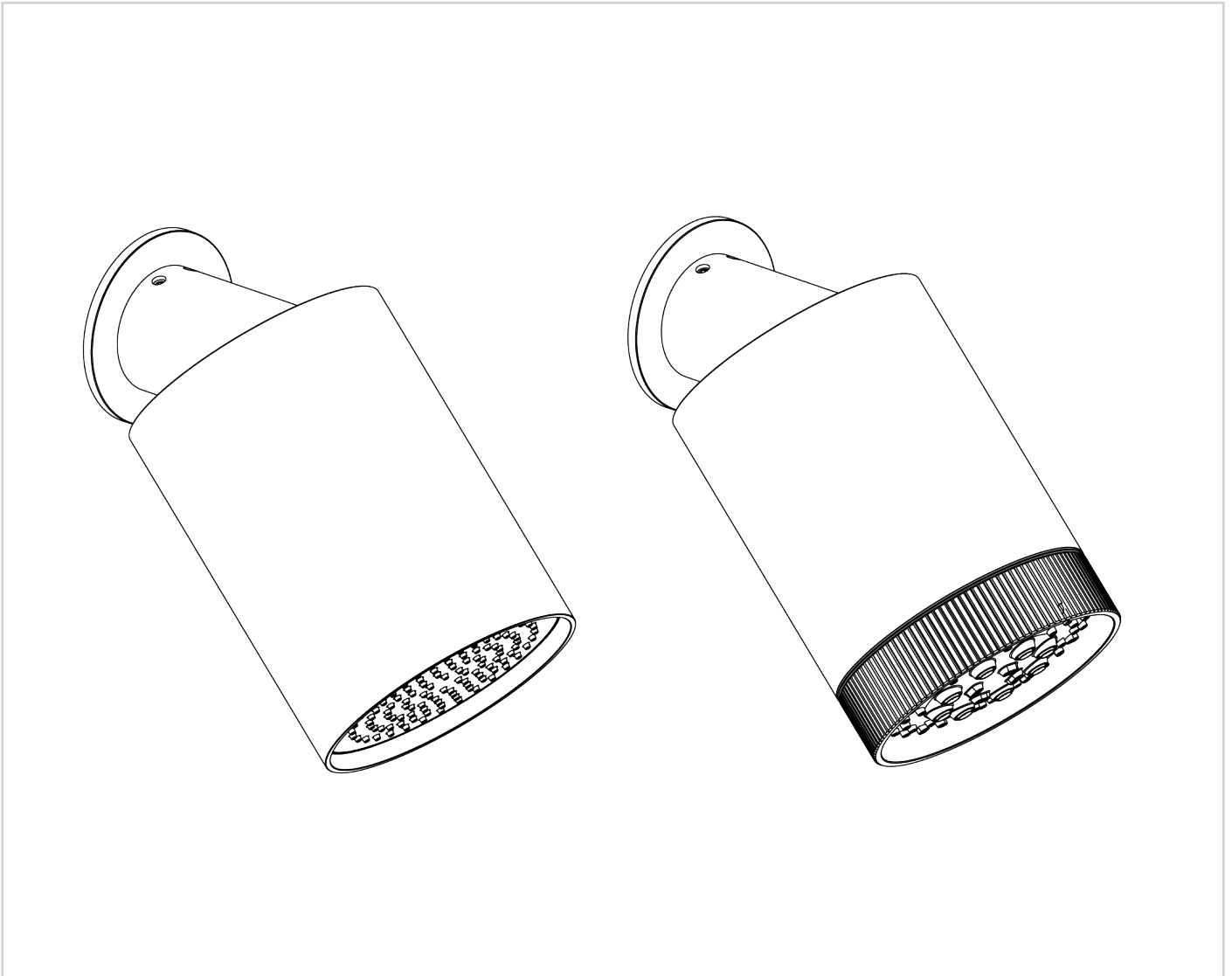


# REVIVE SHOWERING

Single-Mode and Multi-Mode Showerhead



## IMPORTANT INFORMATION BEFORE YOU START

**Please read carefully and keep this information for further reference.**

All products manufactured and supplied by Crosswater are safe provided they are installed, used correctly and receive regular maintenance in accordance with these instructions. If you are in any doubt about your ability to install this product safely you must employ the services of an experienced qualified plumber.

These fittings need to be installed in accordance with, and meet the requirements of the Water Supply (Water Fittings) Regulations 1999 and Scottish Byelaws 2004.

Operating pressure range: Minimum 1 bar, Maximum 5.0 bar.  
Maximum static pressure: 10.0 bar.

Note: Nominally equal (balanced) inlet supply pressures are recommended for optimum performance with mixer taps.

Designed for water systems of type 1 and 2 general technical specifications and to be used within systems designed to BS 6700.

BS 6700 recommends the temperature of stored water should never exceed 65°C.

A stored water temperature of 60°C is considered sufficient to meet all normal requirements and will minimise the build up of lime scale in hard water areas.

## BEFORE YOU START

### Important Pre-Installation Notes

Remove all packaging and check the fitting for damage before starting installation.

**Warning:** Before starting any installation please consider the following: before drilling into walls, check that there are no hidden electrical wires, cables or water supply pipes. This can be checked with the aid of an electronic detector.

If power tools are used do not forget to: -

Wear eye protection

Unplug equipment after use

### Important:

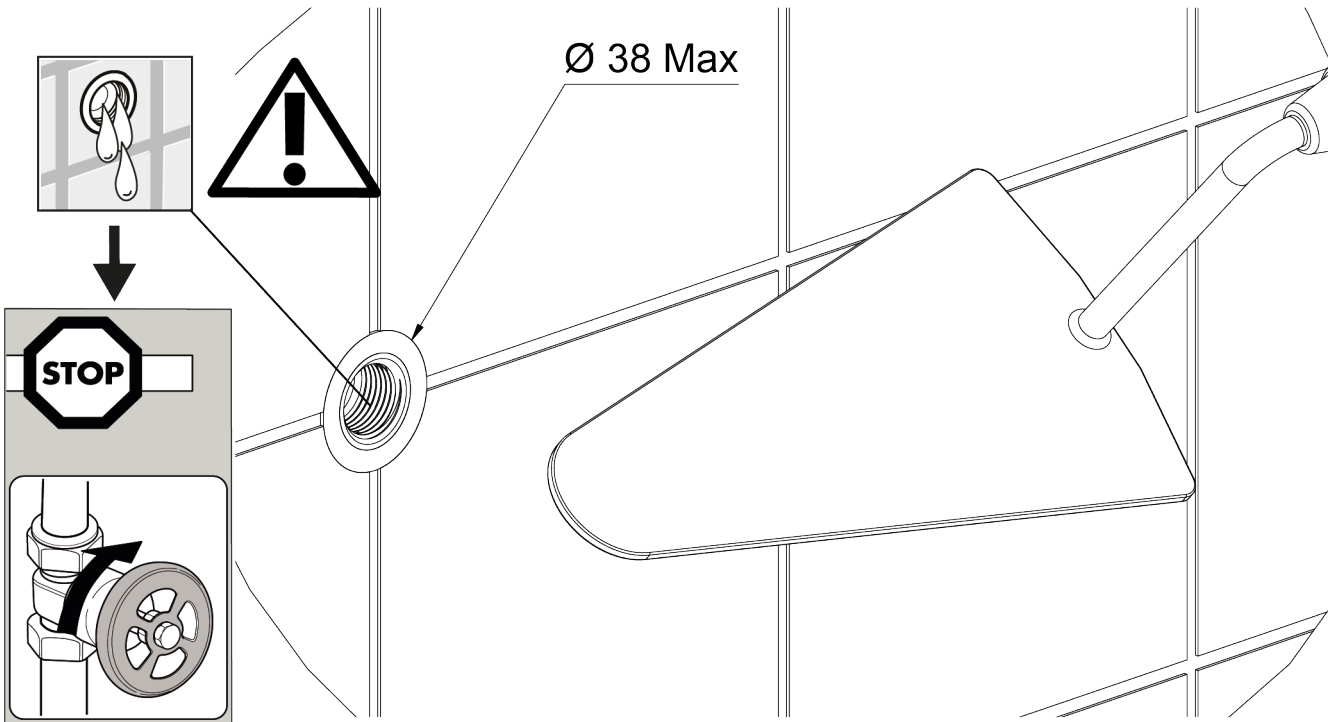
Remember to turn off the mains water supply before connecting to any existing pipe work. Fitting isolating valves to the inlet feeds is recommended for ease of maintenance.

**Warning:** Before installing the new fitting it is essential that you thoroughly flush through the pipework in order to remove any remaining swarf, solder, etc. Failure to carry out this procedure could cause problems or damage to the workings of the fitting.

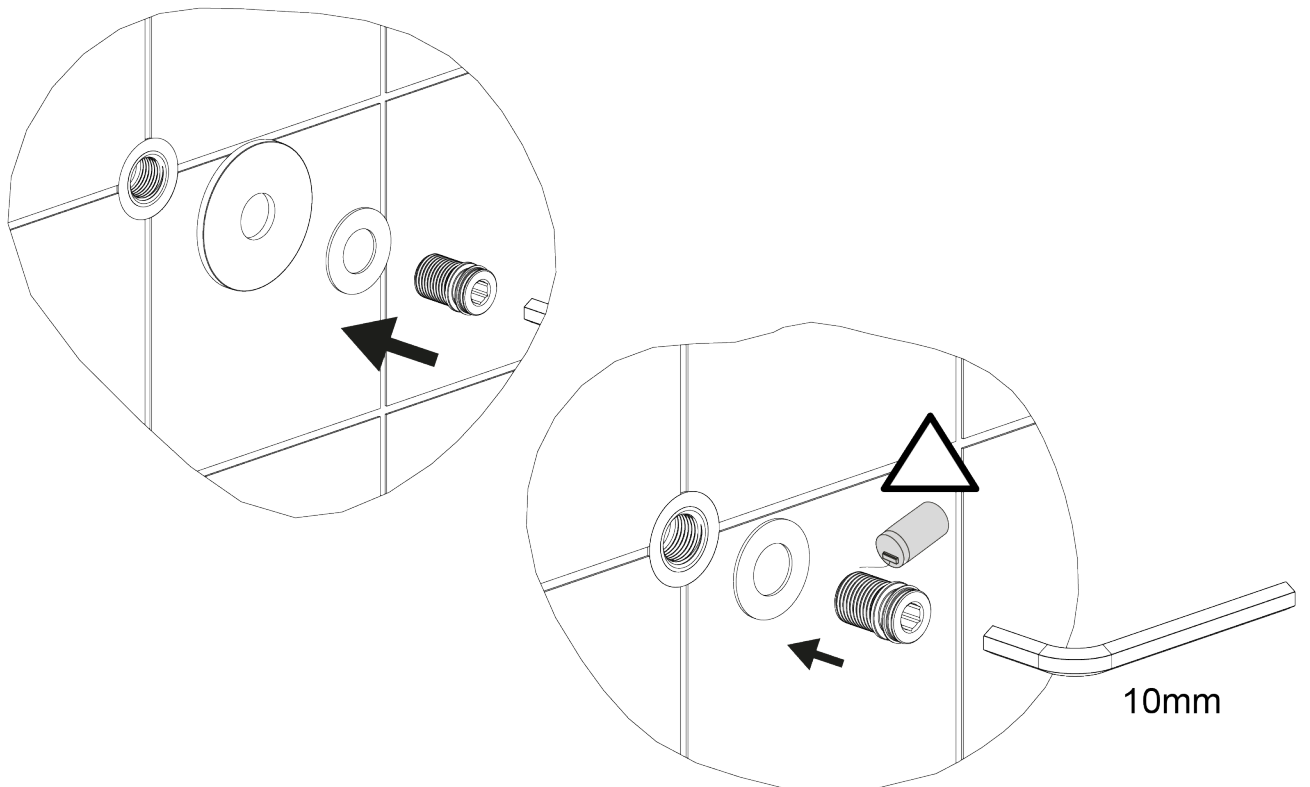
Take care when handling the 'flexible connecting pipes', do not bend, twist or crush them. Only tighten the pipes by hand. Do not crush or kink the shower hose, this could damage the hose and cause leaks.

INSTALLATION

1

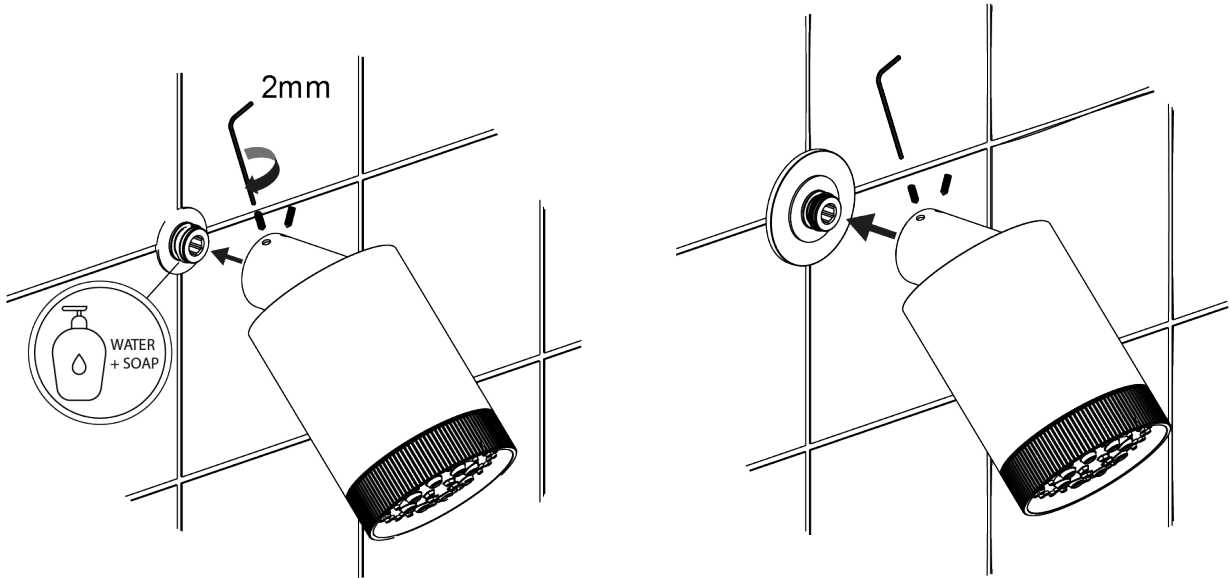


2 SHOWER HEAD CAN BE INSTALLED WITH OR WITHOUT WALL PLATE

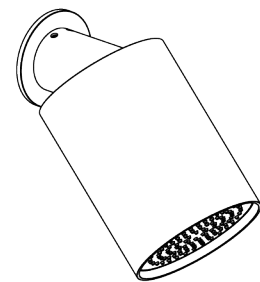
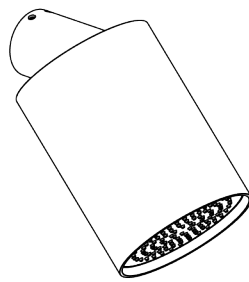
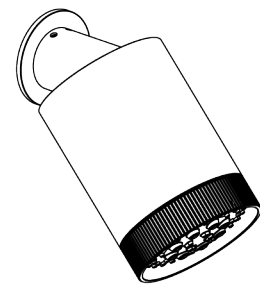
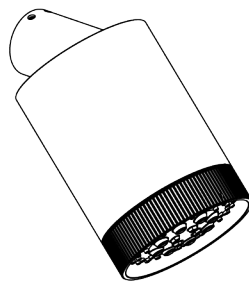
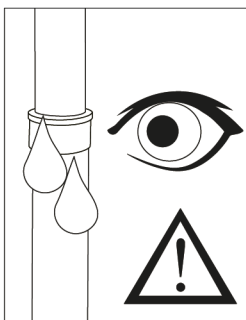
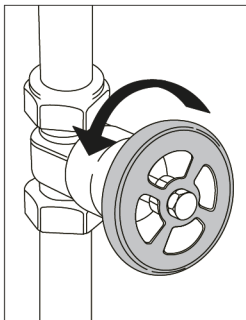


## INSTALLATION

### 3 SHOWER HEAD CAN BE INSTALLED WITH OR WITHOUT WALL PLATE

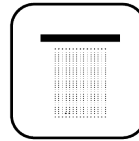
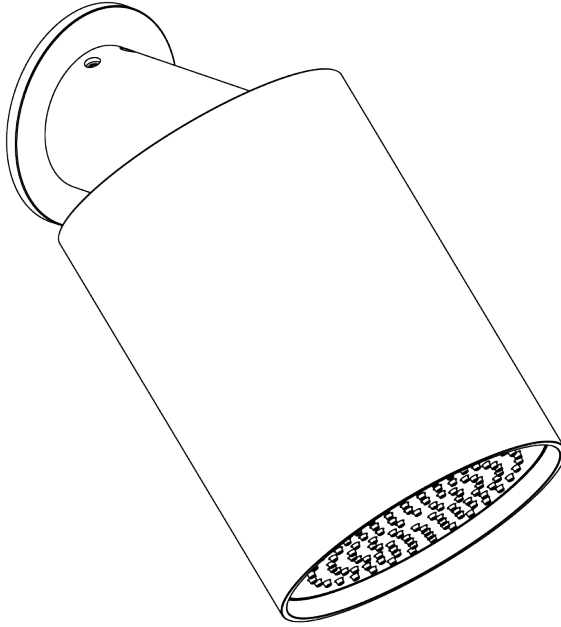


### 4

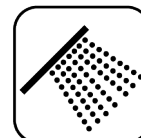
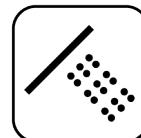
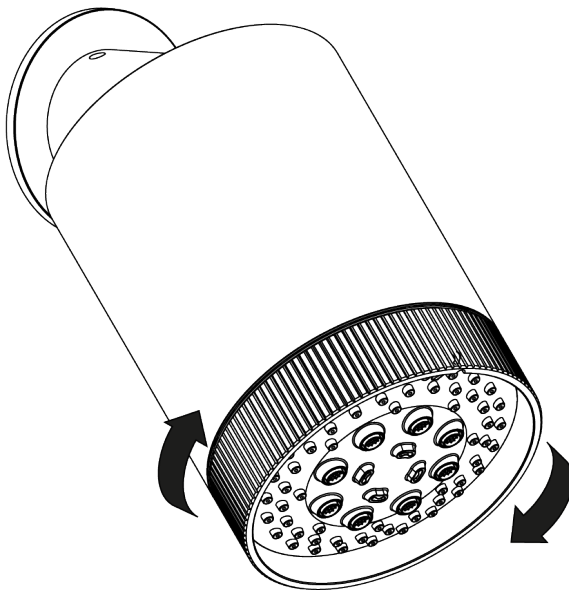


**FUNCTION**

**SINGLE-MODE FUNCTION - FH341**



**MULTI-MODE FUNCTION - FH342**



## CARE & MAINTENANCE

Clean surfaces using only water or neutral detergents and dry with a soft cloth. Never use abrasive or corrosive detergents or products containing hydrochloric acid, phosphoric acid, ammonia, or bleach. Do not use sponges or abrasive cloths. It is recommended to clean the surfaces periodically, in order to not create situations of excessive dirt which is difficult to eliminate.

Attention: the use of not-recommended products may irreparably deteriorate surfaces.

