

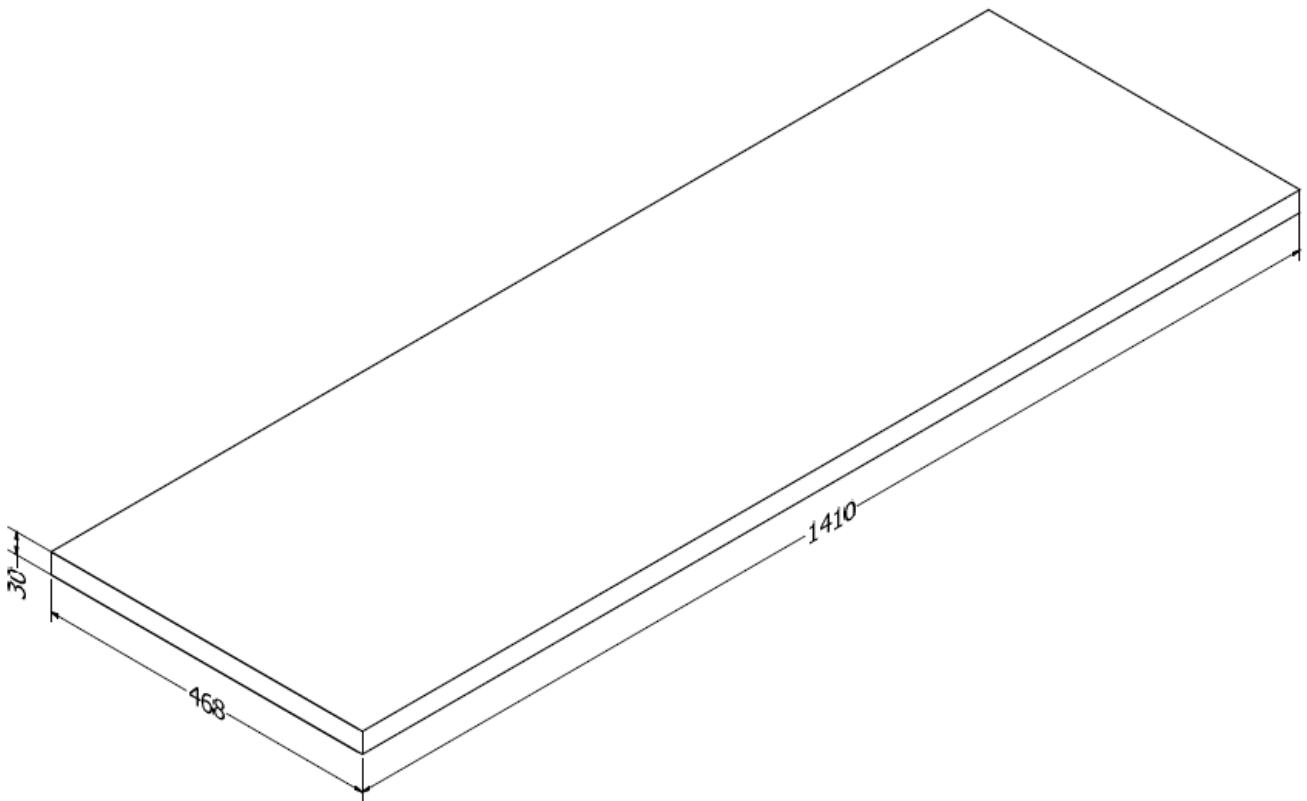
Measurements in mm

Information updated March 2018

Tel 0345 873 8840

crosswater<sup>™</sup>

TECHNICAL



UNION WORKTOP

CONCRETE EFFECT FINISH

UN14000TCN

