

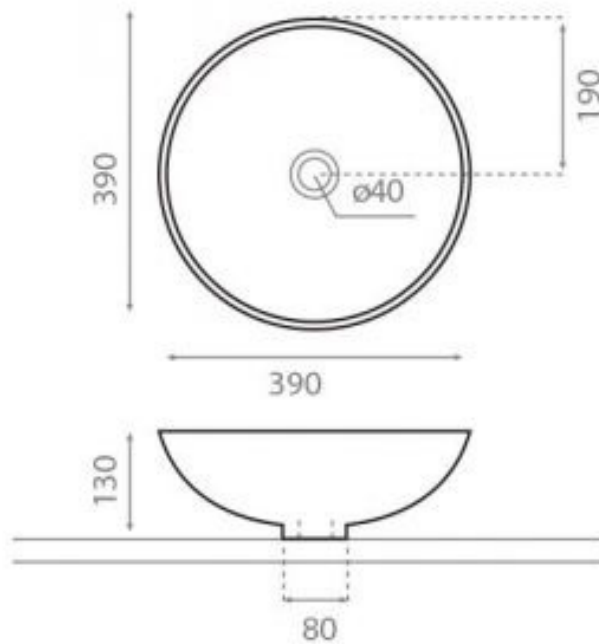
Measurements in mm

Information updated March 2018

Tel 0345 873 8840

crosswater[™]

TECHNICAL



UNION COUNTERTOP WASHBASIN

BURNISHED ALUMINIUM NO OVERFLOW

CT3939UAW