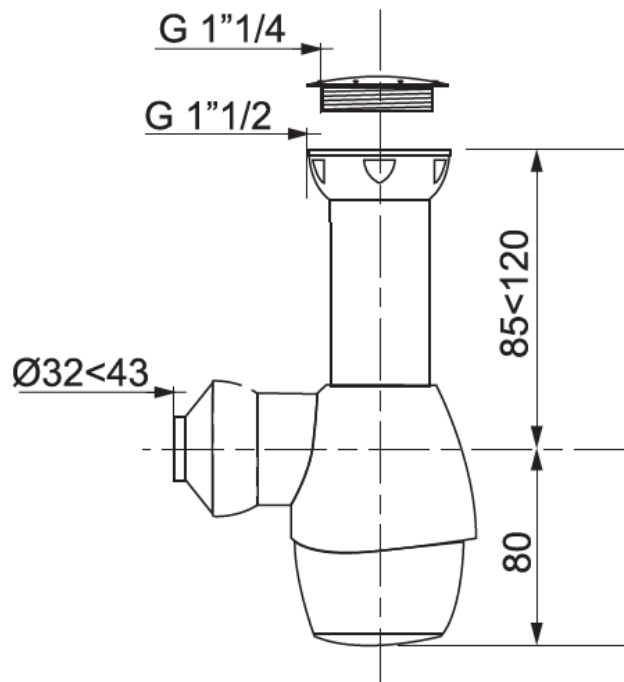


**TECHNICAL CHARACTERISTICS**

Water seal depth	50mm
Waste fitment	1 1/4" & 1 1/2"
Outlet diameter	ø32mm to ø43mm
Locking height of waste	0mm to 80mm
Height adjustment of plunger tube	45mm to 115mm
Flow rate with a 1 1/4" pipe connection	40.6L/min (35% higher than the standard regulations)
Flow rate with a 1 1/2" pipe connection	47.6L/min (68% higher than the standard regulations)
Quick clac waste dome material	ABS
Overflow tube length	300mm adjustable



**Note:**

Compatible for all Zion floor standing units  
 ZI6000D    ZI7000D    ZI12000D

Universal push-fit connection:

It allows a quick tool free installation for ø32-43mm pipe dimensions