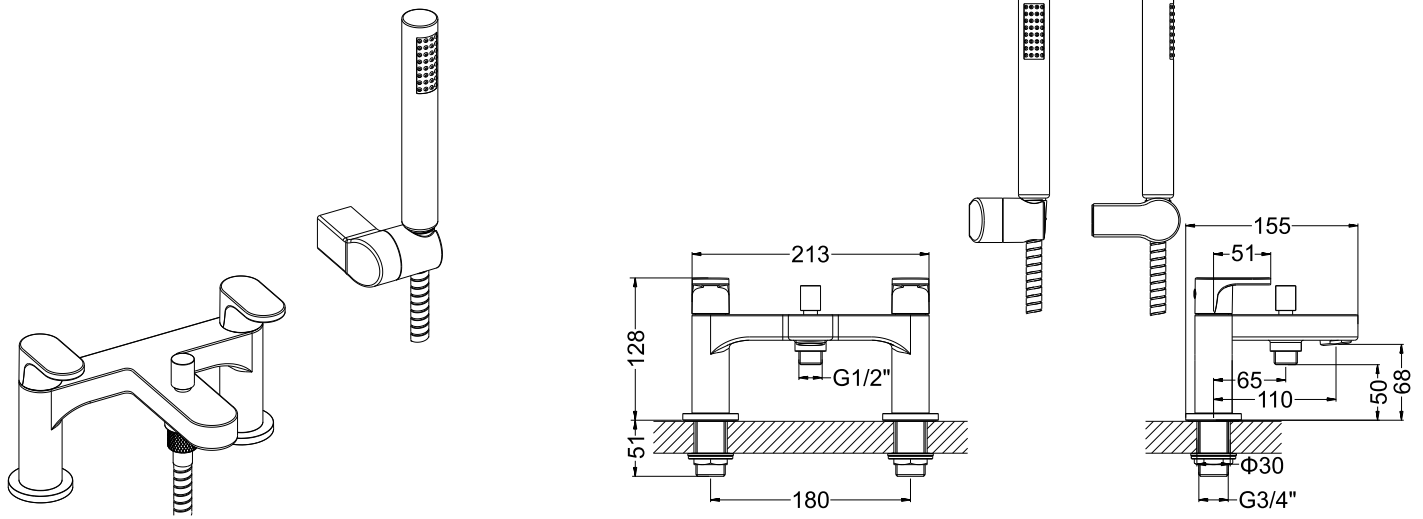


Specification Sheet



Bath Shower Mixer Dual Lever With Kit



Product Specification

- Product Code:** MBST422D
Finish: Chrome plated
Construction: Bodies of tap are solid brass castings and the handles are zinc cast
Valve Type: Quarter turn ceramic disc headwork
Supply: Suitable for all plumbing systems
Inlet Connection: G3/4" male tail
Water Pressure: Range from a minimum pressure of 0.2bar to a maximum pressure of 5bar
Net Weight: 2.3Kg

Technical Advice: For further information, please email technical@adora-bathrooms.co.uk or visit www.adora-bathrooms.co.uk

Guarantee: The product carries a 5 year guarantee, **excluding** the ceramic (head/cartridge) which is covered by a 12 month guarantee

Flow Rates(litres per minute)

System pressure	0.2bar	0.5bar	1bar	2bar	3bar
MBST422D	19.2	23.5	35.2	52.1	64.2

We reserve the right to make technical modifications without prior notice