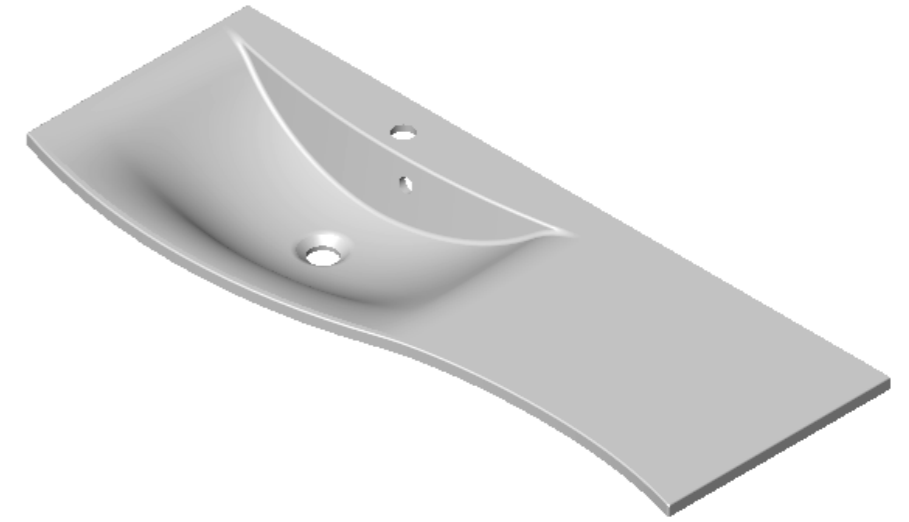
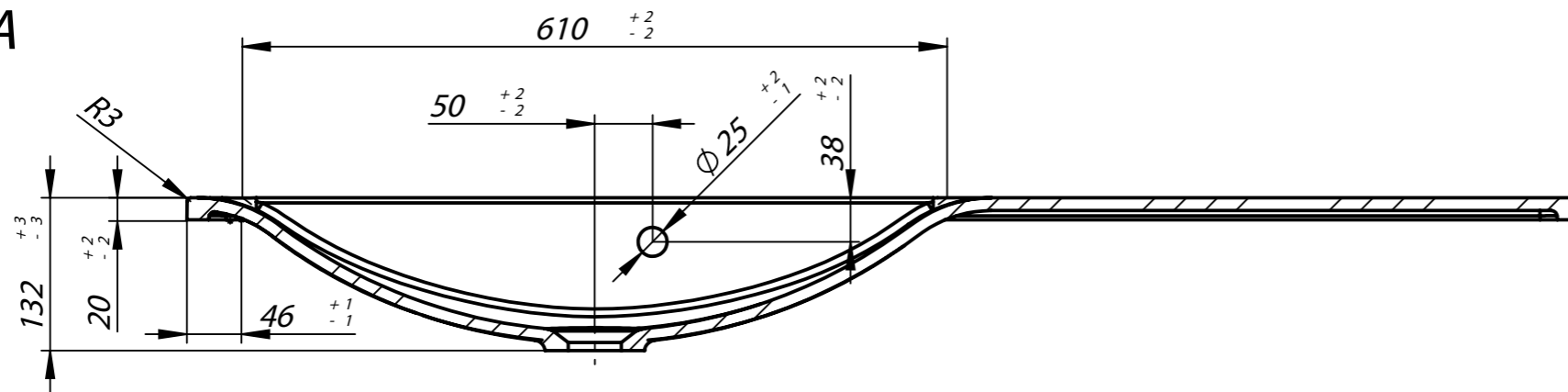


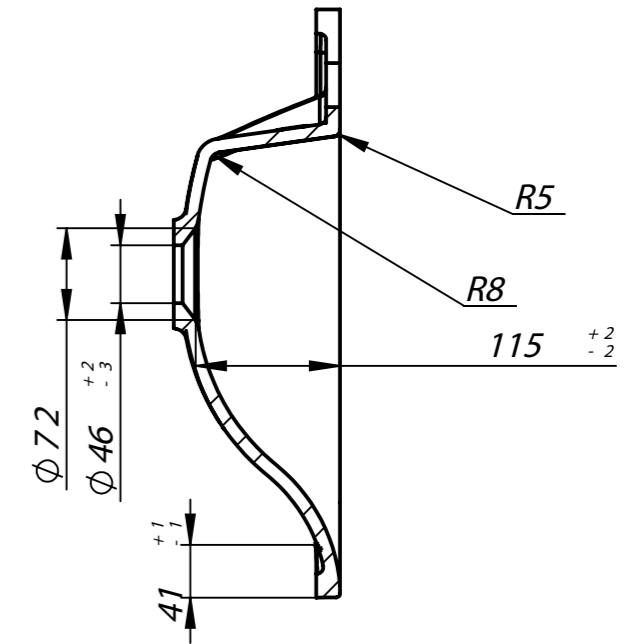
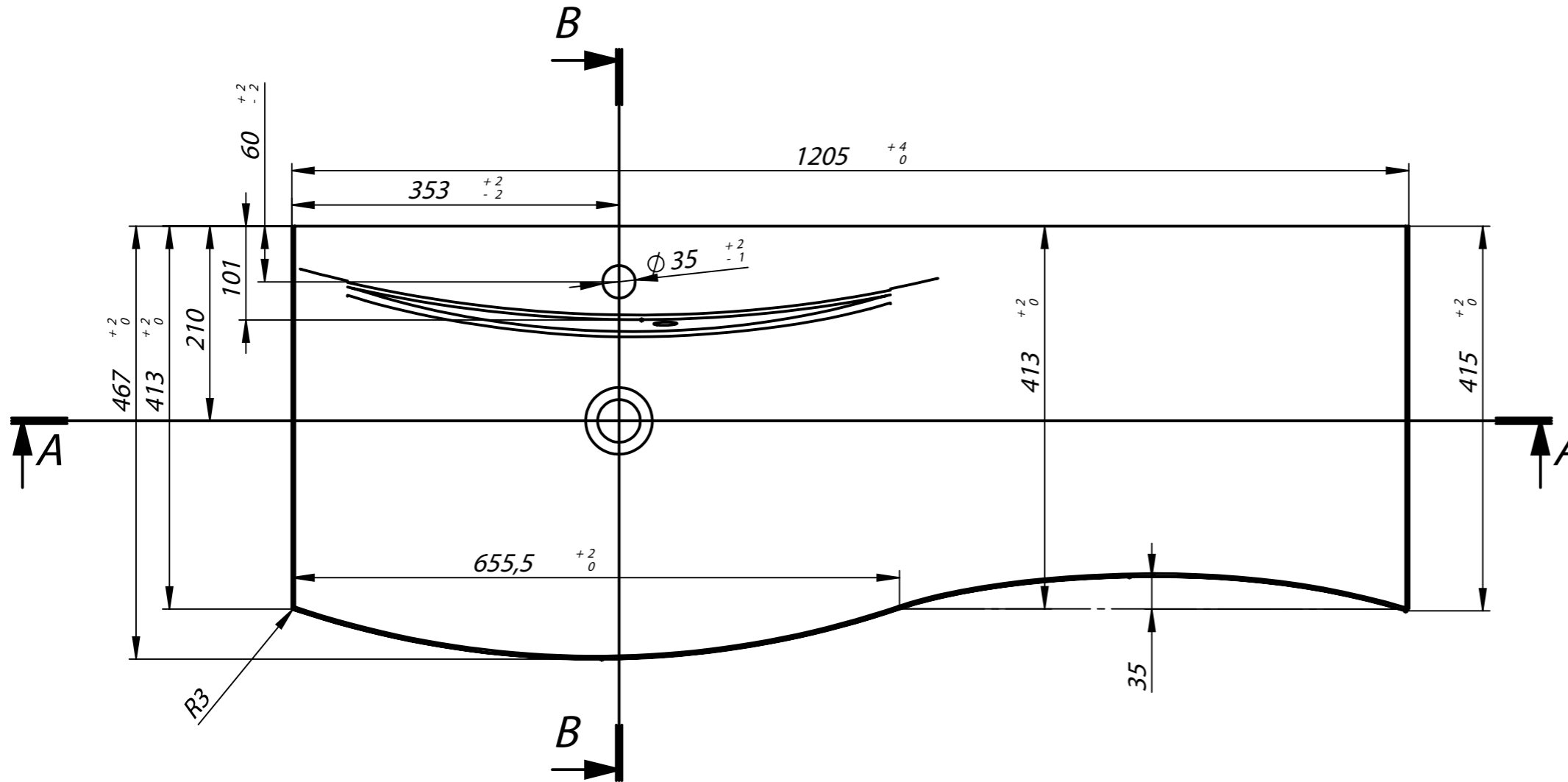
Drawing for approval

643_03_2013

A-A



B-B



Tolerances according to MA 002_2013

According to project		Crosswater		Material	dolomit	Localization	
	Date	Name	Signature	Name of drawing			
It constructed				Svelte 1200			
It has checked				A3			
It has approved							
Scale					Dimension gabarit	1205x467x132	Version

bauhaus

