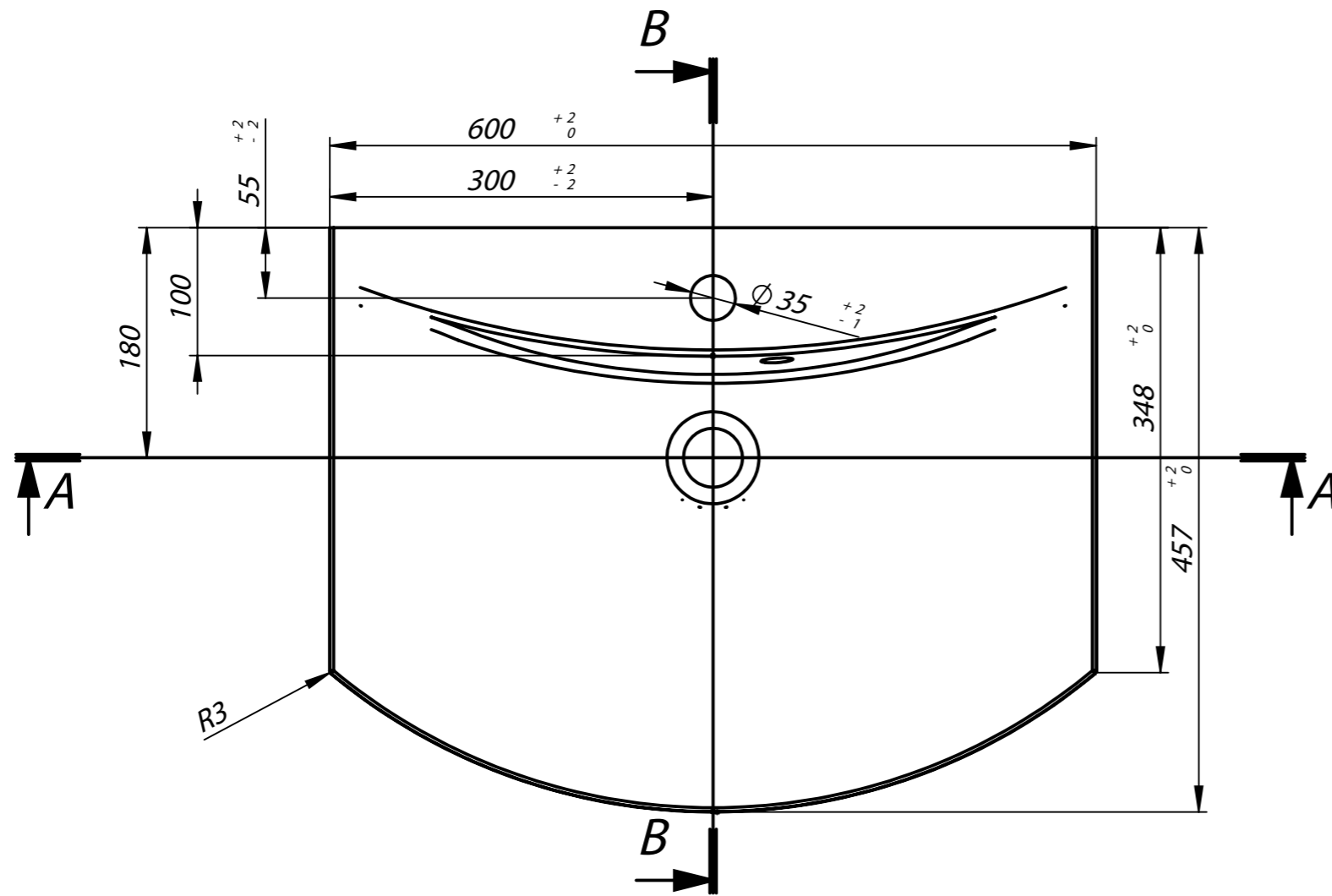
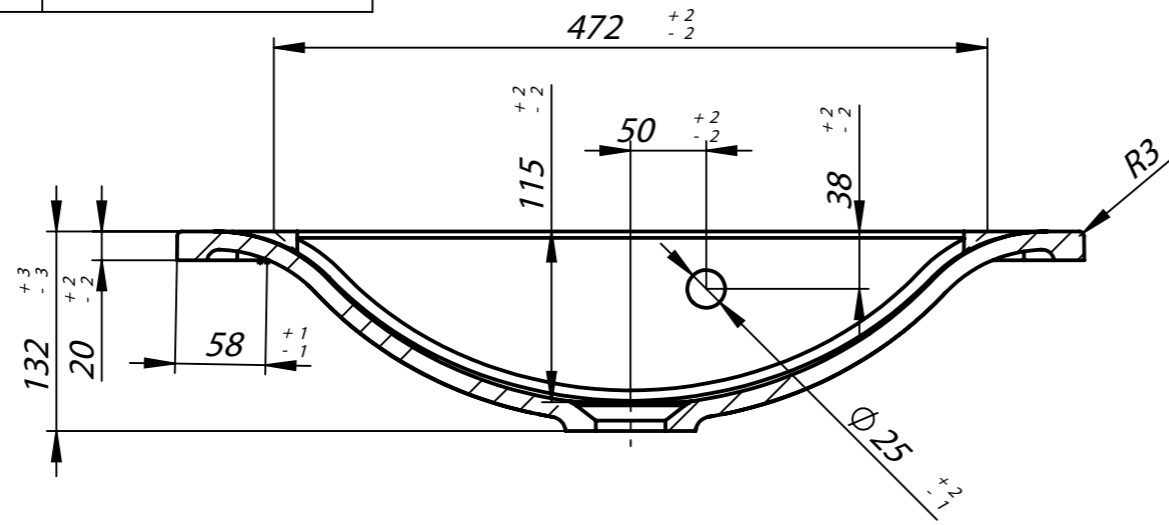


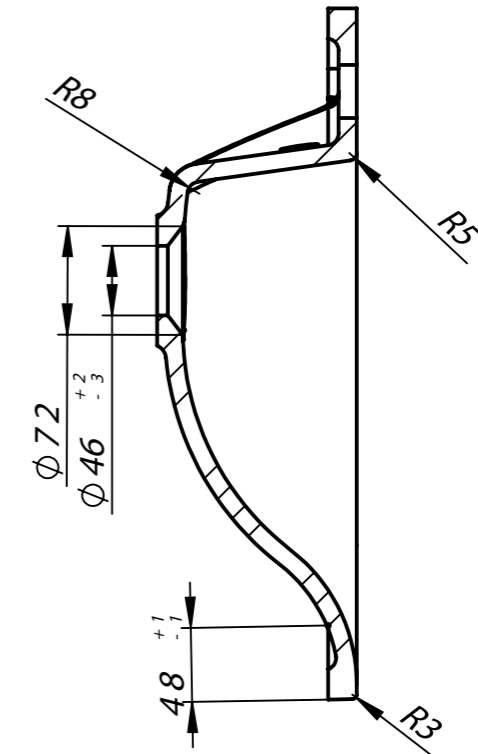
Drawing for approval

643\_02\_2013

A-A



B-B



Tolerances according to MA 002\_2013

According to project		MDS dla Crosswater		Material	dolomit	Localization	
	Date	Name	Signature	Name of drawing			
It constructed				Svelte 600			
It has checked							
It has approved							
Scale					Dimension gabarit	600x457x132	
						Version	A3

bauhaus

