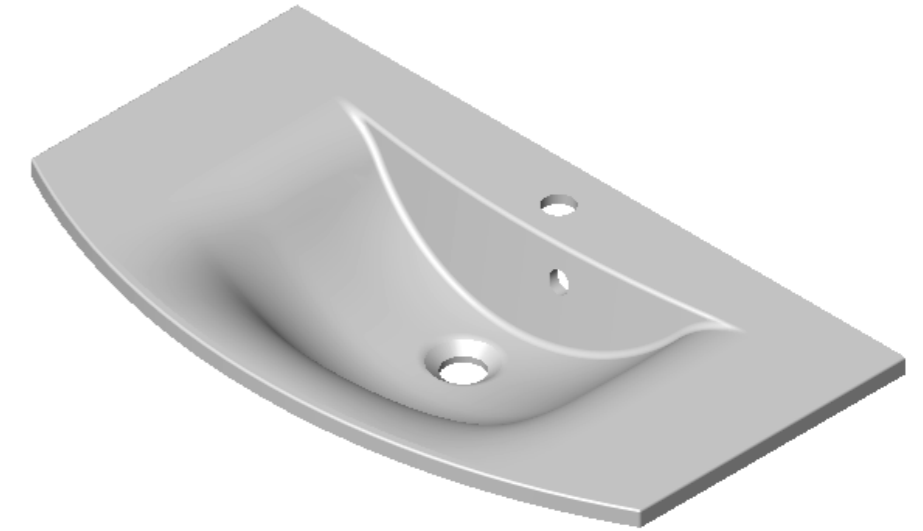
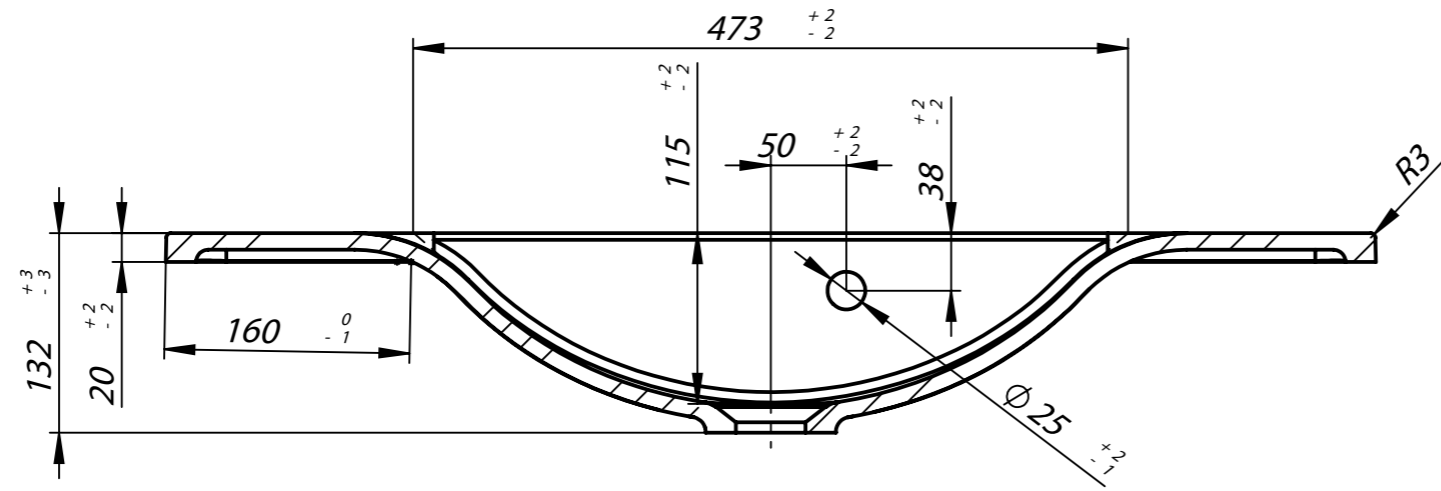
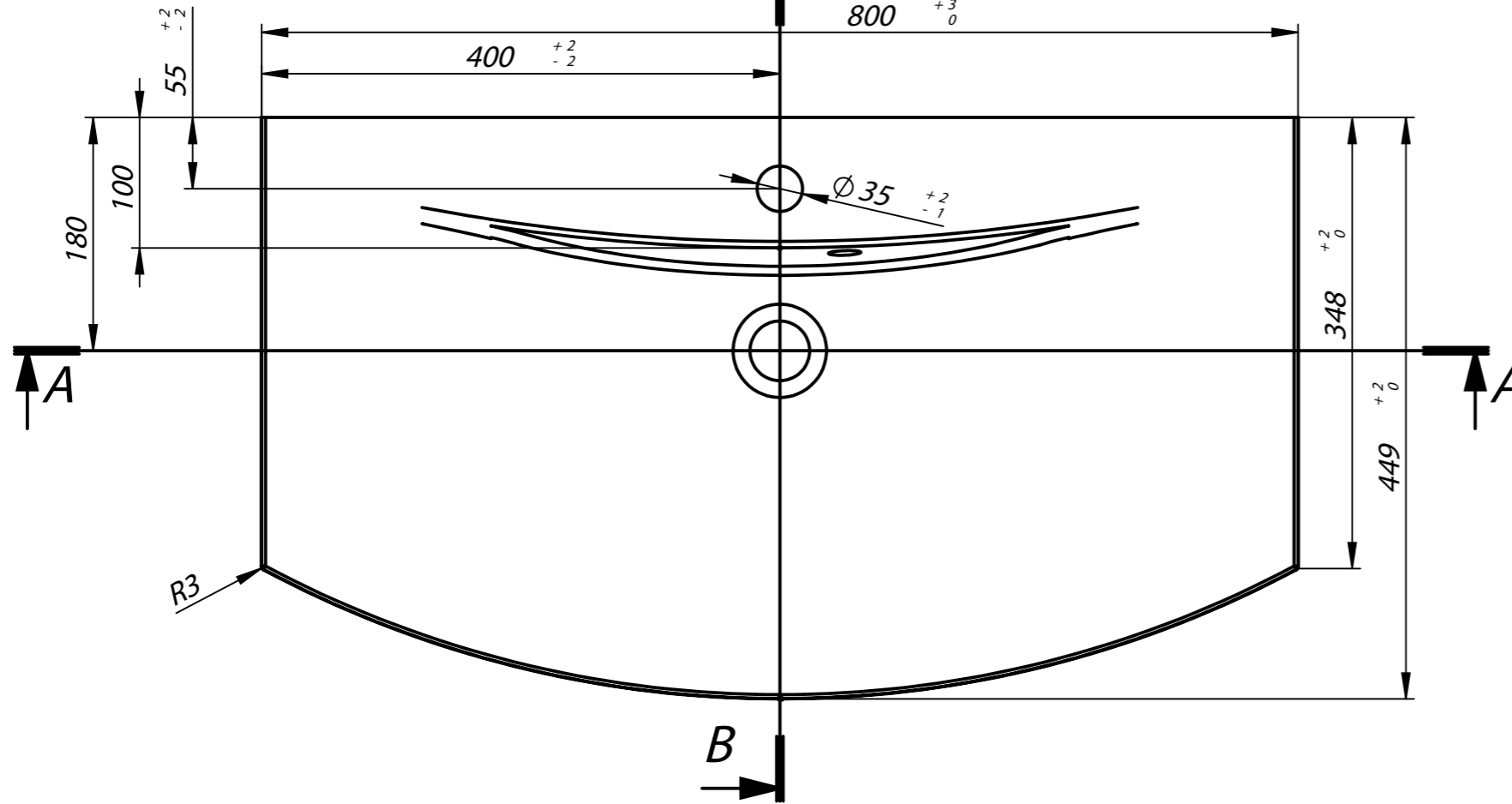


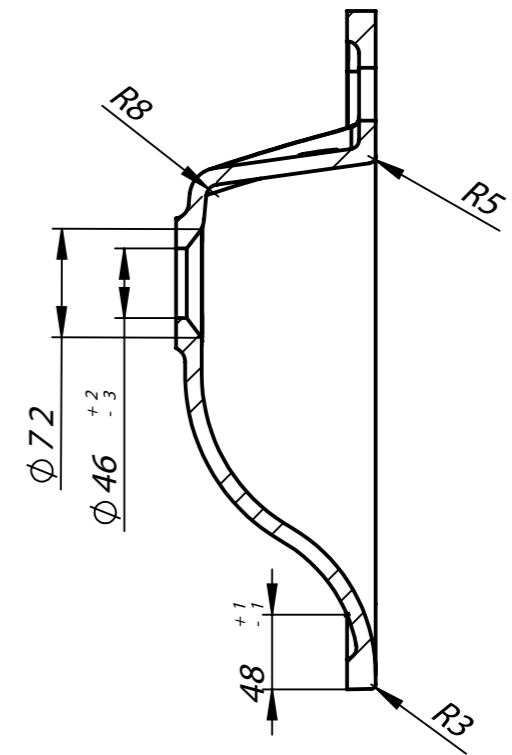
A-A



B



B-B



Tolerances according to MA 002_2013

According to project	MDS dla Crosswater		Material	dolomit	Localization
	Date	Name	Signature	Name of drawing	
It constructed				Svelte 800	
It has checked				A3	
It has approved				Dimension gabarit	
Scale					800x449x132
				Version	

bauhaus



A3