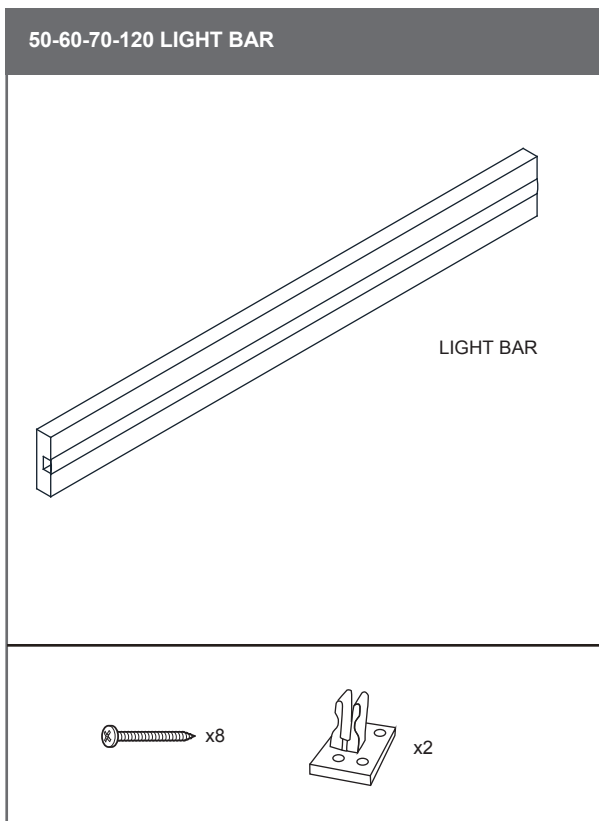


LIGHT BAR ASSEMBLY



Tools & equipment needed: Phillips screwdriver

Transformer, LED strip, light diffuser are included and assembled in the bar.



IMPORTANT - Advice and safety - Please read before installation

Please read these instructions carefully before starting installation and keep in a safe place for future reference.

Check the contents of the pack carefully before installation. Bauhaus will not be held responsible for any de-fit / re-fit costs where faulty product has been fitted.

If any fault is found with materials or workmanship, it must be reported immediately to the manufacturer. Remedial action will be taken, based on information received, on condition that:

1. Full details are supplied to the manufacturer; 2. The product has not been modified or tampered with; 3. The manufacturer is informed of any damage/shortages prior to installation.

We do not accept responsibility for any problems that may occur through incorrect installation.



Advice & Safety

This product should only be installed by a suitably qualified Plumber/installer. Should the installation be completed by a non-qualified person any product guarantee maybe considered invalid. For a claim made under our warranty written certification of your installers qualifications can be required.

It is advised that all doors and drawers are removed prior to fitting to avoid unnecessary damage occurring.

Ensure the room is well heated and ventilated.

It is recommended that walls are fully tiled before furniture and accessory installation. This ensures that the product is installed flat to the tile face and allows product to be easily removed if required in the future.

These instructions have been prepared for your guidance, you must exercise due care at all times.

Please note that some units are heavy. Always take care when lifting, and follow health and safety guidelines. It is recommended that 2 people carry out the installation of larger basin/vanity units.

Handle glass with care. Although the glass supplied is toughened safety glass (to BS6206), impacts can damage both the glass and the furniture.

Warning! Please check for any hidden pipes or electrical cables before drilling holes in the floor or walls.

When using power tools always follow the manufacturer's user instructions.

Do not over tighten tap or waste fittings, doing so may result in damaging the basin.

Care & Cleaning

NEVER use products containing bleach, cleaners of a gritty or abrasive nature or so called "glass and mirror" cleaning products. Use a well wrung chamois leather or micro fibre cloth for furniture carcasses.

Ceramic fine fire clay wash basins should only be cleaned with a mild detergent or warm soapy water; in hard water areas a good quality limescale remover can be applied.

Clean mirrors only with a micro fibre cloth.

If any maintenance is required then it must be carried out by a qualified Plumber.

bauhaus

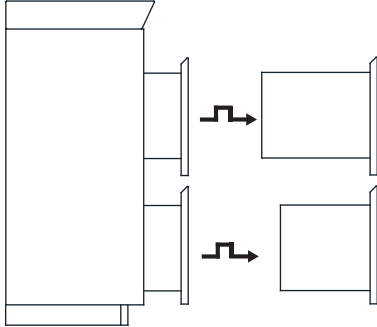
INSTALLATION INSTRUCTIONS

Light Bar Installation

Step 1

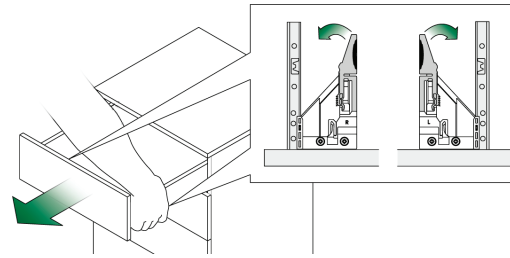
Remove the drawers

Remove the drawer before installation.



500-600-700 Basin Unit

Pull the drawer fully out, lift the front, pull out again, lower and fully remove.



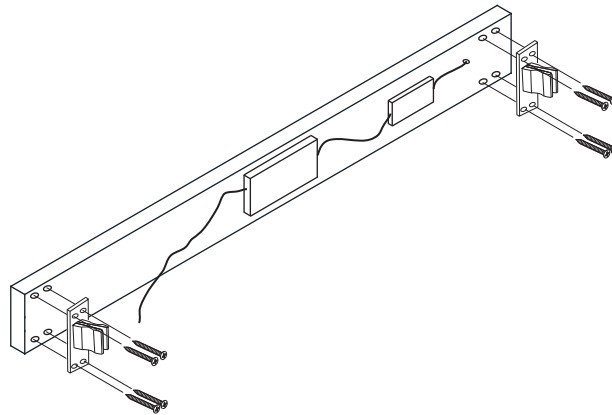
1200 Basin Unit

Pull out the drawer, actuate the lever of the front locking device on both sides and pull the drawer off the slide towards the front.

Step 2

Screw the clamp in the light bar

At back of light bar are the holes for the screw.

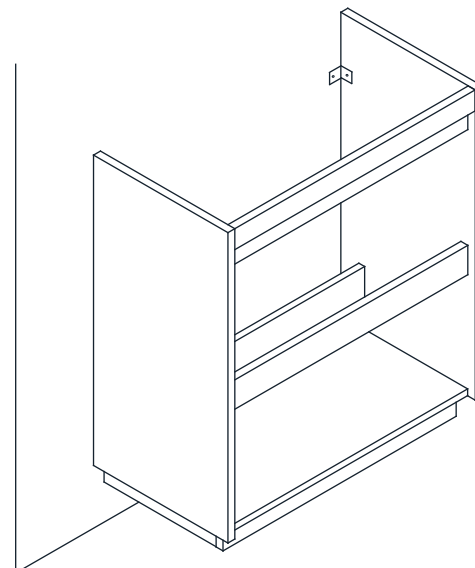


Step 3

Remove the middle bar and insert the light bar

- a: Pull the fixed bar until it comes out.
- b: Place the light bar in the fixed bar position.
- c: Push the light bar until the clamp fit.

Important: Is not necessary push and pull excessively strong



bauhaus^x

For any further information please contact
Bauhaus on: **0845 873 8840**

Or visit our web-site at:
www.crosswater.co.uk

The manufacturer reserves the right to make technical
modifications without prior notice.