

PRODUCT DATA SHEET



PRODUCT CODE

VTR760X1200W

RANGE

25mm Vito

DESCRIPTION

Vito Rectangle Shower Tray 760x1200
25mm

WEBSITE LINK [Click Here](#)

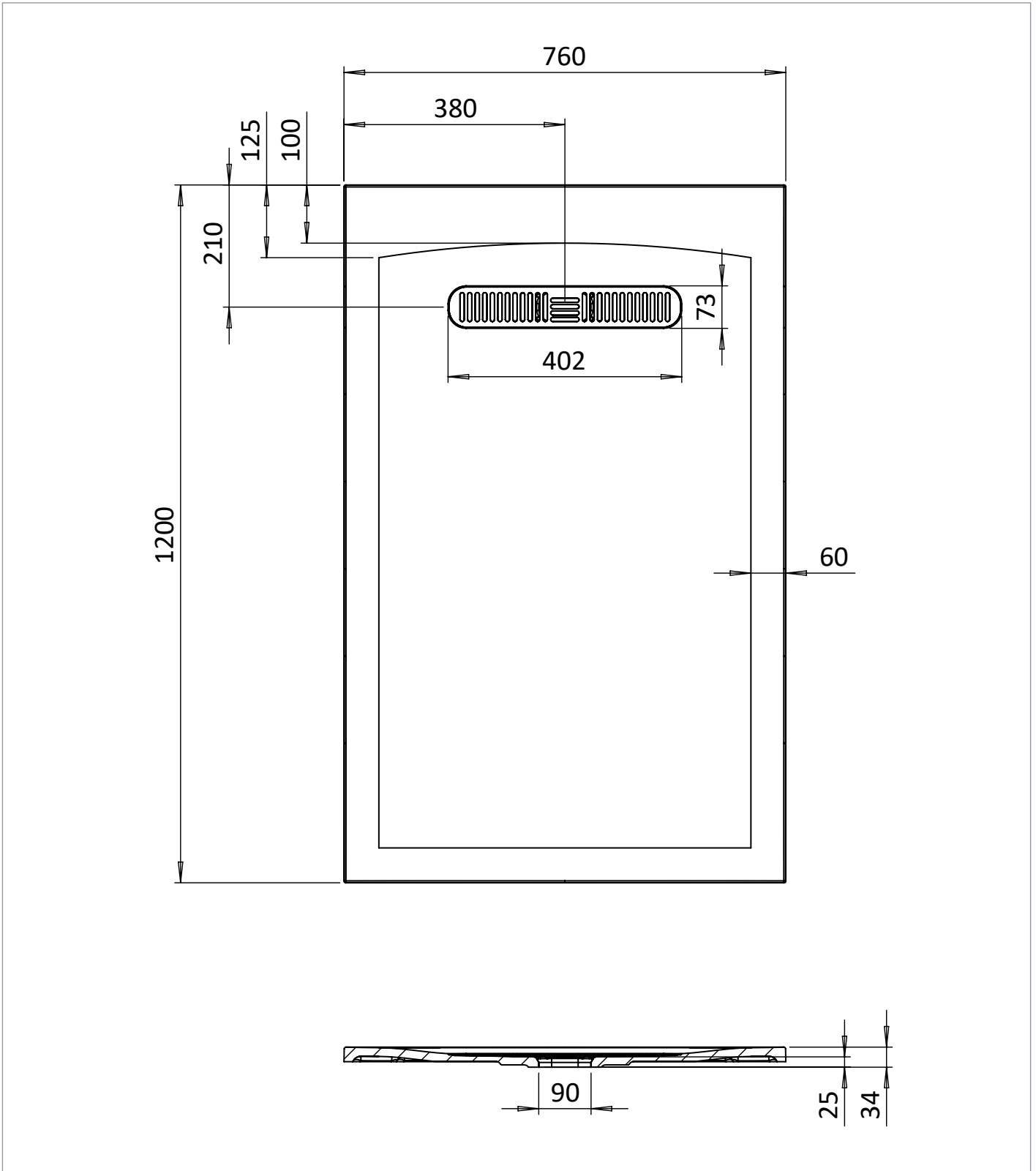
CATEGORY	Showering
WARRANTY DETAILS	Lifetime
COLOUR	Gloss White
FINISH APPLICATION	Gelcoat/Nanocoat
PRIMARY MATERIAL	Engineered Stone
INSTALL TYPE	Floor Mounted
PRODUCT WIDTH MM	760
PRODUCT HEIGHT MM	25
PRODUCT LENGTH MM	1200
PRODUCT NET WEIGHT KG	30.65
STANDARDS	EN 14527:2016+A1:2018

WASTE INCLUDED	No
WASTE WATER FLOW RATE LPM	32
OUTER EDGE DIMENSION - TRAYS (MM)	60
WASTE LOCATION	End drain
ANTI-SLIP CLASS	Class A DIN 51097
WASTE SHAPE	Rectangular
DRYING AREA	No
RISER KIT COMPATIBLE	Yes
RISER KIT INCLUDED	No
TRAY PLANE TOLERANCE MM	+2/-2 mm
TRAY WIDTH TOLERANCE MM	+5/0 mm
TRAY LENGTH TOLERANCE MM	+5/0 mm
TRAY HEIGHT TOLERANCE MM	+2/-2 mm
TRAY WASTE HOLE TOLERANCE MM	+1/-1 mm
WASTE HOLE DIAMETER MM	90

TECHNICAL DIMENSIONS

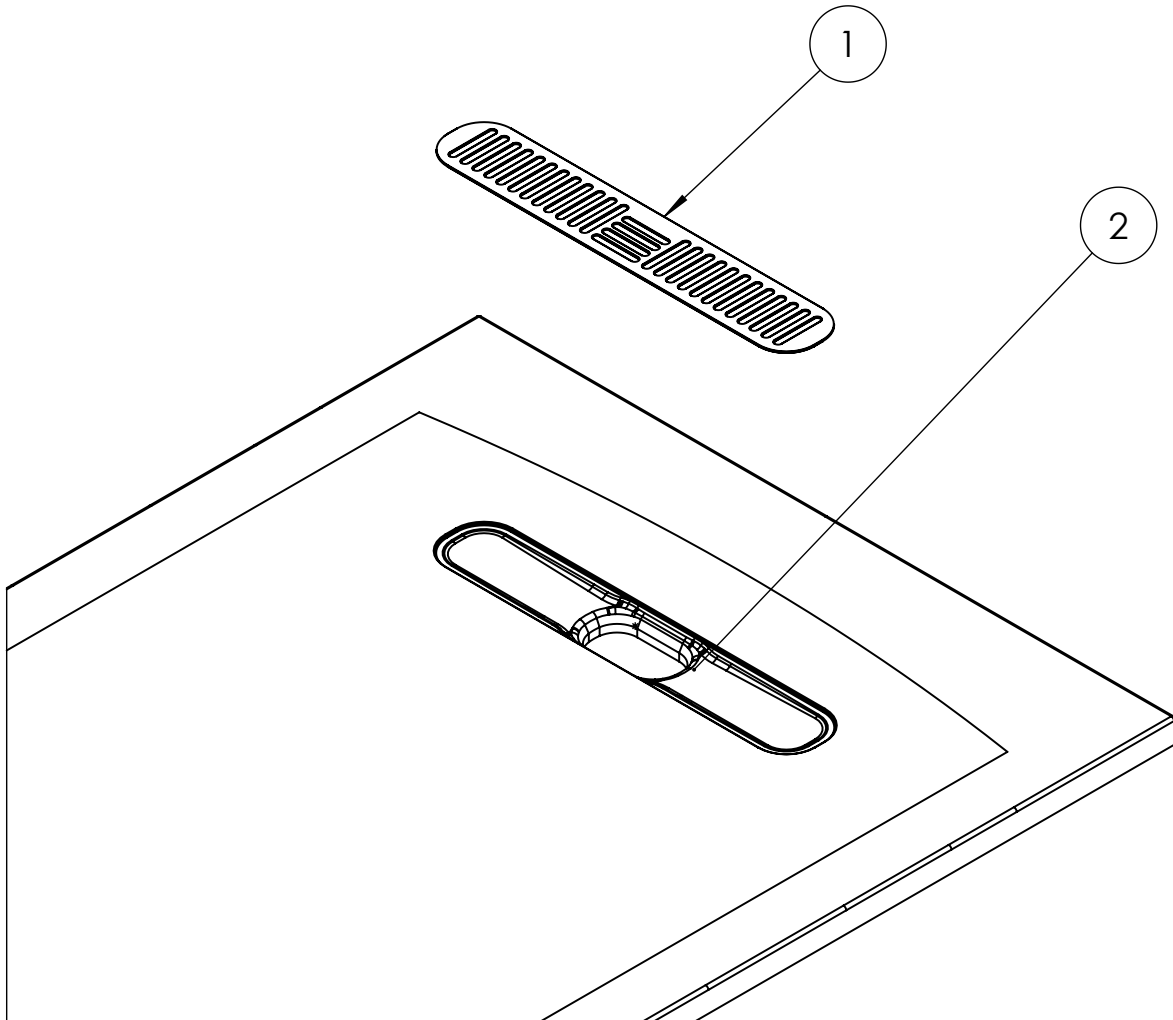
Dimensions in mm unless otherwise specified.

Tolerances (per material type) apply.



SPARES LIST

Only the parts labelled are available as spares.



NUMBER	PART CODE	DESCRIPTION
1	VITOWASTEW	Vito Shower Waste Cover White
2	VITOFLLANGE	Vito Shower Waste Flange
	MINERALPOLISH	Cast Mineral Marble Polishing Compound
	MINERALREPAIRKITWG	Cast Mineral Marble Repair Kit White Gloss
	MINERALTOUCHKITWG	Cast Mineral Marble Touch Up Kit White Gloss