

PRODUCT DATA SHEET



PRODUCT CODE

TS110DNSF

RANGE

3ONE6

DESCRIPTION

3ONE6 Basin Mono Stainless Brushed Brass Effect

WEBSITE LINK [Click Here](#)

CATEGORY	Brassware
WARRANTY DETAILS	15 Years
COLOUR	Brushed Brass Effect PVD
FINISH APPLICATION	PVD
PRIMARY MATERIAL	316 Stainless Steel
INSTALL TYPE	Deck Mounted
PRODUCT WIDTH MM	45
PRODUCT HEIGHT MM	146
PRODUCT NET WEIGHT KG	0.98
STANDARDS	BS EN 817:2008

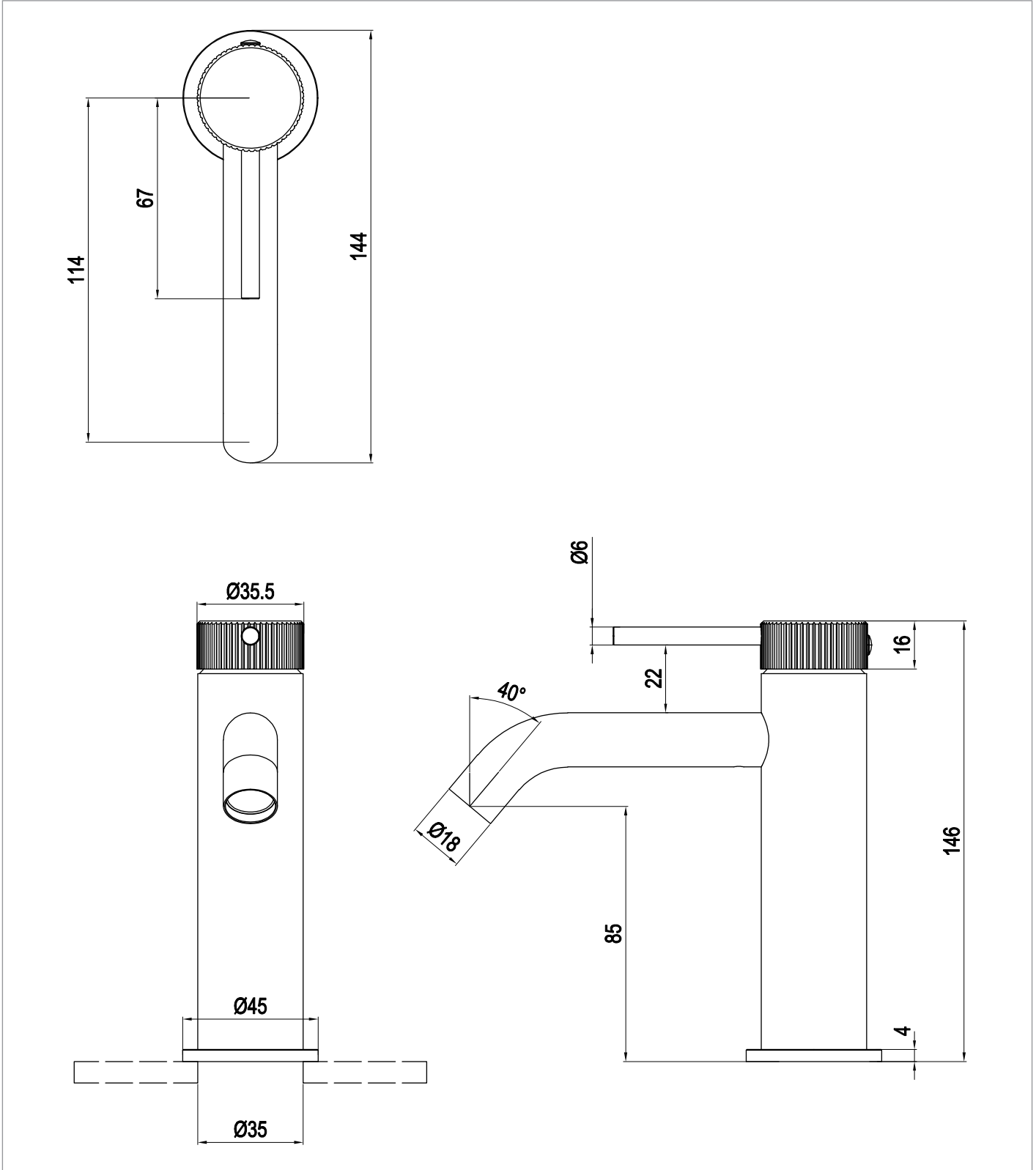
MINIMUM PRESSURE (BAR)	1
MAX WORKING PRESSURE (BAR)	5
NUMBER OF OUTLETS	1
NUMBER OF FUNCTIONS	1
HEADWORK	25mm Single lever ceramic cartridge
SPOUT PROJECTION	114
SWIVEL SPOUT	No
INLET CONNECTIONS THREAD	G1/2"
OUTLET CONNECTIONS THREAD	M16.5x1
FLOW REGULATOR	Cache M16.5x1
WASTE INCLUDED	No
ANTI-SCALD	No
ENERGY SAVING	No
SHOWER HOSE & HANDSET ARE INCLUDED	No

PRESSURE (BAR)	0.2	0.5	1	2	3	4	5
PRIMARY FLOWRATE			3.2	4.63	5.58	5.96	5.48
HANDSET FLOWRATE							
MESSAGE FLOW RATE							
AIR FLOW RATE							
WIRE FLOW RATE							
WATERFALL FLOW RATE							
MIST FLOW RATE							
HANDSPRAY FLOW RATE							

TECHNICAL DIMENSIONS

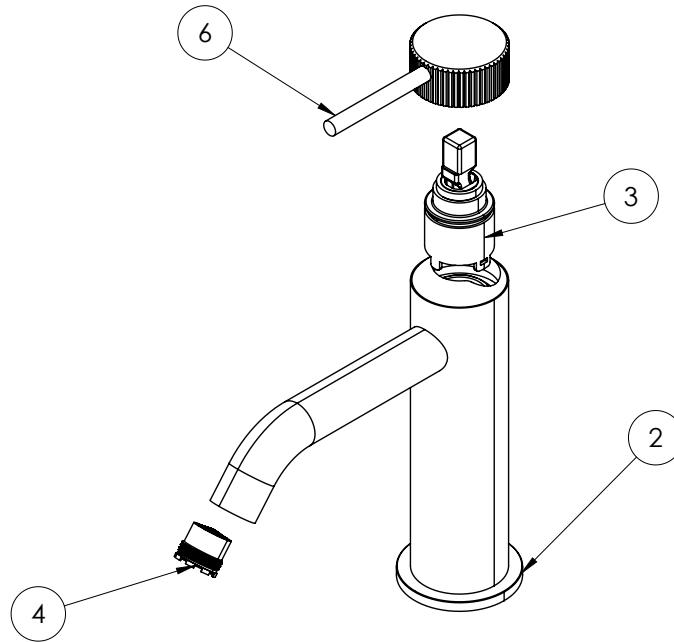
Dimensions in mm unless otherwise specified.

Tolerances (per material type) apply.



SPARES LIST

Only the parts labelled are available as spares.



NUMBER	PART CODE	DESCRIPTION
1	B19002200-YY	TS110 FLEXIBLE TAIL (G1_2xM8x1-45CM)
2	A060111000	TS110_112DNS Base Ring
	A060111001	TS110/112DNSF Base Ring
	A060111002	TS110/112DNST Base Ring
3	A060110700	TS110_112DNS Cartridge
4	A060110800	3ONE6 Basin Aerator
5	B14001300	TS110DNS/F/T Fixing Kit
6	A060110300	TS110_112DNS Lever
	A060110302	TS110/112DNST Lever
	A060110301	TS110/112DNSF Lever