

# PRODUCT DATA SHEET



**PRODUCT CODE**

SE1000SDGA+

**RANGE**

SVELTE

**DESCRIPTION**

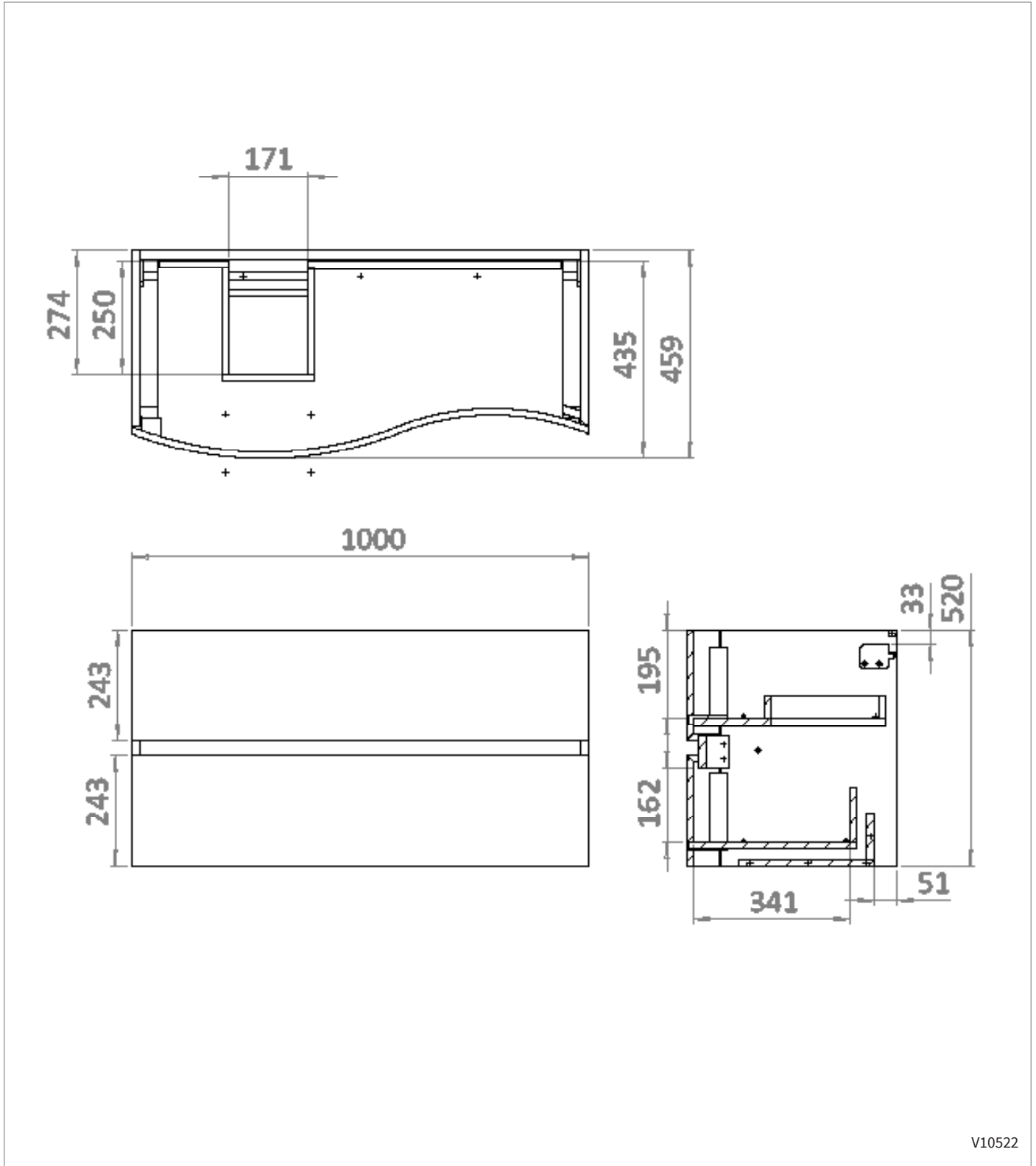
1000mm S Basin Unit Grey Ash Veneer

<b>COLOUR</b>	Grey Ash Veneer
<b>COLOUR CODE/ REFERENCE</b>	Crosswater Exclusive
<b>MATERIAL</b>	Real Wood Veneer 18mm MDF
<b>STANDARDS</b>	EN 13986 EN 14749
<b>INSTALLATION TYPE</b>	Wall-Mounted
<b>DRAWER BOX</b>	Textile Finish MFC Concealed Runners
<b>DRAWER RUNNERS</b>	BLUM Tandem Box - Soft Close Pull To Open
<b>DRAWER EXTENSION</b>	Full Extension
<b>DRAWER ADJUSTMENT</b>	3 Way
<b>DRAWER CAPACITY</b>	30kg
<b>WALL HANGERS</b>	CAMAR With Safety Lock - Factory Fitted 120kg Load Capacity On A Solid Wall 3 Way Adjustment
<b>WEIGHT</b>	45kg
<b>WARRANTY</b>	10 Years

## TECHNICAL DIMENSIONS

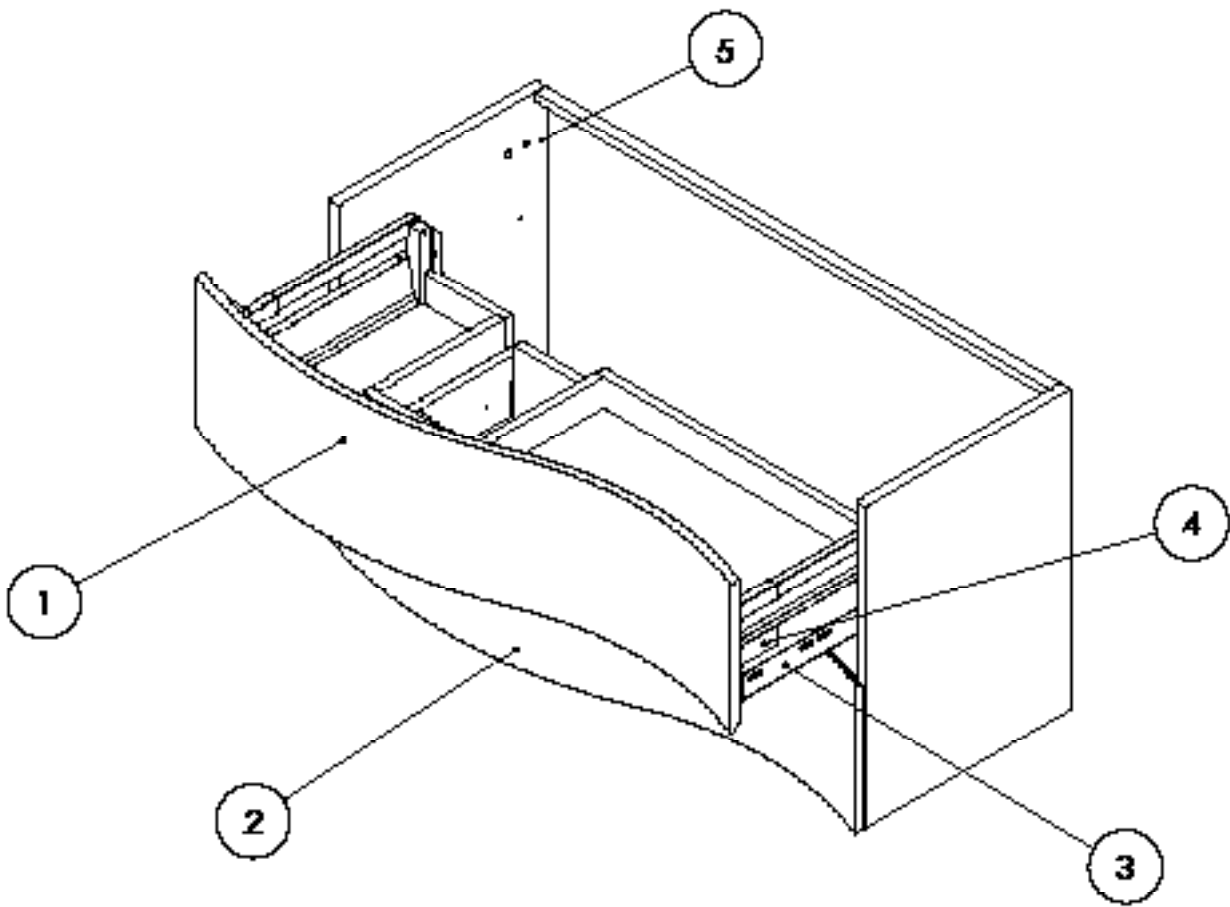
Dimensions in mm unless otherwise specified.

Tolerances (per material type) apply.



V10522

## SPARES DIAGRAM



Only the parts labelled are available as spares.

V10522

## SPARES DIAGRAM

NUMBER	PART CODE	DESCRIPTION
1	TDF_100SEDGA	Top Drawer Front from SE1000SDGA+
	TDF_100SDSG	Top Drawer Front from SE1000SDSG+
	TDF_100SEDWG	Top Drawer Front from SE1000SDWG+
	TDF_100SEDAW+	Top Drawer Front from SE1000SDAW+
	TDF_100SEDOB+	Top Drawer Front from SE1000SDOB+
	TDF_100SDCO+	Top Drawer Front from SE1000SDCO+
2	BDF_100SEDGA	Bottom Drawer Front from SE1000SDGA+
	BDF_100SDSG	Bottom Drawer Front from SE1000SDSG+
	BDF_100SEDWG+	Bottom Drawer Front from SE1000SDWG+
	BDF_100SEDAW+	Bottom Drawer Front from SE1000SDAW+
	BDF_100SEDOB+	Bottom Drawer Front from SE1000SDOB+
	BDF_100SDCO+	Bottom Drawer Front from SE1000SDCO+
3	RUNNERS_SVELTE	Drawer Runners from the Svelte Furniture
4	SECLIPS	Svelte Drawer Covers x4
5	WB897ASZ16070	Wall Bracket x2

We recommend purchasing the top and bottom drawer fronts for the following codes to ensure the continuity of the naturally formed veneer pattern:

American Walnut

Castilla Oak

Grey Ash

Only the parts labelled are available as spares.

V10522