

PRODUCT DATA SHEET



PRODUCT CODE

GRDEFHINGEBZ

RANGE

Gallery

DESCRIPTION

Gallery Deflector Panel Hinge x2
Brushed Bronze

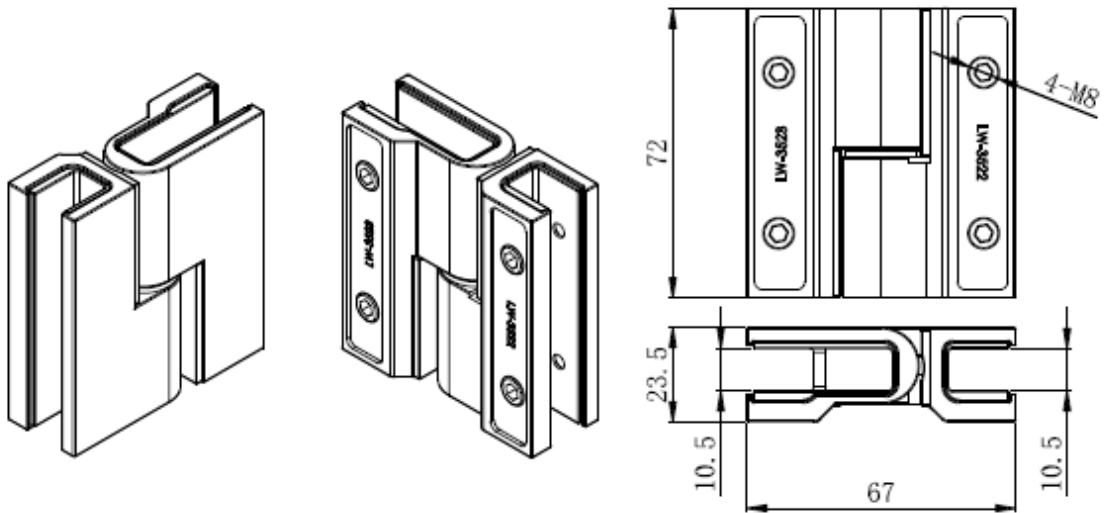
WEBSITE LINK [Click Here](#)

CATEGORY	Showering
WARRANTY DETAILS	2 Years
COLOUR	Brushed Bronze
FINISH APPLICATION	PVD
PRIMARY MATERIAL	304 Stainless Steel
INSTALL TYPE	Wall Mounted
PRODUCT WIDTH MM	72
PRODUCT LENGTH MM	67
PRODUCT NET WEIGHT KG	1
STANDARDS	EN14428

TECHNICAL DIMENSIONS

Dimensions in mm unless otherwise specified.

Tolerances (per material type) apply.



SPARES LIST

Only the parts labelled are available as spares.

SPARES AVAILABLE UPON REQUEST