

PRODUCT DATA SHEET



PRODUCT CODE

FOMOD1601LBPM

RANGE

Module

DESCRIPTION

Module Foile 2 Handle With Bath Spout
Matt Black

WEBSITE LINK [Click Here](#)

| | |
|-----------------------|----------------|
| CATEGORY | Brassware |
| WARRANTY DETAILS | 15 Years |
| COLOUR | Matt Black |
| FINISH APPLICATION | Epoxy Coated |
| PRIMARY MATERIAL | Brass |
| INSTALL TYPE | Wall Mounted |
| PRODUCT WIDTH MM | 240 |
| PRODUCT HEIGHT MM | 70 |
| PRODUCT DEPTH MM | 277 |
| PRODUCT NET WEIGHT KG | 1.55 |
| STANDARDS | BS EN 200:2008 |

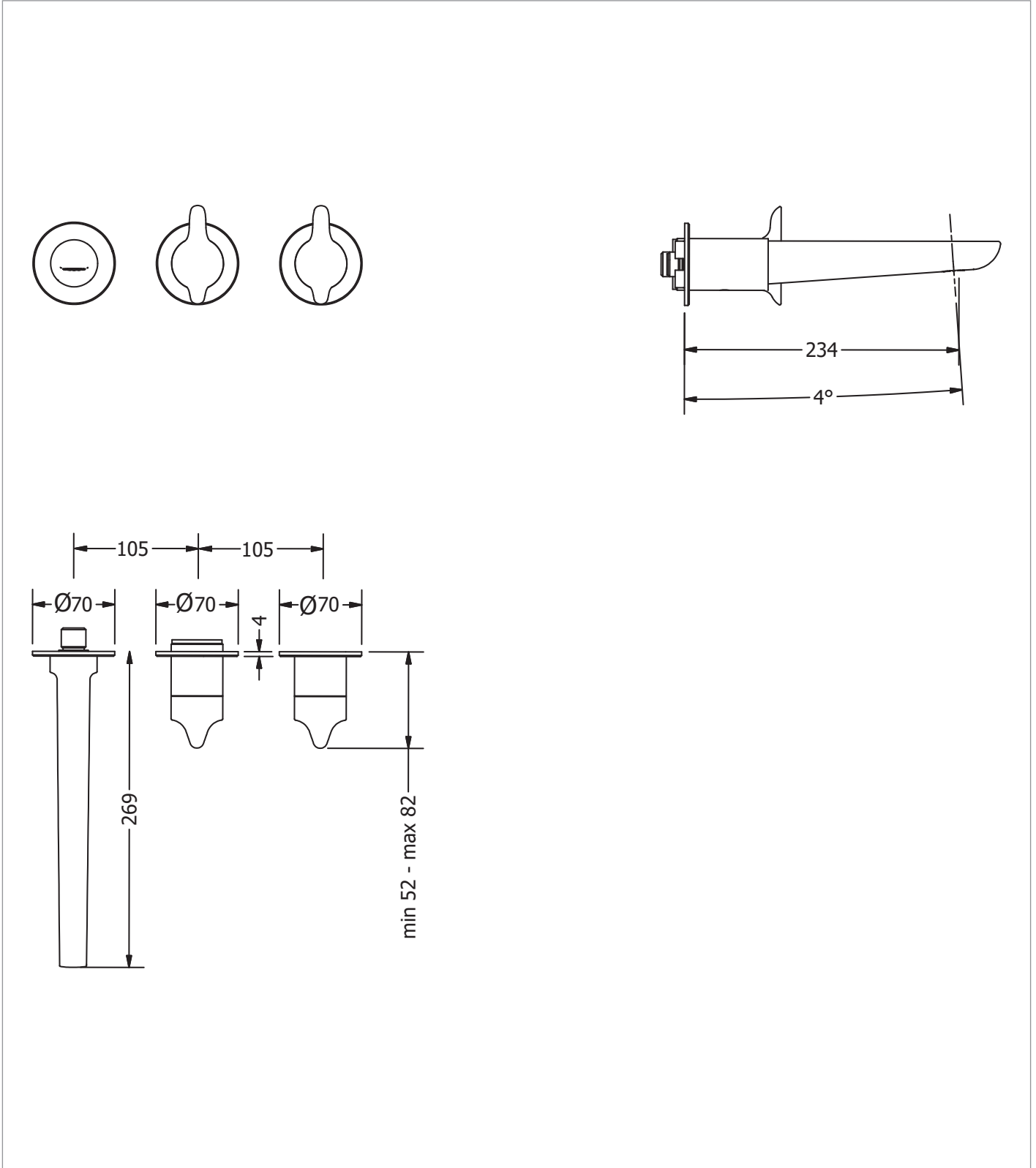
| | |
|------------------------------------|---------------|
| MINIMUM PRESSURE (BAR) | 1 |
| MAX WORKING PRESSURE (BAR) | 5 |
| NUMBER OF OUTLETS | 1 |
| NUMBER OF FUNCTIONS | 1 |
| SPOUT PROJECTION | 230 |
| INLET CONNECTIONS THREAD | G1/2" |
| FLOW REGULATOR | Cache M18.5x1 |
| WASTE INCLUDED | No |
| ANTI-SCALD | No |
| ENERGY SAVING | No |
| SHOWER HOSE & HANDSET ARE INCLUDED | No |

| PRESSURE (BAR) | 0.2 | 0.5 | 1 | 2 | 3 | 4 | 5 |
|---------------------|-----|-----|----|----|----|----|----|
| PRIMARY FLOWRATE | | | 10 | 14 | 18 | 18 | 18 |
| HANDSET FLOWRATE | | | | | | | |
| MESSAGE FLOW RATE | | | | | | | |
| AIR FLOW RATE | | | | | | | |
| WIRE FLOW RATE | | | | | | | |
| WATERFALL FLOW RATE | | | | | | | |
| MIST FLOW RATE | | | | | | | |
| HANDSPRAY FLOW RATE | | | | | | | |

TECHNICAL DIMENSIONS

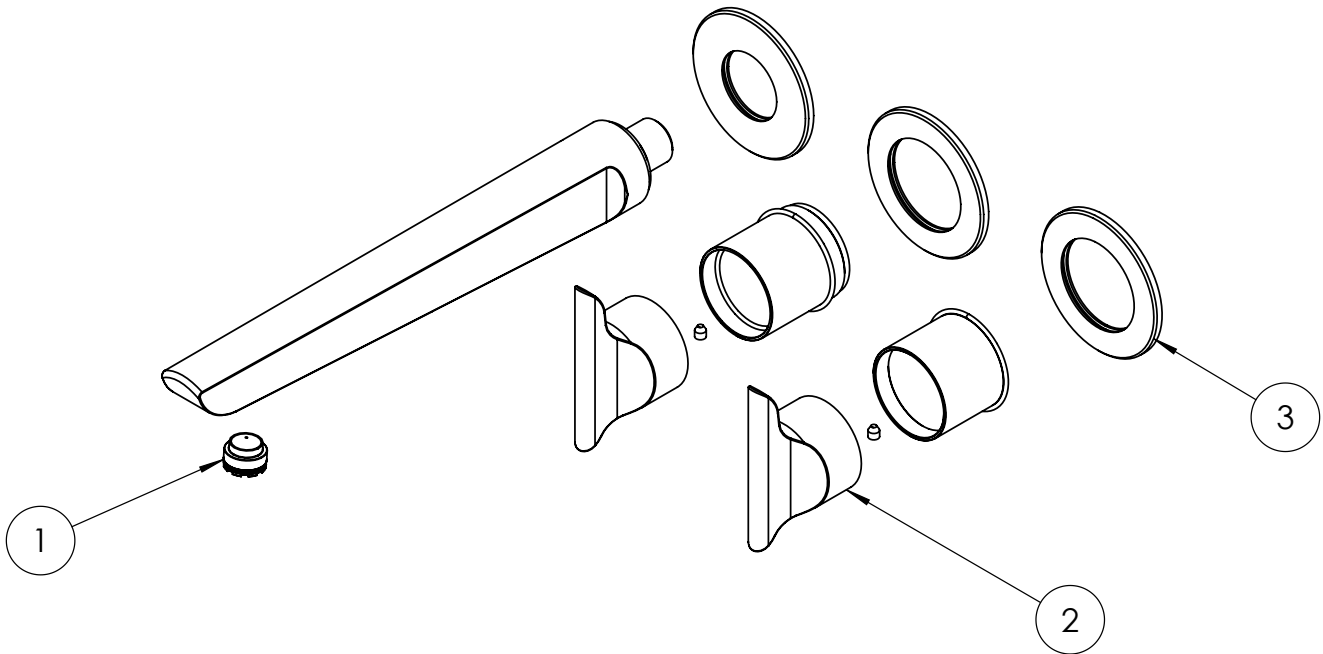
Dimensions in mm unless otherwise specified.

Tolerances (per material type) apply.



SPARES LIST

Only the parts labelled are available as spares.



| NUMBER | PART CODE | DESCRIPTION |
|--------|------------|---------------------------------------|
| 1 | 57FLSP004 | FO0370 Aerator |
| 2 | 57FLSP008C | Foile Module Handle Chrome |
| | 57FLSP008F | Foile Module Handle Brushed Brass |
| | 57FLSP008M | Foile Module Handle Matt Black |
| 3 | 57FLSP014C | Foile Module Wall Plate Chrome |
| | 57FLSP014F | Foile Module Wall Plate Brushed Brass |
| | 57FLSP014M | Foile Module Wall Plate Matt Black |