

PRODUCT DATA SHEET



PRODUCT CODE

LM5000MOAN

RANGE

LIMIT

DESCRIPTION

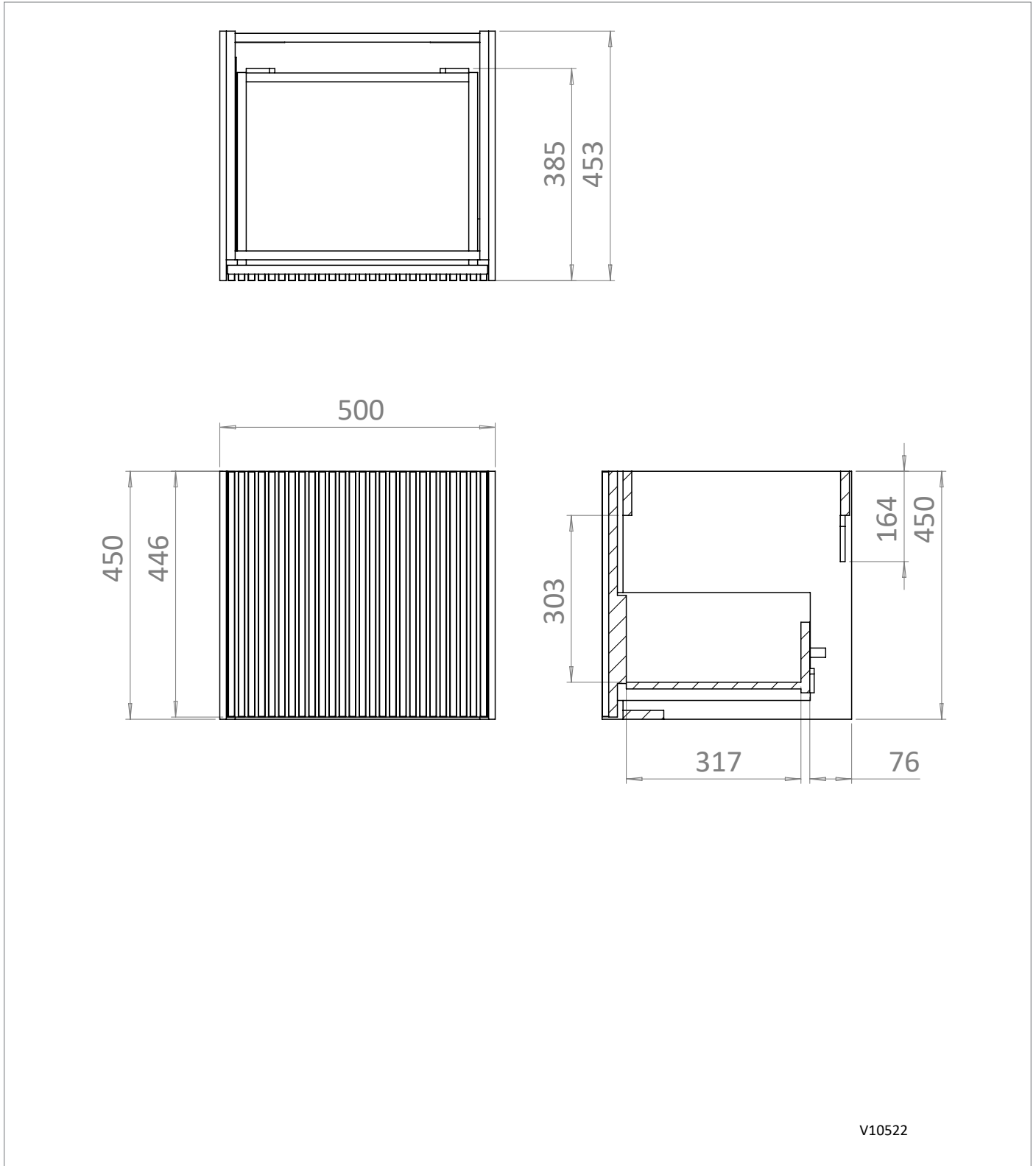
500mm Single Drawer Unit Modern Oak/Anthracite

COLOUR	Modern Oak/Anthracite
COLOUR CODE/ REFERENCE	Crosswater Exclusive
MATERIAL	MFC
STANDARDS	EN 13986 EN 14749
INSTALLATION TYPE	Wall-Mounted
DRAWER BOX	Anthracite NCS S7500-N with Concealed Runners
DRAWER RUNNERS	Push to Open, Soft Close
DRAWER EXTENSION	Full Extension Hettich V5 - 30kg Capacity
DRAWER ADJUSTMENT	5 Way
DRAWER CAPACITY	20kg
WALL HANGERS	ITALIANA FERRAMENTA LIBRA 6 120kg Load Capacity Per Pair on a Solid Wall
ADJUSTABLE FEET	No
WARRANTY	10 Years

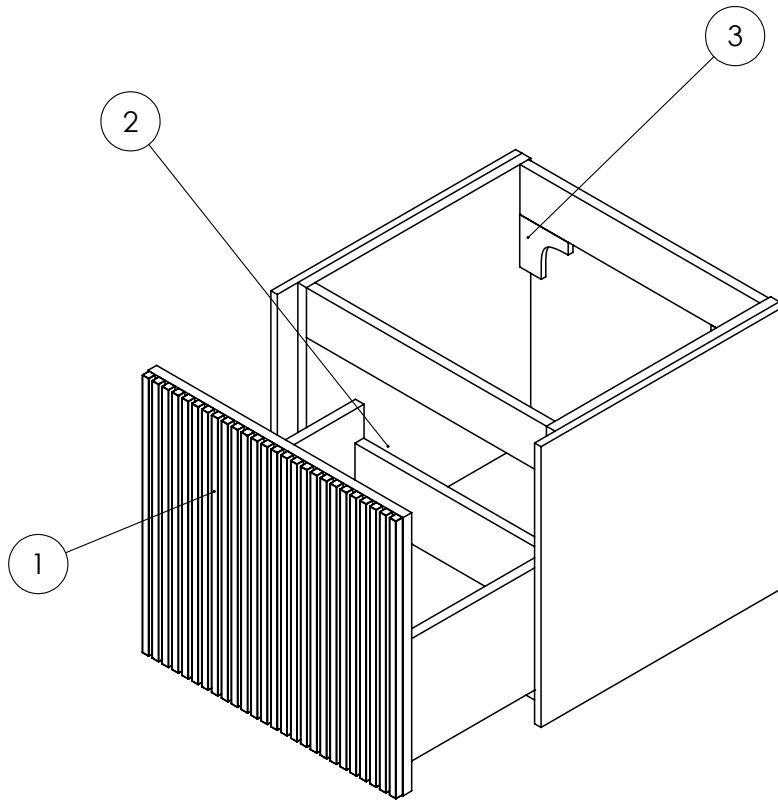
TECHNICAL DIMENSIONS

Dimensions in mm unless otherwise specified.

Tolerances (per material type) apply.



SPARES DIAGRAM



NUMBER	PART CODE	DESCRIPTION
1	DF_LM5000DMOAN	Limit Drawer Front LM5000DMOAN
	DF_LM5000DSTAN	Limit Drawer Front LM5000DSTAN
2	RUNNERSLIMIT1	Set of Drawer Runners x2 Limit Main Drawer
4	WBRACKETSLIMIT	Wall Brackets x2 Limit

V10522