

PRODUCT DATA SHEET



PRODUCT CODE

PRO330WF

RANGE

MPRO

DESCRIPTION

Bath 3H Filler Wall Mounted
Brushed Brass

MIN. PRESSURE 1 Bar

MAX. PRESSURE 5 Bar

PRESSURE (BAR) FLOWRATE

LOW 0.2 0.0

MID 0.5 0.0

1 32

2 47

HIGH 4 66

5 75

COLOUR Brushed Brass

MATERIAL Brass

FINISH APPLICATION PVD

INSTALLATION TYPE Wall-Mounted

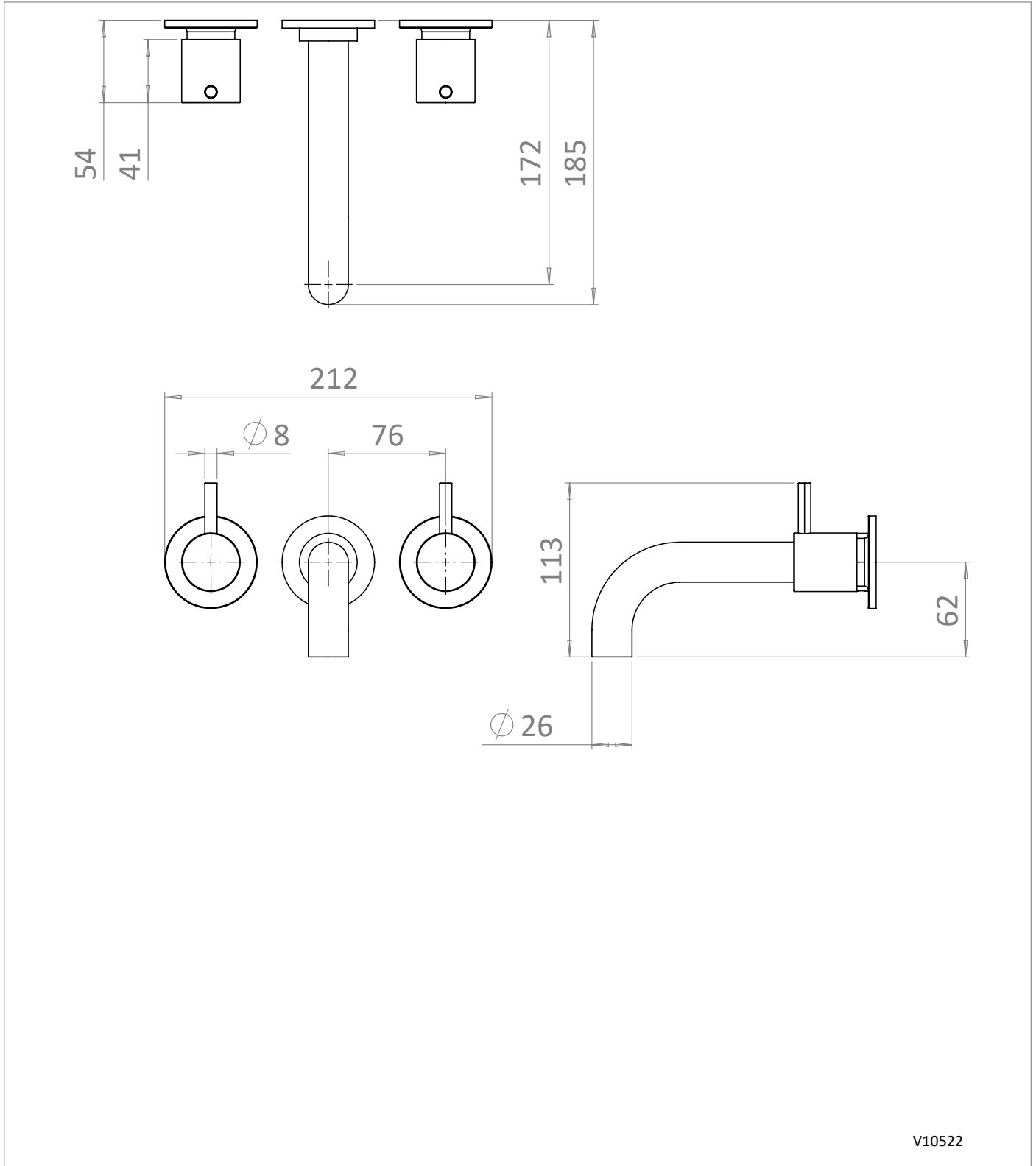
APPROVALS KIWA - 2001772

WARRANTY 15 Years

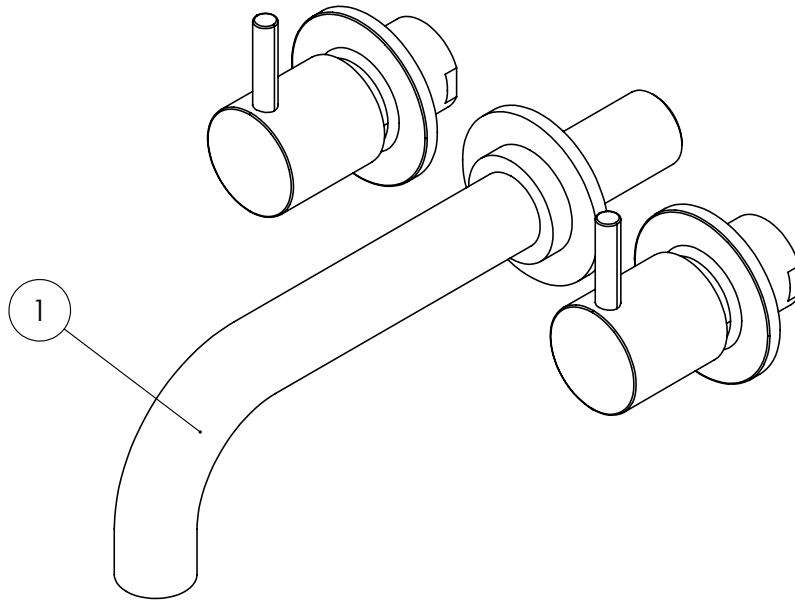
TECHNICAL DIMENSIONS

Dimensions in mm unless otherwise specified.

Tolerances (per material type) apply.



SPARES DIAGRAM



NUMBER	PART CODE	DESCRIPTION
1	PRO330SPOUTC	MPRO Bath Filler Spout - Chrome
	PRO330SPOUTF	MPRO Bath Filler Spout - Brushed Brass
	PRO330SPOUTM	MPRO Bath Filler Spout - Matt Black
	PRO330SPOUTV	MPRO Bath Filler Spout - Stainless Steel
	CGPRO130C	Cold Cartridge
	CGPRO130H	Hot Cartridge

Only the parts labelled are available as spares.

V10522