

**500 Two Drawer Basin Unit,
Ceramic / Cast Marble / Glass Basin / Worktop**

- DE0002SCW+ 11kg
GL0511SIW+ 7kg
- DE0002SRW+ 17.5kg
- GL5000T 11kg
- GL5000D+ 25.1kg

x2 850N (86kg) Load capacity per bracket on a solid wall. To DIN 68840 06/2004

Overflow fitting supplied with Cast Marble and Glass Basins only

**700 Two Drawer Basin Unit,
Ceramic / Cast Marble / Glass Basin / Worktop**

- DE0003SCW+ 14.2kg
GL0711SIW+ 10kg
- DE0003SRW+ 21kg
- GL7000T 16.2kg
- GL7000D+ 28.8kg

x2 850N (86kg) Load capacity per bracket on a solid wall. To DIN 68840 06/2004

Overflow fitting supplied with Cast Marble and Glass Basins only

**1000 Two Drawer Basin Unit,
Ceramic / Cast Marble / Glass Basin / Worktop**

- DE0004SCW+ 19kg
GL1011SIW 14.2kg
- DE0004SRW+ 28kg
- GL1000T 23kg
- GL1000D+ 36.6kg

x2 850N (86kg) Load capacity per bracket on a solid wall. To DIN 68840 06/2004

Overflow fitting supplied with Cast Marble and Glass Basins only

Tools & equipment needed: Drill, 8mm Suitable drill bit, Phillips screwdriver, Spirit level, Ruler/tape measure, Pencil, Solvent free silicone sealant (clear).



IMPORTANT - Advice and safety - Please read before installation

Please read these instructions carefully before starting installation and keep in a safe place for future reference. ENSURE the room is well heated and ventilated.

Check the contents of the pack carefully before installation. Crosswater will not be held responsible for any de-fit / re-fit costs where faulty product has been fitted.

If any fault is found with materials or workmanship, it must be reported immediately to the manufacturer. Remedial action will be taken, based on information received, on condition that: 1. Full details are supplied to the manufacturer. 2. The product has not been modified or tampered with; 3. The manufacturer is informed of any damage/shortages prior to installation. 4. The product has not been installed, or attempts have been made to install.

We do not accept responsibility for any problems that may occur through incorrect installation.

Advice & Safety

This product should only be installed by a suitably qualified Plumber/installer. Should the installation be completed by a non-qualified person any product guarantee maybe considered invalid. For a claim made under our warranty written certification of your installers qualifications can be required.

It is advised that all doors and drawers are removed prior to fitting to avoid unnecessary damage occurring.

It is recommended that the furniture and accessories are installed after tiling, ensuring that the product is installed flat to the tile face and allows product to be easily removed if required in the future.

This document has been prepared for your guidance, you must exercise due care at all times.

Please note that some units are heavy. Always take care when lifting, and follow health and safety guidelines. It is recommended that 2 people carry out the installation of larger basin/vanity units over 30Kgs gross weight.

Do not expose glass washbasins to wide and rapid changes in temperature. Do not expose glass washbasins to water with a temperature over 60°C.

Warning! Please check for any hidden pipes or electrical cables before drilling holes in the floor or walls.

When using power tools always follow the manufacturer's user instructions.

This installation guide details fitting to a solid wall. If your bathroom has studded/plasterboard walls, please use appropriate plasterboard fixings. Please ensure the wall can take weight of units detailed above. Before installing a wooden bathroom unit into a new property, extension or recently plastered room we strongly advise the building/room is completely dry, well ventilated and adequately heated.

Important pre-installation notes

To ensure full working use of the drawers we recommend the use of basin furniture trap BTR0410W.

Care & Cleaning

Glass and cast mineral marble products should be cleaned regularly with warm soapy water, then rinsed with clean water and, if desired, dried and polished with a soft cloth. Lime scale deposits can be removed using a 50:50 solution of warm water and lime scale remover and soft clean cloth. We recommend regular cleaning with Cream Polish SD150RW, specially formulated to clean and help protect the surface of glass and cast mineral marble basins.

Please also take care not to damage the lacquered surface on the underside of the glass washbasin that gives the washbasin its colour. Damage to the underside of the washbasin may be visible through the glass. Take care how you handle the washbasin prior to installation and place it on a soft surface to avoid damage.

Do not use abrasive cleaners or bleach in this will permanently damage the high gloss surface.

Use a well wrung chamois leather or micro fibre cloth to clean furniture carcasses.

If any maintenance is required then it must be carried out by a qualified Plumber.

The manufacturer reserves the right to make technical modifications without prior notice.

INSTALLATION INSTRUCTIONS

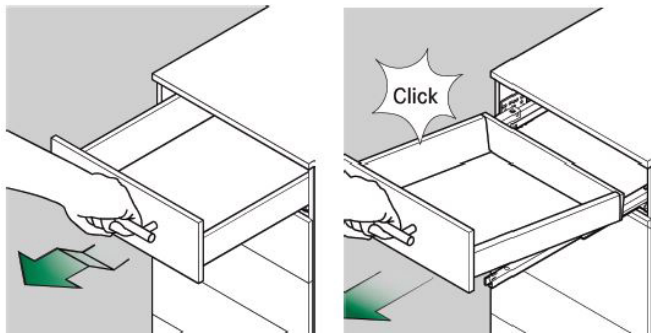
Basin & Basin Unit Installation

Step 1

Removing the drawer

Pull the drawer out, lift slightly approx. 10 cm before the limit stop.

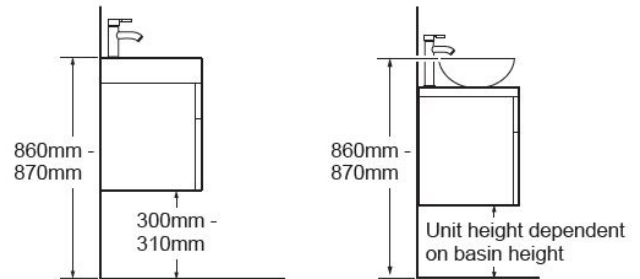
Pull firmly horizontally until the drawer audibly disengages, then lift off.



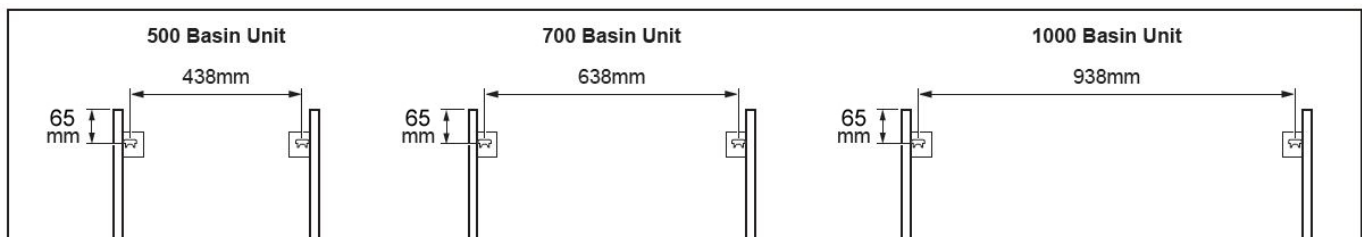
Step 2

Plan unit position

Decide on the position and height of the unit. The recommended basin height is between 860 and 870mm from floor to top of basin.



Step 3



'Wall bracket' installation

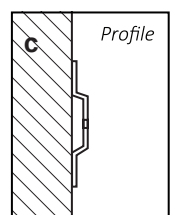
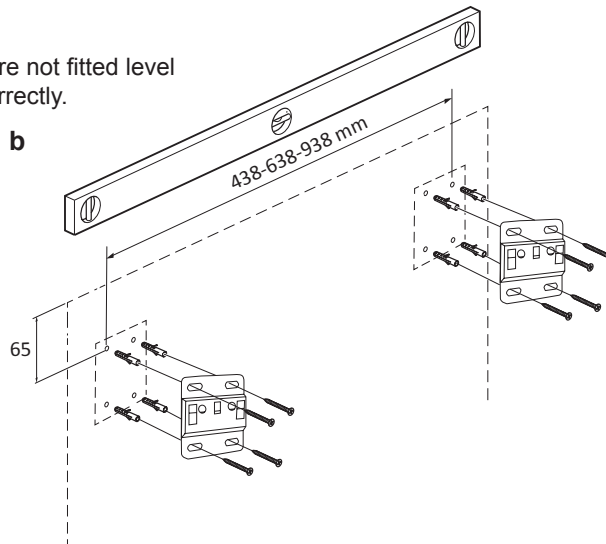
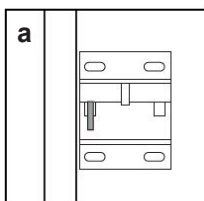
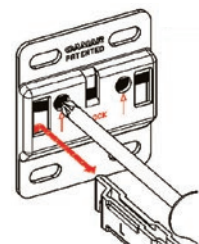
Use the measurements above, to position the 'wall brackets'.

a: Important: The measurements given above are the maximum the brackets can be spaced apart, the brackets must fit within that measurement.

b: Mark the bracket fixing holes onto the wall. Drill Ø 8mm holes, insert the wall plugs on solid walls and attach the brackets

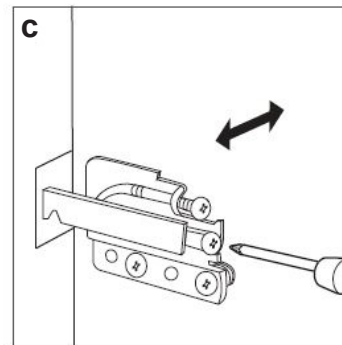
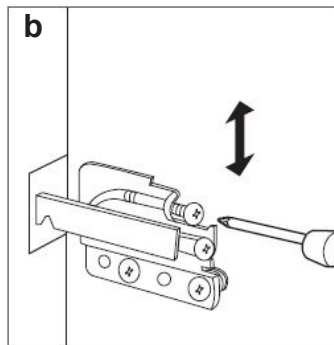
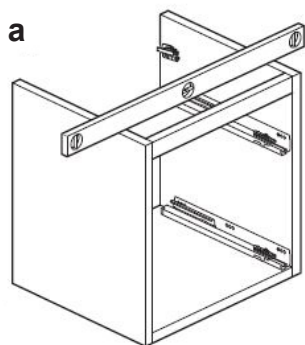
Important: If the basin unit and/or basin are not fitted level this may result in the basin not draining correctly. Position the unit on the brackets.

Removing bracket from the wall



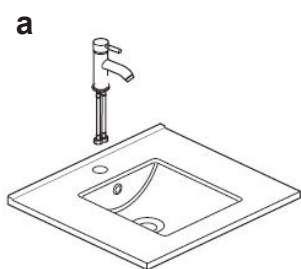
Step 4

- a:** Check the unit is level. If levelling is required, use a screwdriver to adjust the hanging position, as follows:
- b:** To lift or lower the unit, adjust the screw shown.
- c:** To move the unit closer or further from the wall, adjust the screw shown.

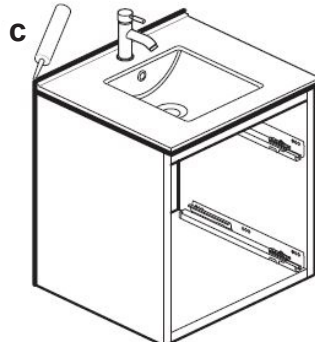
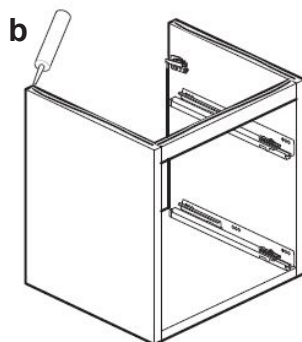


Step 5

Basin Installation



DE0002SCW+ Basin is shown as a typical example

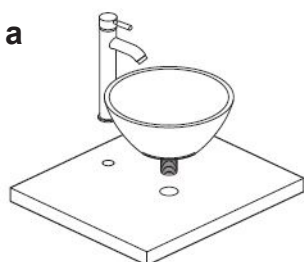


- a:** Attach the tap to the basin and carefully bed in the waste using solvent free silicone only.
- b:** Carefully apply silicone to the top edges of the unit.
- c:** Carefully position the basin down onto the unit, ensure it is centrally positioned and flush at the back. Connect the tap and waste. Apply a bead of silicone to the join between the basin/unit and wall, on all 4 sides. Apply silicon where the basin overhangs the carcass. Leave silicone, 24 hours to dry.

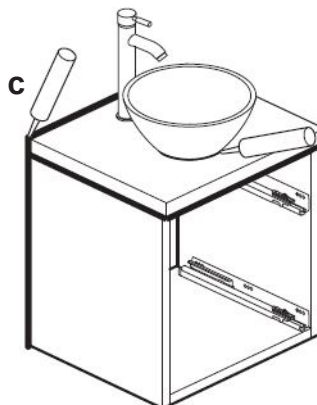
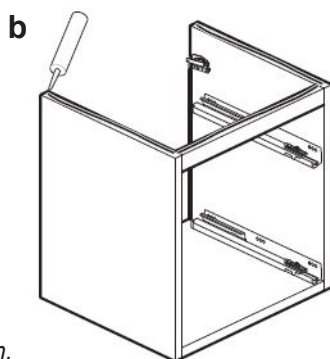
Basin waste and tap fittings when over tightened can create stress within the basin material which may in time cause the failure of the product. Waste fittings should be carefully bedded in silicone and the back nut hand tightened an addi-

tional quarter turn using a suitable spanner is sufficient to create the required watertight seal. Care should also be taken when fitting brassware to tap platforms in order to prevent similar stress related failures.

Worktop / Basin Installation



Important: All cut edges MUST be sealed with water proof sealant or exterior wood varnish.



- a:** Prepare worktop for tap/s and basin. Cut holes where required using a suitable sized hole cutter.
- b:** Carefully apply silicone to the top edges of the unit.
- c:** Carefully position the worktop down onto the unit, ensure it is centrally positioned and flush at the back. Connect the tap and waste. Apply silicone to the join between the worktop and wall, down sides of the unit and around the base of the basin. Apply silicon where the basin overhangs the carcass. Leave silicone, 24 hours to dry.

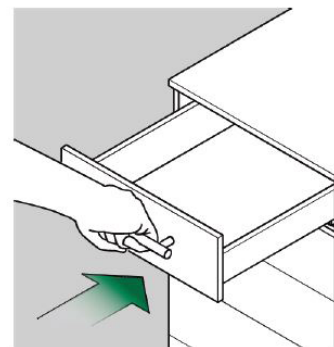
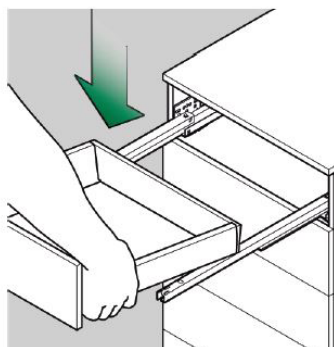
Step 6

Inserting the drawer:

Place the drawer on the extended slides.

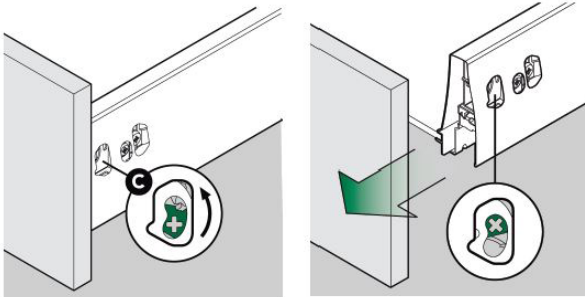
Slightly lift the drawer at the front and then push fully closed. Drawer engages automatically!

Test to make sure the drawer operates correctly. The hook situated on the back of the runner has to be fixed in the metal side of the drawer.



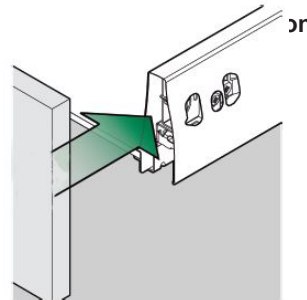
RUNNER FITTINGS

Step 1



Insert the screwdriver in the left screw and slide it to the left. The drawer front is now released and can be removed.

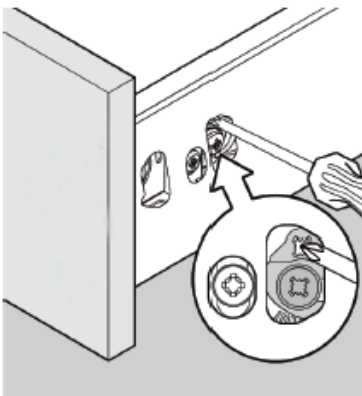
Step 2



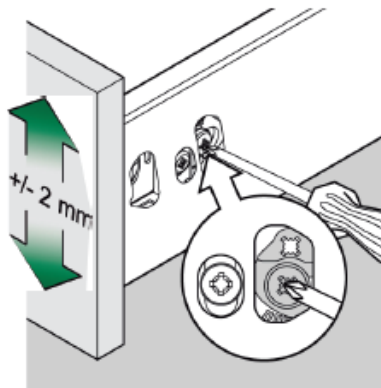
Insert the drawer front into the drawer sides. The panel engages automatically and is fixed.

Step 3

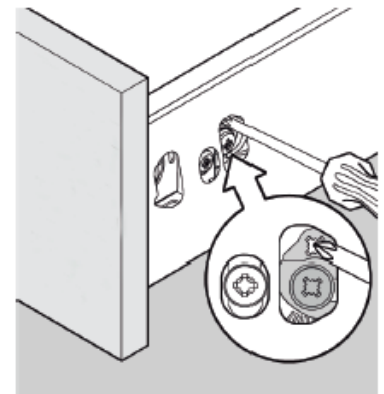
Eccentric height adjustment on both sides



Release locking screws on both sides.



Adjust drawer front by means of eccentric screws.

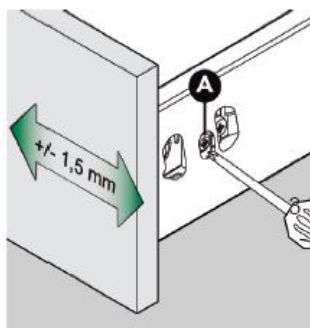


Tighten locking screws.

Step 4

Side adjustment, right

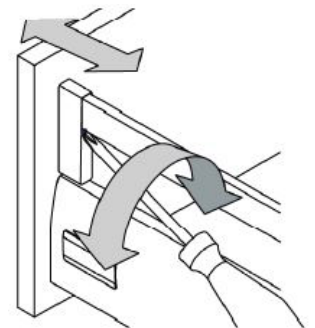
Turn adjustment. Only the right hand side has to be operated due to the integrated lateral adjustment.



Step 5

Front tilt angle adjustment

With rectangular railings, tilt angle adjustment of the front is via the front panel holder.



Assembly and disassembly of cam bolt construction drawers.

- a. Insert the screwdriver in the cam bolt and slide it to the left.
- b. The front panel is now released and can be removed.
- c. Insert the front panel into the drawer sides and repeat the operation, insert the screwdriver in the cam bolt and slide it to the right.
- d. The drawer in installation.

