

PRODUCT DATA SHEET



PRODUCT CODE

AVA0801SCW

RANGE

Avenue

DESCRIPTION

Avenue Basin 1TH Tall Ceramic Basin
800mm White

WEBSITE LINK [Click Here](#)

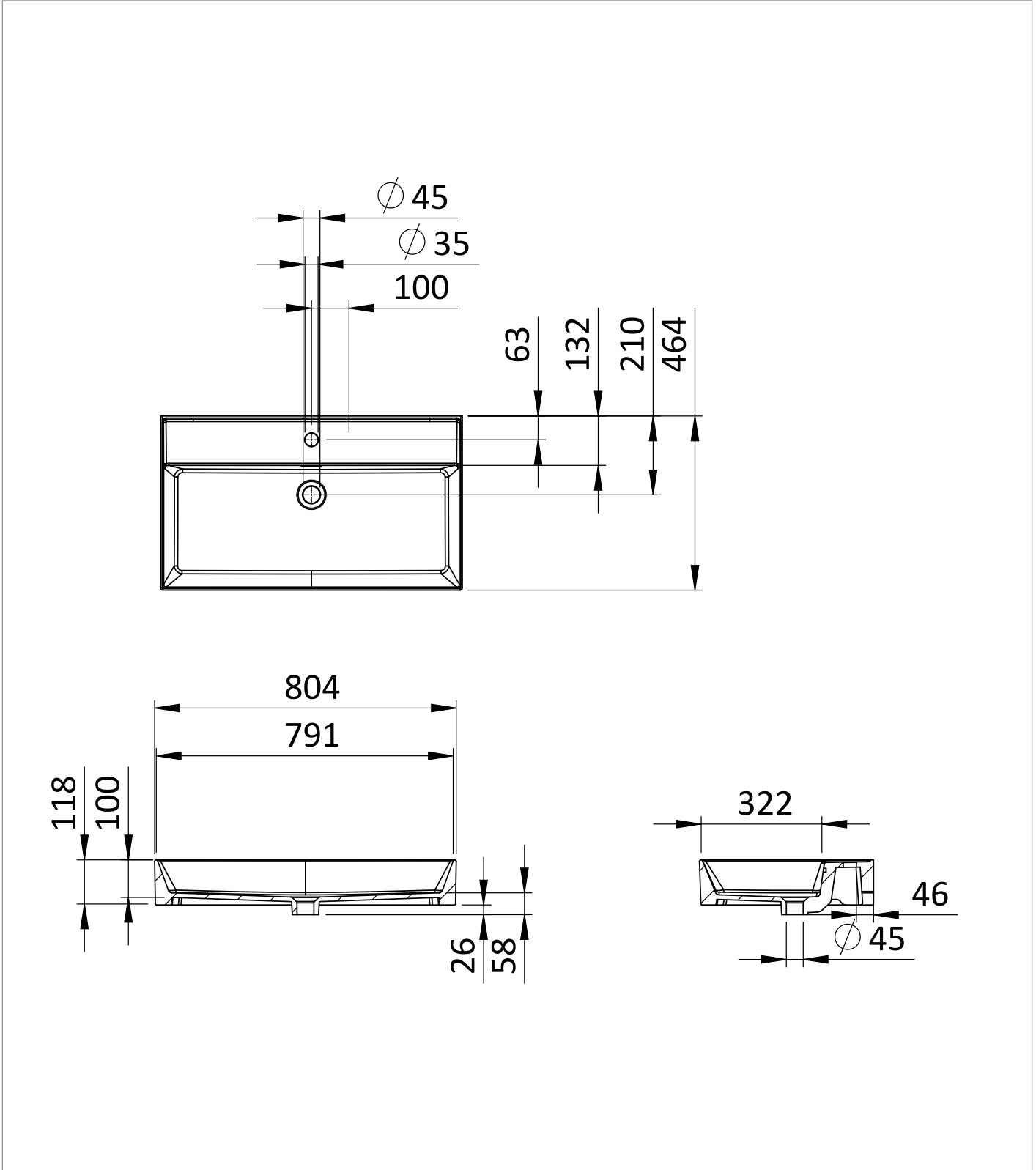
| | |
|-----------------------|-------------------|
| CATEGORY | Furniture |
| WARRANTY DETAILS | Lifetime |
| COLOUR | White |
| FINISH APPLICATION | Glazed |
| PRIMARY MATERIAL | Fine Fire Clay |
| INSTALL TYPE | Furniture Mounted |
| PRODUCT WIDTH MM | 804 |
| PRODUCT HEIGHT MM | 118 |
| PRODUCT DEPTH MM | 464 |
| PRODUCT NET WEIGHT KG | 21.77 |
| STANDARDS | En 14688 |

| | |
|--|-------|
| TAP HOLES | 1TH |
| FIXINGS INCLUDED | Yes |
| OVERFLOW | Yes |
| BASIN WASTE SIZE | 46 |
| CAPACITY 1L - WATER AT OVERFLOW LEVEL BASIN | CL 25 |

TECHNICAL DIMENSIONS

Dimensions in mm unless otherwise specified.

Tolerances (per material type) apply.



SPARES LIST

Only the parts labelled are available as spares.

SPARES AVAILABLE UPON REQUEST