

PRODUCT DATA SHEET



PRODUCT CODE

FS1000RC

RANGE

Fuse

DESCRIPTION

Fuse 1 Outlet 2 Handle Valve & Trimset
Chrome

| | |
|----------------------------|---------------|
| CATEGORY | Brassware |
| WARRANTY DETAILS | 15 Years |
| COLOUR | Chrome |
| FINISH APPLICATION | Electroplated |
| PRIMARY MATERIAL | Brass |
| SECONDARY MATERIAL | Plastic |
| INSTALL TYPE | Wall Mounted |
| PRODUCT WIDTH MM | 120 |
| PRODUCT HEIGHT MM | 215 |
| PRODUCT NET WEIGHT KG | 1.6 |
| MINIMUM PRESSURE (BAR) | 1 |
| MAX WORKING PRESSURE (BAR) | 5 |

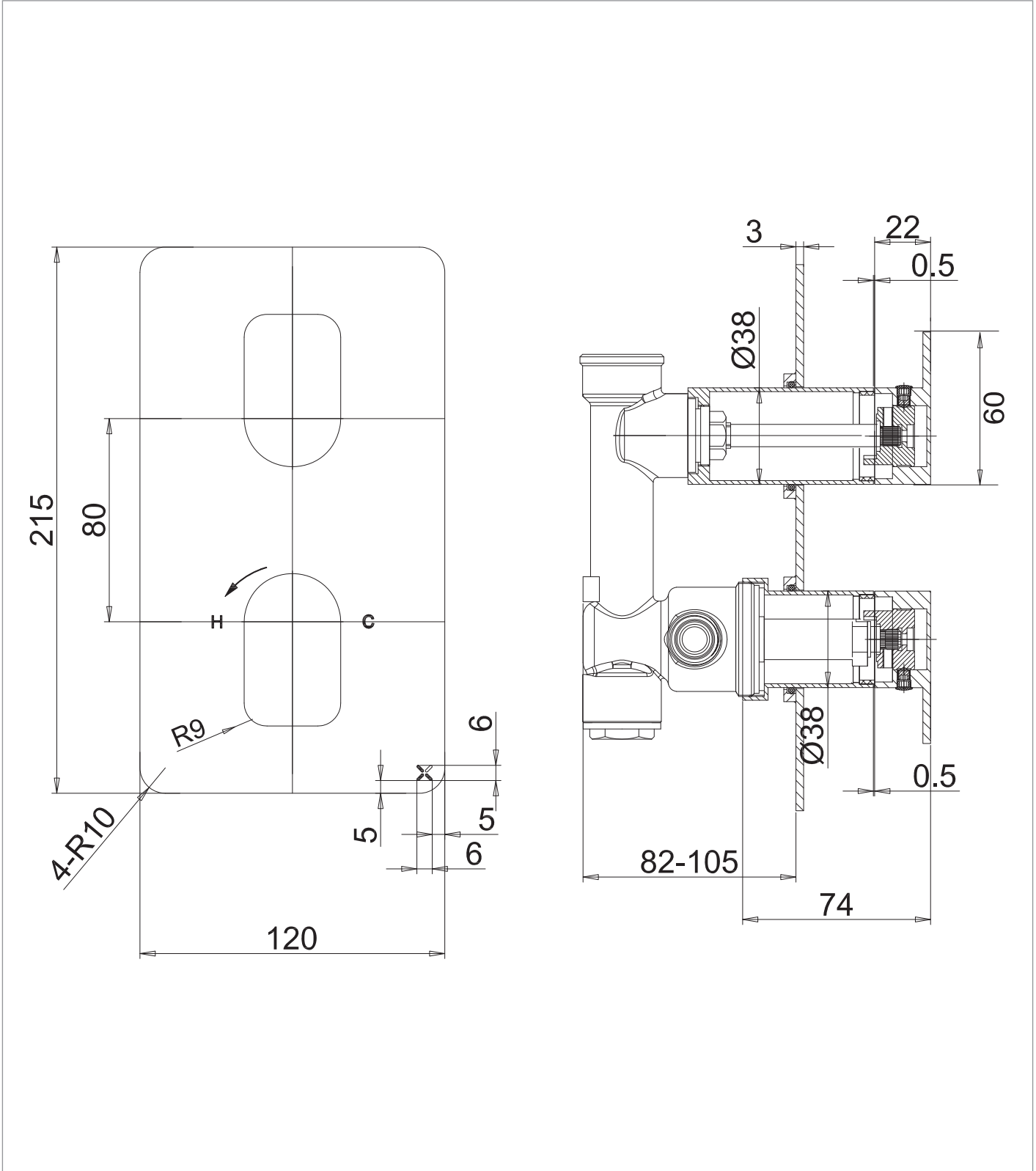
| | |
|------------------------------------|---|
| STANDARDS | BS EN 1111:2017 |
| NUMBER OF OUTLETS | 1 |
| NUMBER OF FUNCTIONS | 1 |
| HEADWORK | Thermostatic cartridge, 3/4" Quarter turn ceramic cartridge |
| SWIVEL SPOUT | No |
| INLET CONNECTIONS THREAD | G3/4" |
| OUTLET CONNECTIONS THREAD | G3/4" |
| WASTE INCLUDED | No |
| ANTI-SCALD | No |
| ENERGY SAVING | No |
| SHOWER HOSE & HANDSET ARE INCLUDED | No |

| PRESSURE (BAR) | 0.2 | 0.5 | 1 | 2 | 3 | 4 | 5 |
|---------------------|-----|------|------|----|----|---|----|
| PRIMARY FLOWRATE | | 12.4 | 16.3 | 23 | 27 | | 35 |
| HANDSET FLOWRATE | | | | | | | |
| MASSAGE FLOW RATE | | | | | | | |
| AIR FLOW RATE | | | | | | | |
| WIRE FLOW RATE | | | | | | | |
| WATERFALL FLOW RATE | | | | | | | |
| MIST FLOW RATE | | | | | | | |
| HANDSPRAY FLOW RATE | | | | | | | |

TECHNICAL DIMENSIONS

Dimensions in mm unless otherwise specified.

Tolerances (per material type) apply.



SPARES LIST

Only the parts labelled are available as spares.

SPARES AVAILABLE UPON REQUEST