

PRODUCT DATA SHEET



PRODUCT CODE

PRO1701LBPT

RANGE

MPRO

DESCRIPTION

MPRO 2 Handle Trimset Integrated Handset Slate

WEBSITE LINK [Click Here](#)

CATEGORY	Brassware
WARRANTY DETAILS	15 Years
COLOUR	Slate
FINISH APPLICATION	PVD
PRIMARY MATERIAL	Brass
INSTALL TYPE	Wall Mounted
PRODUCT WIDTH MM	262
PRODUCT HEIGHT MM	67
PRODUCT LENGTH MM	81
PRODUCT NET WEIGHT KG	2.3
STANDARDS	BS EN 1112:2008

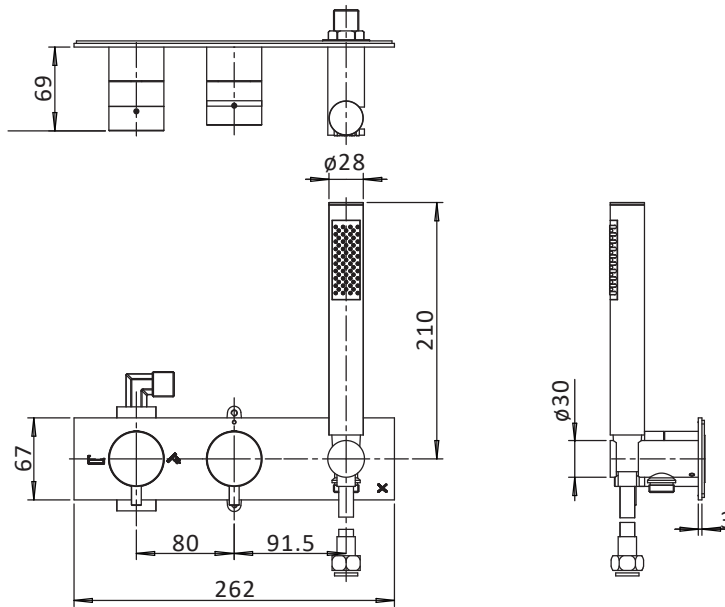
MINIMUM PRESSURE (BAR)	0.5
MAX WORKING PRESSURE (BAR)	4
NUMBER OF OUTLETS	2
NUMBER OF FUNCTIONS	2
WASTE INCLUDED	No
ANTI-SCALD	No
ENERGY SAVING	No
SHOWER HOSE & HANDSET ARE INCLUDED	Yes

PRESSURE (BAR)	0.2	0.5	1	2	3	4	5
PRIMARY FLOWRATE	3.03	5.47	8.75	12.69	16.54	23.69	
HANDSET FLOWRATE							
MASSAGE FLOW RATE							
AIR FLOW RATE							
WIRE FLOW RATE							
WATERFALL FLOW RATE							
MIST FLOW RATE							
HANDSPRAY FLOW RATE							

TECHNICAL DIMENSIONS

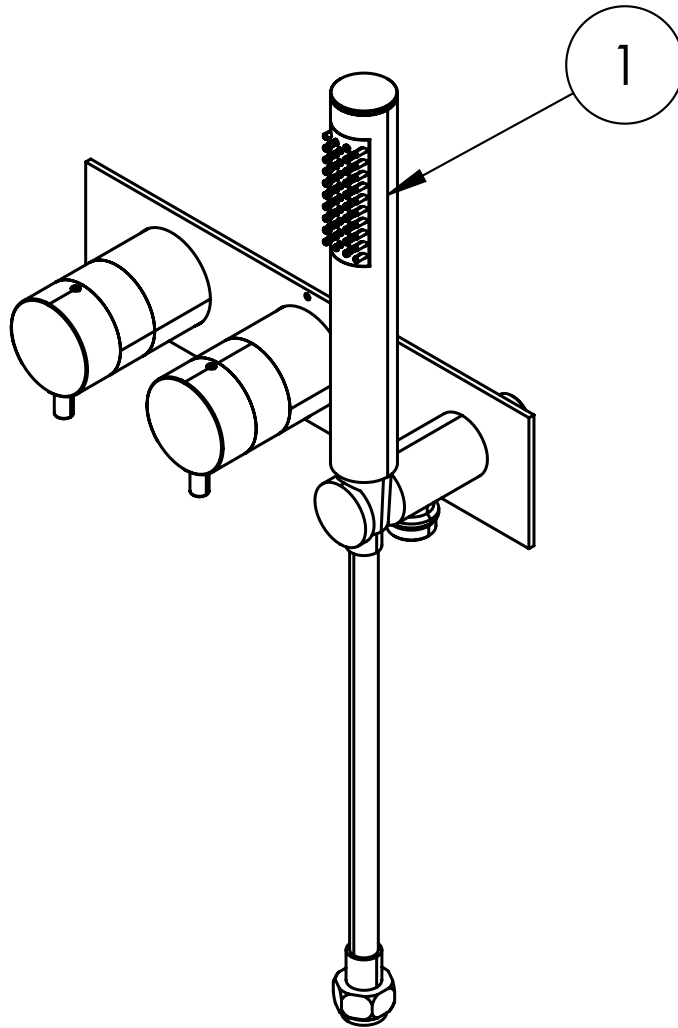
Dimensions in mm unless otherwise specified.

Tolerances (per material type) apply.



SPARES LIST

Only the parts labelled are available as spares.



NUMBER	PART CODE	DESCRIPTION
1	PROHANDSET1T	PRO416 Handset Slate
	PROHANDSET1BZ	PRO416 Handset Brushed Bronze