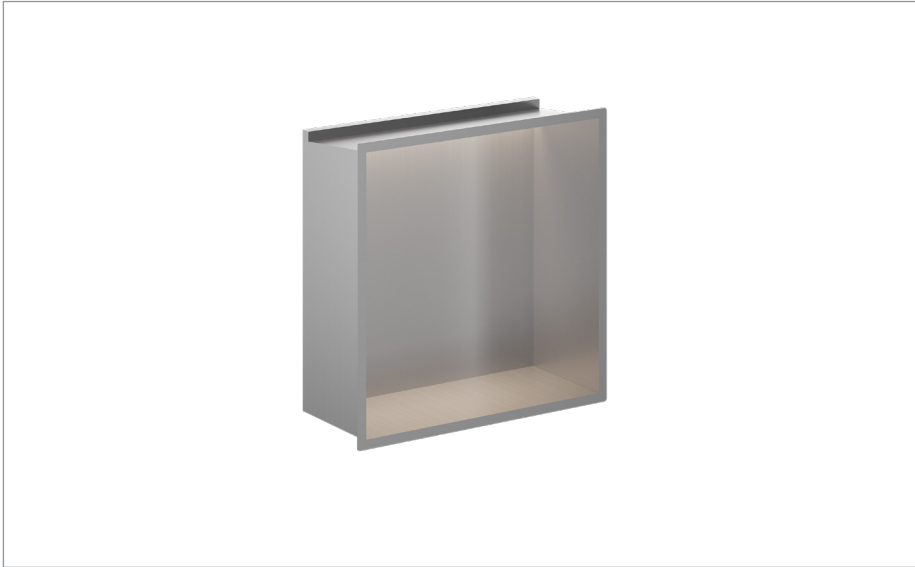


PRODUCT DATA SHEET



PRODUCT CODE

NI305305LV

RANGE

Niche

DESCRIPTION

Niches 305 x 305mm with LED Light Strip Brushed Stainless

WEBSITE LINK [Click Here](#)

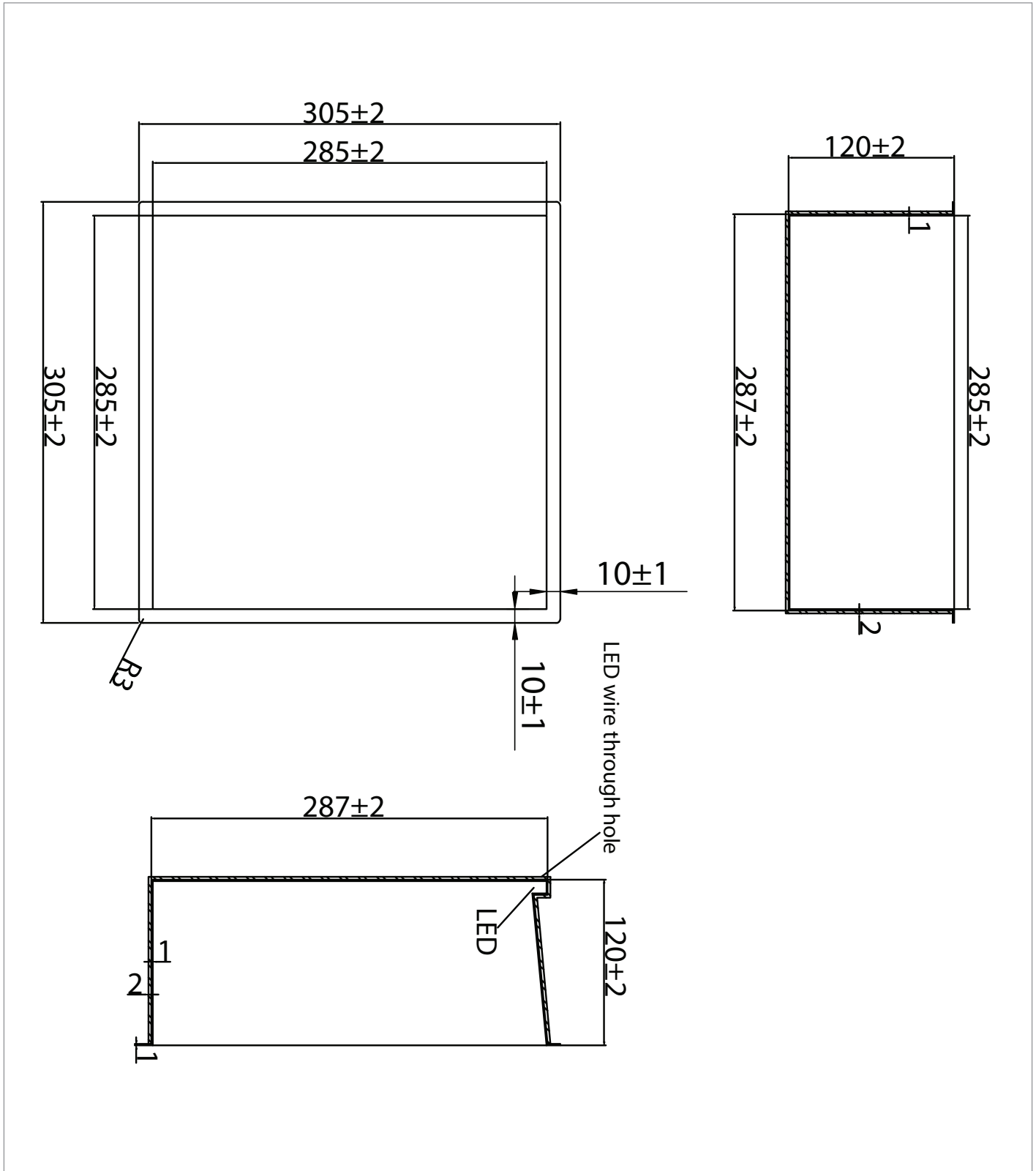
CATEGORY	Accessories
WARRANTY DETAILS	15 Years
COLOUR	Stainless Steel Effect
FINISH APPLICATION	PVD
PRIMARY MATERIAL	304 Stainless Steel
INSTALL TYPE	Wall Mounted
PRODUCT WIDTH MM	305
PRODUCT HEIGHT MM	305
PRODUCT DEPTH MM	120
PRODUCT NET WEIGHT KG	2

IP RATING	IPx4 complied & IP66
CABLE LENGTH (MM)	1000
COLOUR RANGE (K)	3000
ENERGY RATING	F
SWITCH TYPE	Mains Wired
DIMMABLE	No
LIGHT TYPE	LED
LED WATTAGE	6.8
DRIVER WATTAGE	20

TECHNICAL DIMENSIONS

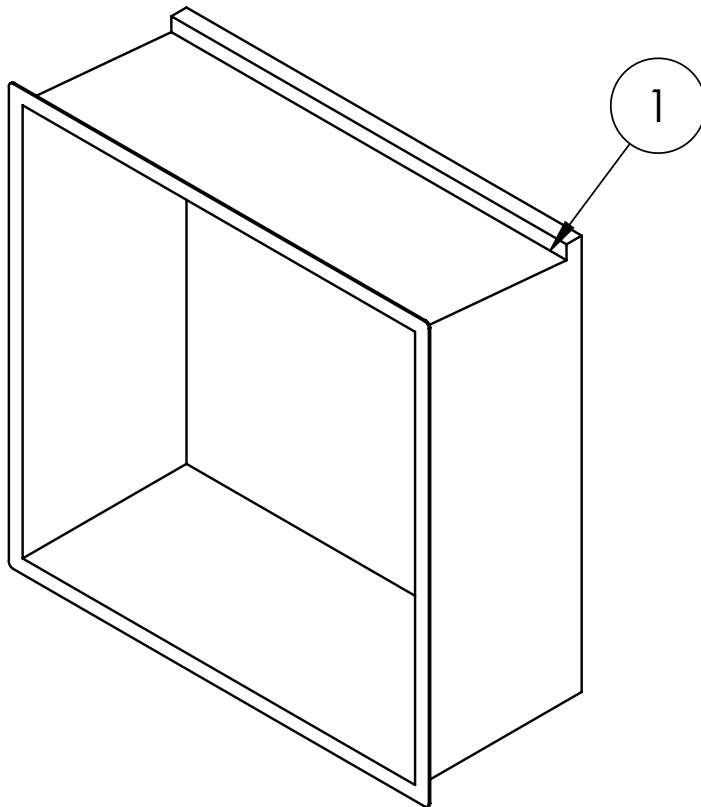
Dimensions in mm unless otherwise specified.

Tolerances (per material type) apply.



SPARES LIST

Only the parts labelled are available as spares.



NUMBER	PART CODE	DESCRIPTION
1	NI00305	LED Light strip with tube 305mm