

PRODUCT DATA SHEET



PRODUCT CODE

TL116DNS

RANGE

3ONE6 Lever

DESCRIPTION

3ONE6 Lever Basin Side Deck Mixer 2 Handle Stainless Steel

WEBSITE LINK [Click Here](#)

CATEGORY	Brassware
WARRANTY DETAILS	15 Years
COLOUR	Stainless Steel
FINISH APPLICATION	Raw/Natural
PRIMARY MATERIAL	316 Stainless Steel
INSTALL TYPE	Deck Mounted
PRODUCT WIDTH MM	114
PRODUCT HEIGHT MM	185
PRODUCT NET WEIGHT KG	1.05
STANDARDS	BS EN 817:2008

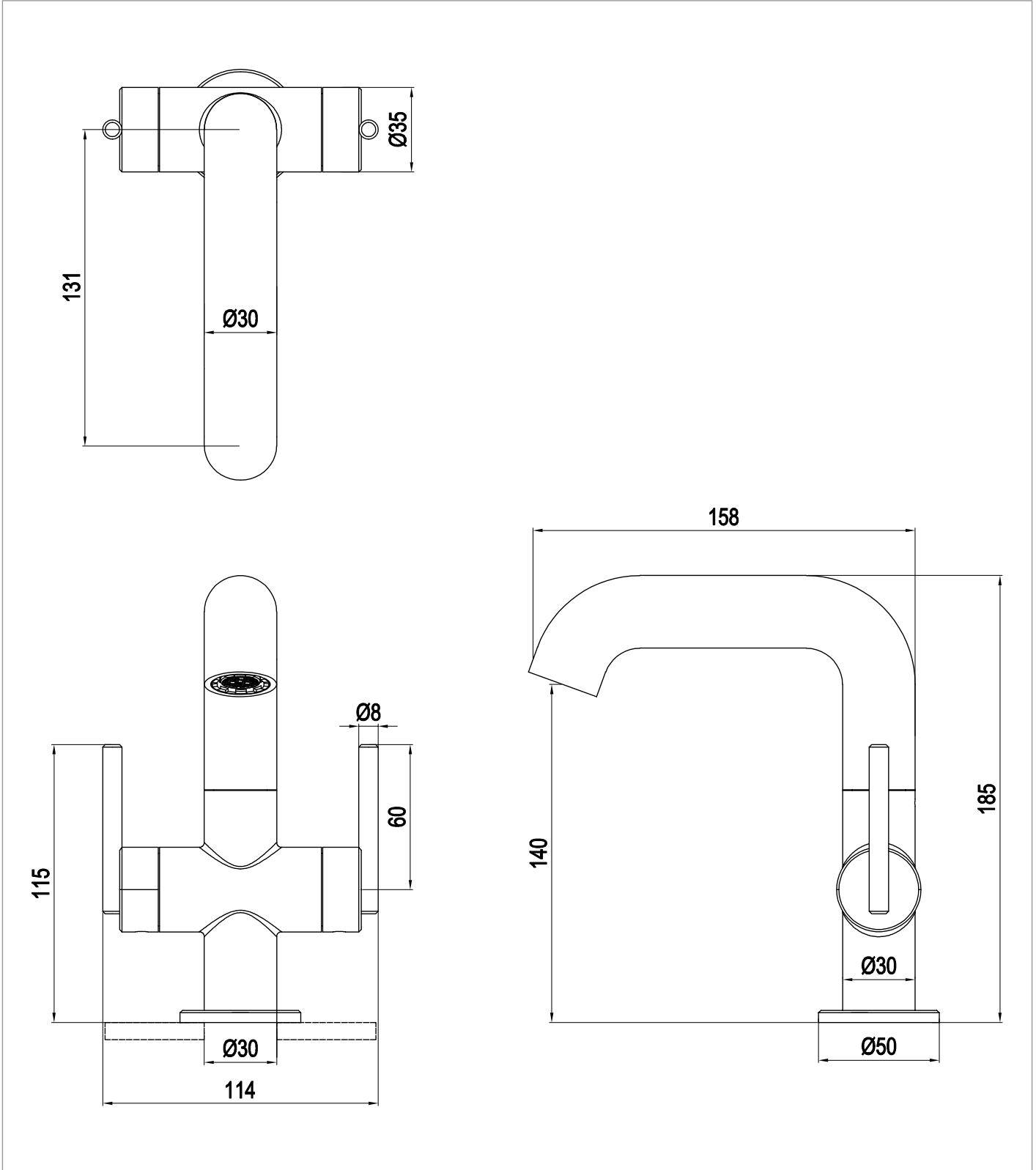
MINIMUM PRESSURE (BAR)	1
MAX WORKING PRESSURE (BAR)	5
NUMBER OF OUTLETS	1
NUMBER OF FUNCTIONS	1
HEADWORK	M16X1
SPOUT PROJECTION	131
SWIVEL SPOUT	Yes
INLET CONNECTIONS THREAD	G1/2"
OUTLET CONNECTIONS THREAD	M16.5x1
FLOW REGULATOR	Cache M16.5x1
WASTE INCLUDED	No
ANTI-SCALD	No
ENERGY SAVING	No
SHOWER HOSE & HANDSET ARE INCLUDED	No

PRESSURE (BAR)	0.2	0.5	1	2	3	4	5
PRIMARY FLOWRATE			4.46	4.8	5.3	4.87	4.96
HANDSET FLOWRATE							
MESSAGE FLOW RATE							
AIR FLOW RATE							
WIRE FLOW RATE							
WATERFALL FLOW RATE							
MIST FLOW RATE							
HANDSPRAY FLOW RATE							

TECHNICAL DIMENSIONS

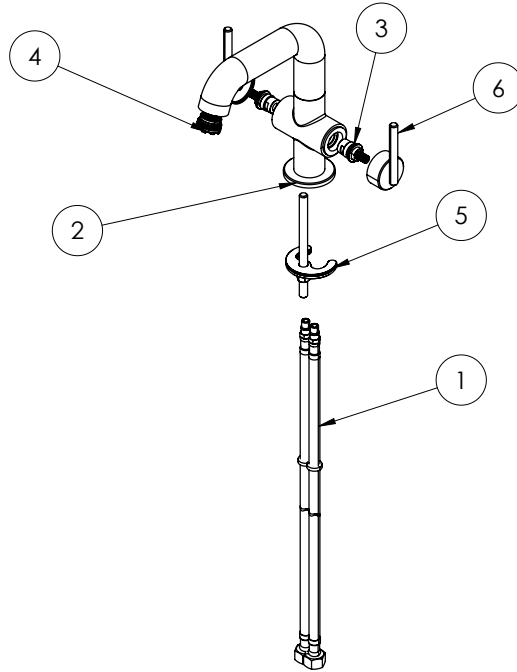
Dimensions in mm unless otherwise specified.

Tolerances (per material type) apply.



SPARES LIST

Only the parts labelled are available as spares.



NUMBER	PART CODE	DESCRIPTION
1	B19002200-YY	TS110/ TL111/TL113/TL116 FLEXIBLE(G1/2xM8x1-45CM)
2	A065150402	TL111DNST/TL113DNST/TL116DNST Base ring
	A065150400	TL111DNS/TL113DNS/TL116DNS Base ring
	A065150401	TL111DNSF/TL113DNSF/TL116DNSF Base ring
3	B06006300	TL116 Cartridge
4	B04004900	TL111/TL113/TL116 Aerator
5	B14001600	TL111/TL113/TS116 Clamping Set
6	A065150302	TL116DNST/TL130WNST/TL135DNST Lever
	A065150301	TL116DNSF/TL130WNSF/TL135DNSF Lever
	A065150300	TL116DNS/TL130WNS/TL135DNS Lever