

Measurements in millimetres mm

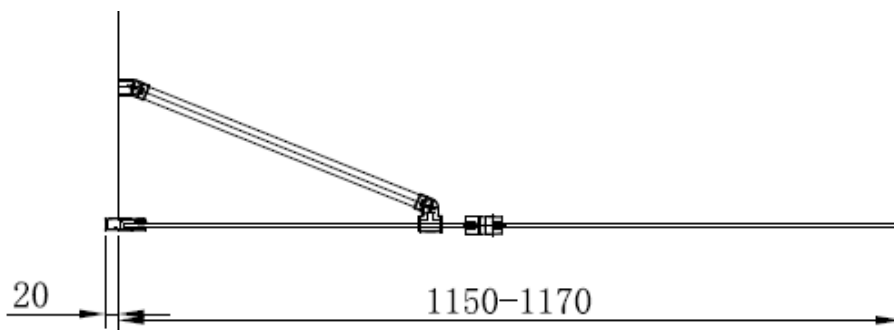
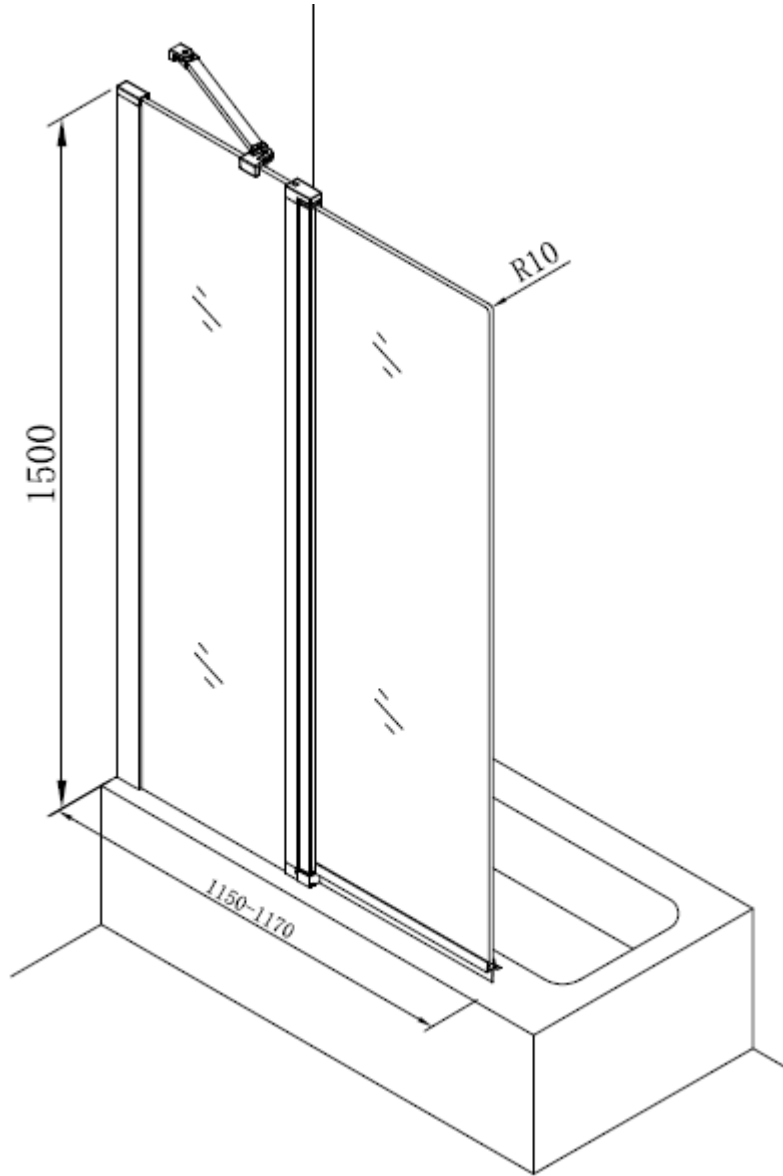
Information updated January 2020

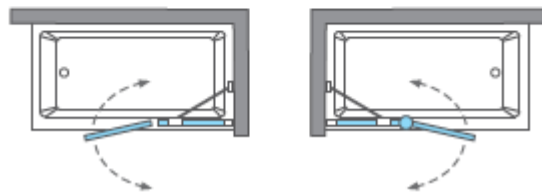
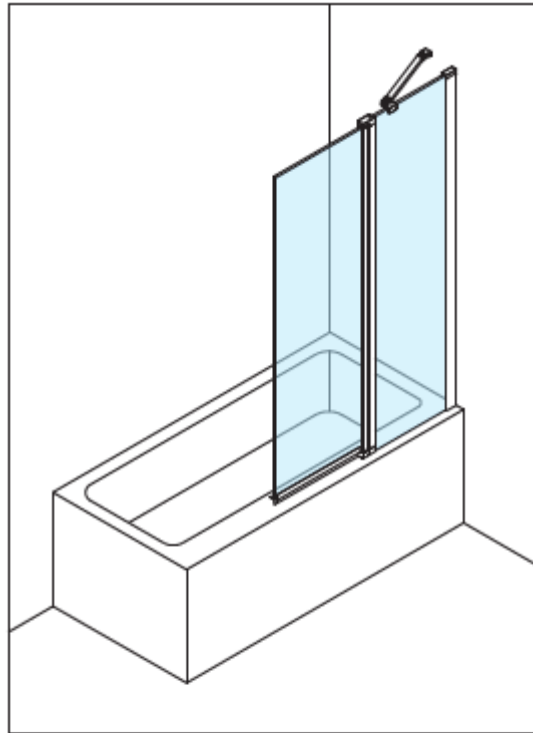
Tel 0345 873 8840



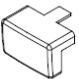

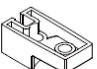
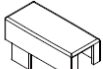
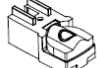
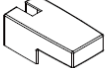


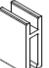

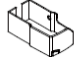





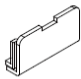
crosswater[™]

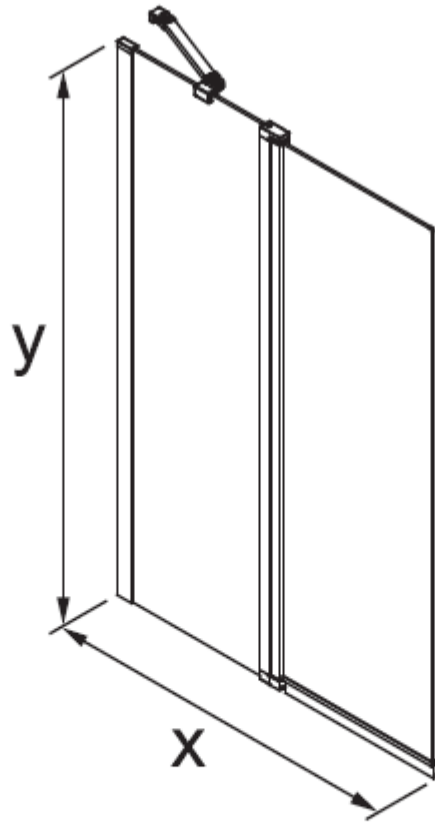
CLEAR 6 BATH SCREEN

CABDSC1150





| | | |
|--|--|---|
| <p>A</p>  <p>ST4 *40mm Screw x 3</p> | <p>H</p>  <p>Seal x 1</p> | <p>O</p>  <p>Cover x 1</p> |
| <p>B</p>  <p>Wall Plug x 4</p> | <p>I</p>  <p>Top Pivot x 1</p> | <p>P</p>  <p>Cover x 1</p> |
| <p>C</p>  <p>Bottom Pivot x 1</p> | <p>J</p>  <p>Top Pivot Cover x 1</p> | <p>Q</p>  <p>Waterproof Strip x 1</p> |
| <p>D</p>  <p>ST3.5*25mm Screw x 2</p> | <p>K</p>  <p>Install Block x 1</p> | <p>R</p>  <p>Cover x 1</p> |
| <p>E</p>  <p>Bottom Pivot Cover (LH) x 1</p> | <p>L</p>  <p>Support Bar x 1</p> | <p>S</p>  <p>2.5mm Allen Key x 1</p> |
| <p>F</p>  <p>Bottom Pivot Cover (RH) x 1</p> | <p>N</p>  <p>ST4 *40mm Screw x 1</p> | |
| <p>G</p>  <p>Sealing Strip x 1</p> | <p>M</p>  <p>Cover x 1</p> | |



| Model | x (mm) | y (mm) |
|------------|-----------|--------|
| CABDSC1150 | 1150~1170 | 1500 |