

Measurements in millimetres mm

Information updated July 2020

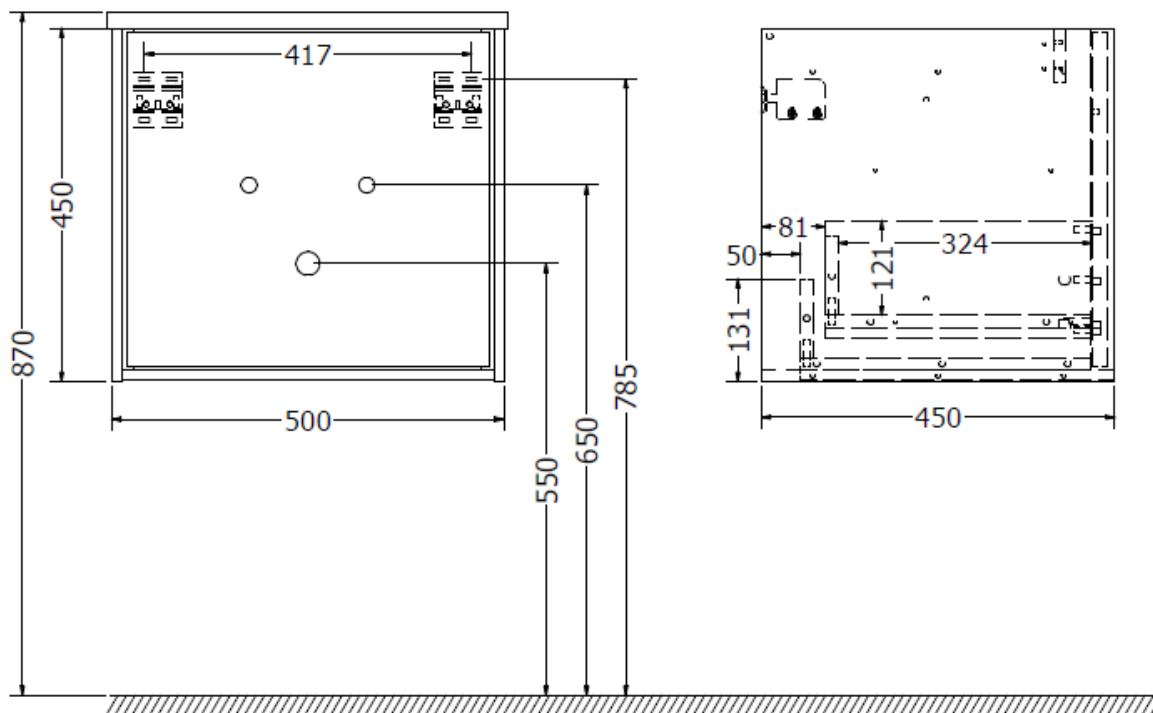
Tel 0345 873 8840



INFINITY 500mm FURNITURE



TECHNICAL DATA		SPECIFICATION	
CODE No UNIT	IF5000Dxx	Installation Information: The intended installation wall needs to be strong enough for the weight of the furniture and basin. Wall fixings for solid walls included.	
Required top	Worktop see prevailing Crosswater catalogue	Laminate finishes/lacquer tested to ISO 22196 Measurement of antibacterial activity Graded Strong value of anit-bacterial effect A>3	
Recommended use:	Domestic, residential	Furniture Colours:	
Dimension Unit	w 500 x d 450 x h 450mm	Black Matt	IF5000DBM EN622 type 5
Installation:	Wall Hung	Storm Grey Matt	IF5000DSG EN622 type 5
Materials:	Carcass and drawer front 18mm MDF Drawer set 18mm MDF	White Gloss	IF5000DWG EN622 type 5
Specification:	Full extension soft close drawers - 30kg weight capacity Anti-tip wall hangers 170Kg capacity	Windsor Oak	IF5000DWO EN622 type 5
Weight:	21kg	Handle Colour options:	
Fitting:	Wall hangers integrated into carcass Wall brackets supplied	IF_HANDLEC	Chrome
Required Fitting:	Compatible to basin requirement	IF_HANDLEBM	Matt Black
Advised Fitting:	Space saving 50mm seal trap BTR0510W	IF_HANDLEF	Brushed Brass effect
Option Accessories:	Handles - see right. Interior drawer and LED light bar	IF_HANDLEV	Stainless Steel Effect
Warranty	10 years on furniture		



Measurements in millimetres mm

Information updated July 2020

Tel 0345 873 8840



INFINITY 500mm FURNITURE



TECHNICAL DATA

CODE No UNIT	IF5000Dxx
Required top	Worktop see prevailing Crosswater catalogue
Recommended use: Domestic, residential	
Dimension Unit	w 500 x d 450 x h 450mm
Installation:	Wall Hung
Materials:	Carcass and drawer front 18mm MDF Drawer set 18mm MDF
Specification:	Full extension soft close drawers - 30kg weight capacity Anti-tip wall hangers 170Kg capacity
Weight:	21kg
Fitting:	Wall hangers integrated into carcass Wall brackets supplied
Required Fitting:	Compatible to basin requirement
Advised Fitting:	Space saving 50mm seal trap BTR0510W
Option Accessories:	Handles - see right. Interior drawer and LED light bar
Warranty	10 years on furniture

SPECIFICATION

Installation Information: The intended installation wall needs to be strong enough for the weight of the furniture and basin. Wall fixings for solid walls included.
Laminate finishes/lacquer tested to ISO 22196
Measurement of antibacterial activity Graded Strong
value of anit-bacterial effect A>3

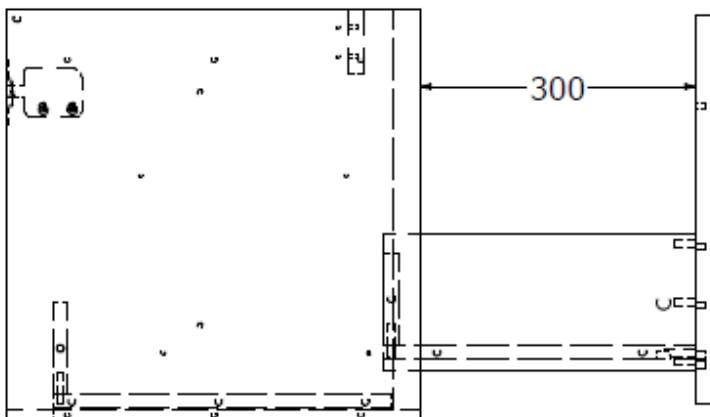
Furniture Colours:

Black Matt	IF5000DBM	EN622 type 5
Storm Grey Matt	IF5000DSG	EN622 type 5
White Gloss	IF5000DWG	EN622 type 5
Windsor Oak	IF5000DWO	EN622 type 5

Handle Colour options:

IF_HANDLEC	Chrome
IF_HANDLEBM	Matt Black
IF_HANDLEF	Brushed Brass effect
IF_HANDLEV	Stainless Steel Effect

Side View—drawer extension



Plan View

