

# PRODUCT DATA SHEET



## PRODUCT CODE

SB035BC

## RANGE

Accessory

## DESCRIPTION

Shower Basket Wall Mounted Black  
Insert Chrome

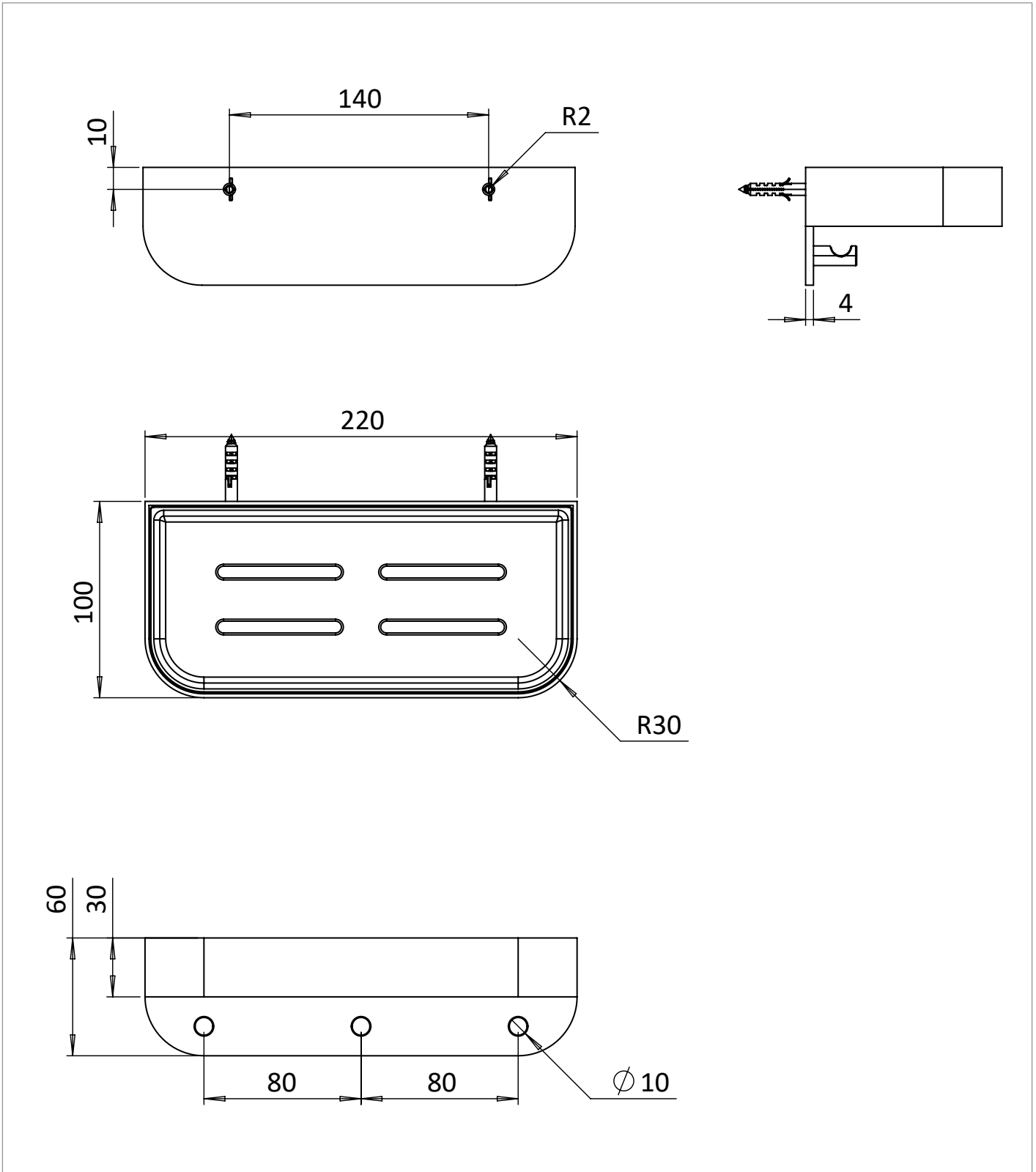
WEBSITE LINK [Click Here](#)

CATEGORY	Accessories
WARRANTY DETAILS	15 Years
COLOUR	Chrome
FINISH APPLICATION	Electroplated
PRIMARY MATERIAL	304 Stainless Steel
SECONDARY MATERIAL	ABS
INSTALL TYPE	Wall Mounted
PRODUCT WIDTH MM	220
PRODUCT HEIGHT MM	60
PRODUCT DEPTH MM	100
PRODUCT NET WEIGHT KG	0.8

## TECHNICAL DIMENSIONS

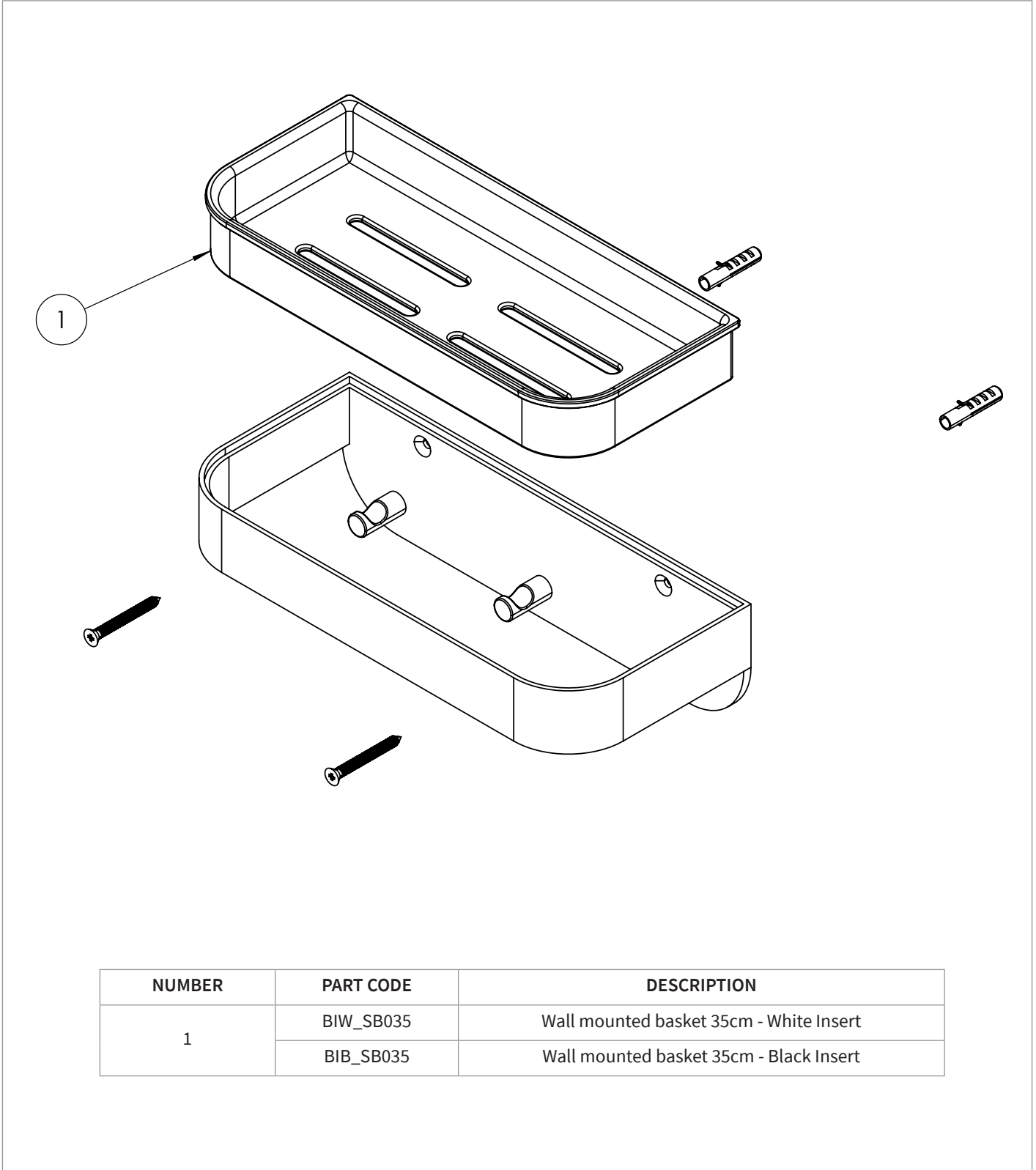
Dimensions in mm unless otherwise specified.

Tolerances (per material type) apply.



## SPARES LIST

Only the parts labelled are available as spares.



NUMBER	PART CODE	DESCRIPTION
1	BIW_SB035	Wall mounted basket 35cm - White Insert
	BIB_SB035	Wall mounted basket 35cm - Black Insert