

# PRODUCT DATA SHEET



## PRODUCT CODE

RT013F

## RANGE

Rotar

## DESCRIPTION

Rotar Towel Ring Brushed Brass

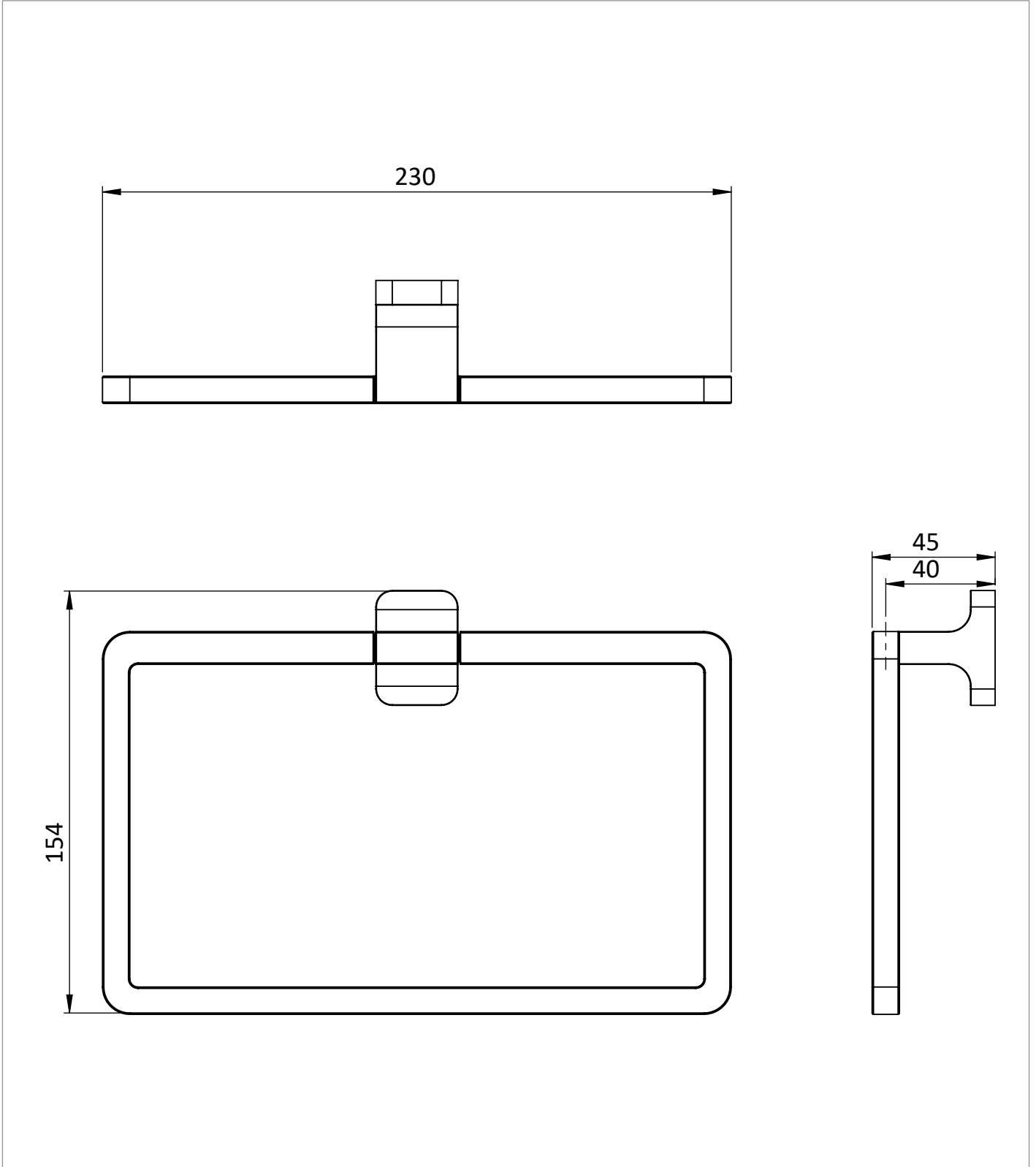
WEBSITE LINK [Click Here](#)

CATEGORY	Accessories
WARRANTY DETAILS	15 Years
COLOUR	Brushed Brass
FINISH APPLICATION	PVD
PRIMARY MATERIAL	Zamac
INSTALL TYPE	Wall Mounted
PRODUCT WIDTH MM	230
PRODUCT HEIGHT MM	154
PRODUCT DEPTH MM	45
PRODUCT NET WEIGHT KG	0.85

## TECHNICAL DIMENSIONS

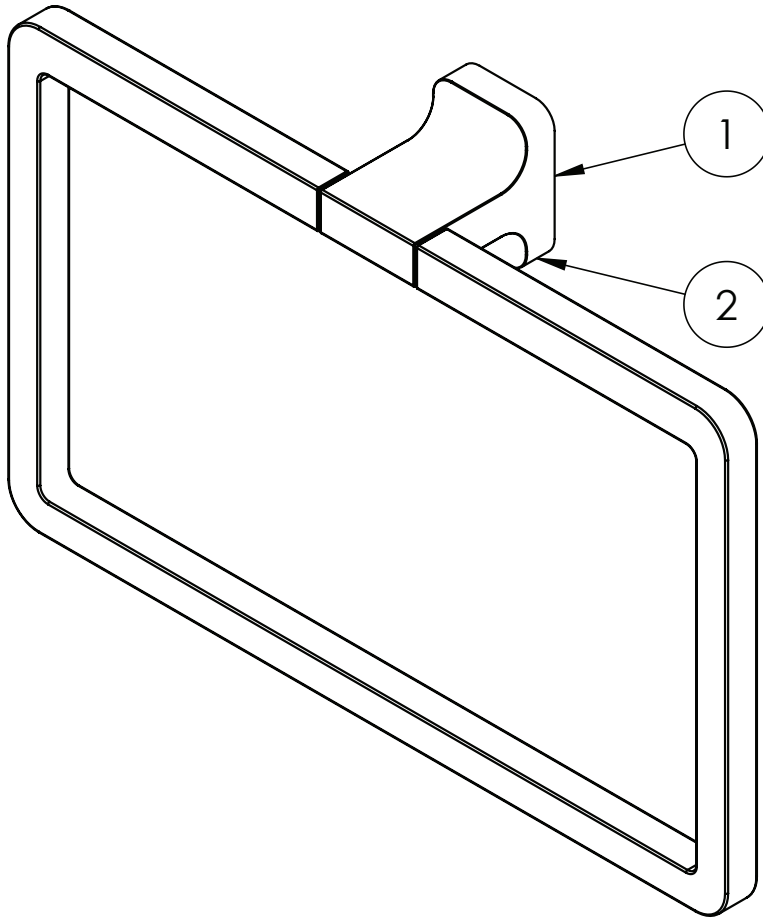
Dimensions in mm unless otherwise specified.

Tolerances (per material type) apply.



## SPARES LIST

Only the parts labelled are available as spares.



NUMBER	PART CODE	DESCRIPTION
1	RT00002	Rotar Wall Mounting Plate for RT021/RT013/RT029/RT025/RT023/RT015
2	RT00004	Rotar Grub Screws for RT021/RT003/RT011/RT013/RT029/RT025/RT023/RT015