

Measurements in millimetres mm

Information updated April 2019

Tel 0345 873 8840

crosswater<sup>™</sup>

## Cabra Counter Basin

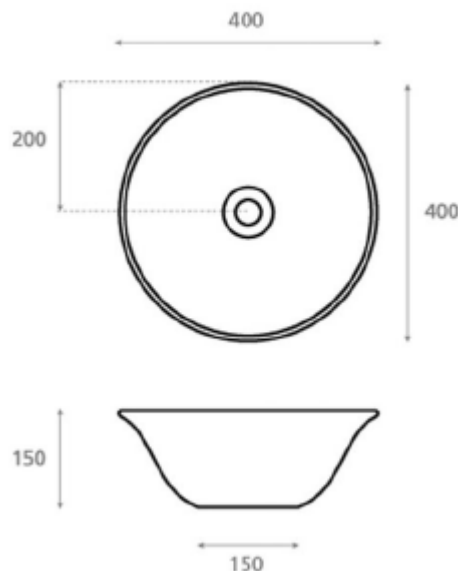


### TECHNICAL DATA

<b>CODE No</b>	CT4062UCW
<b>Recommended use</b>	Domestic, hotel, residential
<b>Material</b>	Vitreous China
<b>Standards</b>	EN 14688 – CL 00
<b>Colour</b>	White
<b>Specification</b>	Counter top, NO tap hole No overflow
<b>Fixing</b>	Counter top only
<b>Weight</b>	5.9kg
<b>Warranty</b>	15 years

### SPECIFICATION

Dimensions w 400 x d 400 x h 150mm  
No overflow



Sizes detailed could have a variation of about +/-5 % due to the changes to material characteristics during the firing processes. Exact measurements for individual installations can only be taken from the finished ceramic