

PRODUCT DATA SHEET



PRODUCT CODE

TS963SF

RANGE

3ONE6

DESCRIPTION

3ONE6 Design Shower Handset, Hose & Wall Outlet Stainless Brushed Brass Effect

WEBSITE LINK [Click Here](#)

CATEGORY	Brassware
WARRANTY DETAILS	15 Years
COLOUR	Brushed Brass Effect PVD
FINISH APPLICATION	PVD
PRIMARY MATERIAL	316 Stainless Steel
SECONDARY MATERIAL	NEOPRENE
INSTALL TYPE	Wall Mounted
PRODUCT WIDTH MM	50
PRODUCT HEIGHT MM	259
PRODUCT NET WEIGHT KG	0.86
STANDARDS	BS EN 1113:2015

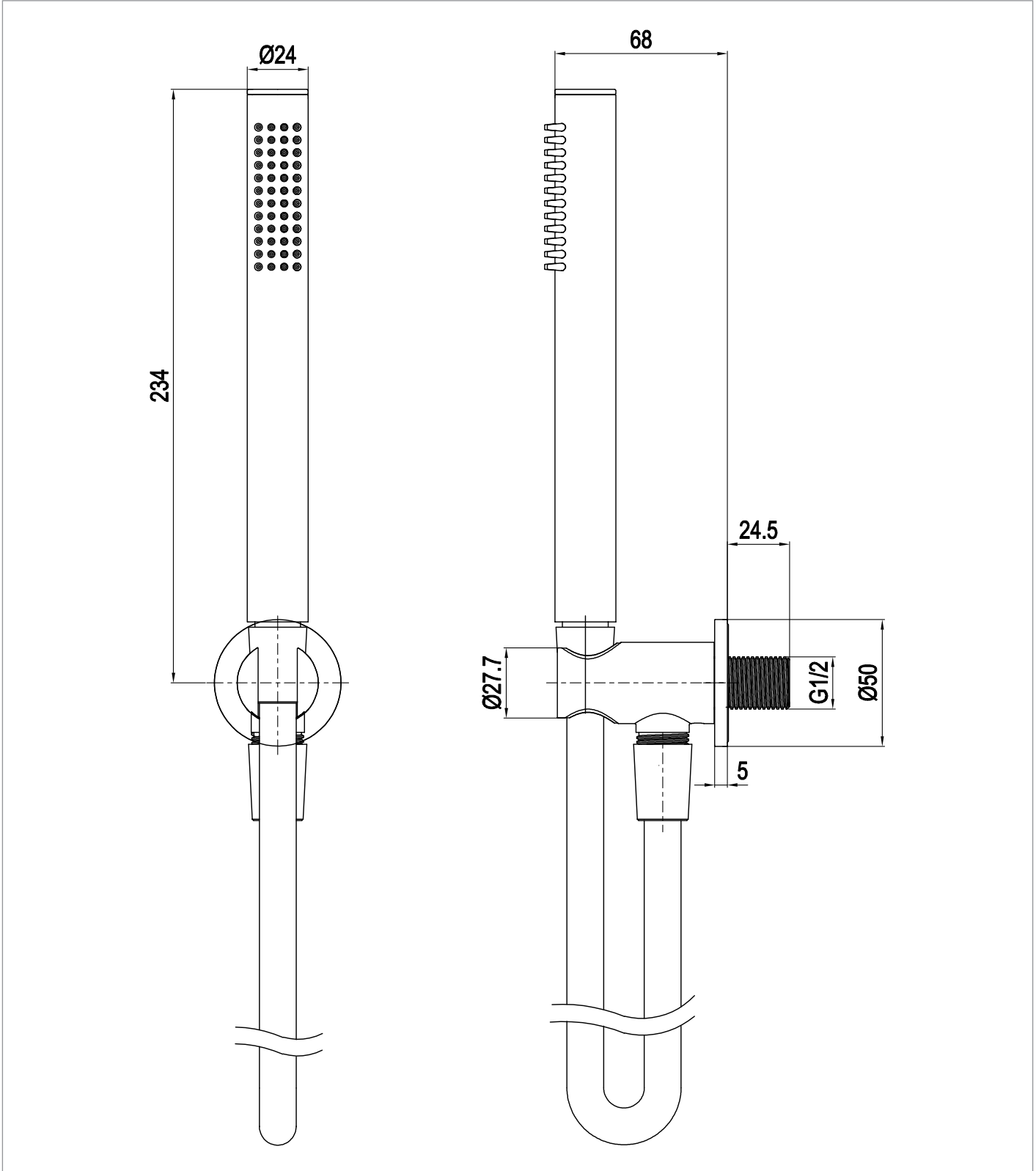
MINIMUM PRESSURE (BAR)	1
MAX WORKING PRESSURE (BAR)	5
NUMBER OF OUTLETS	1
NUMBER OF FUNCTIONS	1
INLET CONNECTIONS THREAD	G1/2"
FLOW REGULATOR	PCW-01 1/2" 12L/Min
WASTE INCLUDED	No
ANTI-SCALD	No
ENERGY SAVING	No
SHOWER HOSE & HANDSET ARE INCLUDED	Yes

PRESSURE (BAR)	0.2	0.5	1	2	3	4	5
PRIMARY FLOWRATE			11.65	17.08	21.32	24.88	27.92
HANDSET FLOWRATE							
MASSAGE FLOW RATE							
AIR FLOW RATE							
WIRE FLOW RATE							
WATERFALL FLOW RATE							
MIST FLOW RATE							
HANDSPRAY FLOW RATE							

TECHNICAL DIMENSIONS

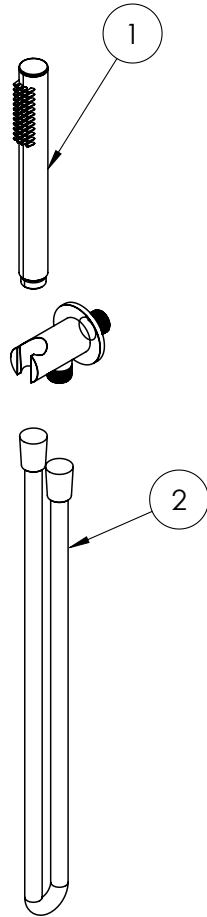
Dimensions in mm unless otherwise specified.

Tolerances (per material type) apply.



SPARES LIST

Only the parts labelled are available as spares.



NUMBER	PART CODE	DESCRIPTION
1	C10002405B-BB	TS963/416FST Hand Shower
	C10002411B	TS963/416FSF Hand Shower
	C10002401B	TS963_416 Hand Shower
2	B20000109B	TS963/416FST PVC Flexible
	B20000121	TS963/416FSF PVC Flexible
	B20000103	TS963_416 Hose