

PRODUCT DATA SHEET



PRODUCT CODE

FS110DNC

RANGE

Fuse

DESCRIPTION

Fuse Basin Monobloc With Clicker Waste Chrome

WEBSITE LINK [Click Here](#)

CATEGORY	Brassware
WARRANTY DETAILS	15 Years
COLOUR	Chrome
FINISH APPLICATION	Electroplated
PRIMARY MATERIAL	Brass
INSTALL TYPE	Deck Mounted
PRODUCT WIDTH MM	50
PRODUCT HEIGHT MM	144
PRODUCT DEPTH MM	155
PRODUCT NET WEIGHT KG	1.05
STANDARDS	BS EN 817:2008

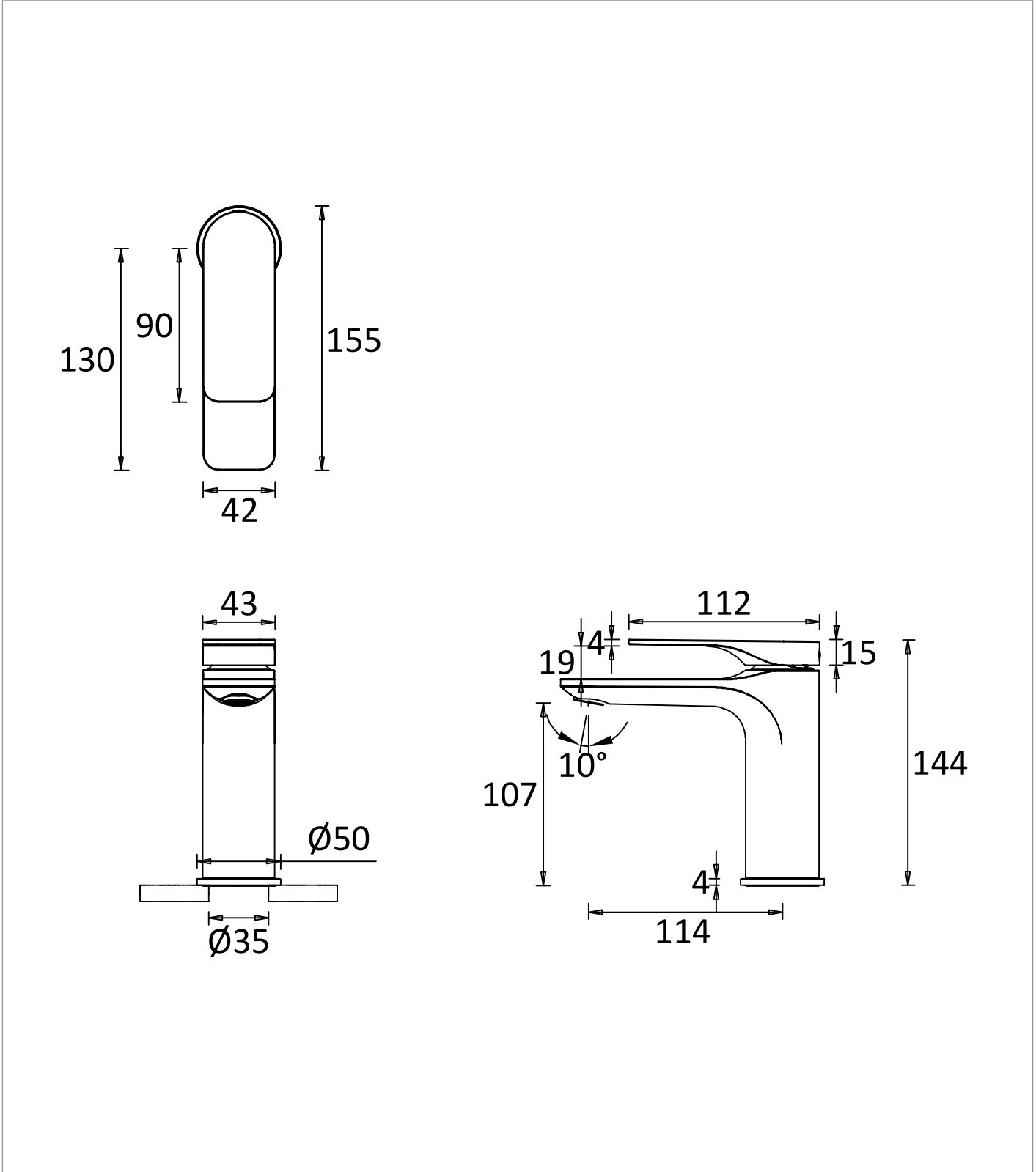
MINIMUM PRESSURE (BAR)	0.2
MAX WORKING PRESSURE (BAR)	5
HEADWORK	28mm Single lever ceramic cartridge
SPOUT PROJECTION	114
SWIVEL SPOUT	No
INLET CONNECTIONS THREAD	G1/2"
FLOW REGULATOR	Slim Air Honeycomb M24x1
WASTE INCLUDED	Yes
ANTI-SCALD	No
ENERGY SAVING	No
SHOWER HOSE & HANDSET ARE INCLUDED	No

PRESSURE (BAR)	0.2	0.5	1	2	3	4	5
PRIMARY FLOWRATE	3.1	4.9	7.5	10.5	13.2	14.3	16.5
HANDSET FLOWRATE							
MESSAGE FLOW RATE							
AIR FLOW RATE							
WIRE FLOW RATE							
WATERFALL FLOW RATE							
MIST FLOW RATE							
HANDSPRAY FLOW RATE							

TECHNICAL DIMENSIONS

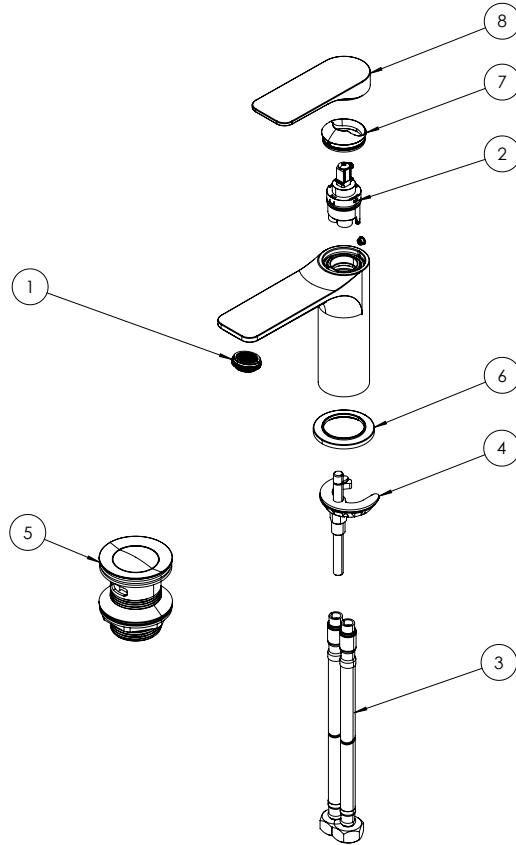
Dimensions in mm unless otherwise specified.

Tolerances (per material type) apply.



SPARES LIST

Only the parts labelled are available as spares.



NUMBER	PART CODE	DESCRIPTION
1	CW1251	Basin Aerator Drift & Fuse
2	CW1250	Basin Mono Cartridge Drift & Fuse
3	CW1254	Basin Mono Flexible Tails Drift & Fuse
4	CW1253	Clamping Set Basin Mono Drift & Fuse
5	60144-BB	Drift & Fuse Basin Click Clack Waste Slotted Brushed Brass
	60144-CP	Drift & Fuse Basin Click Clack Waste Slotted Chrome
	60144-MB	Drift & Fuse Basin Click Clack Waste Slotted Matt Black
6	CW1323	FS110/112 Base Plate Brushed Brass
	CW1316	FS110/112 Base Plate Chrome
	CW1321	FS110/112 Base Plate Matt Black
7	CW1318	FS110/112 Cartridge Cover Brushed Brass
	CW1315	FS110/112 Cartridge Cover Chrome
	CW1320	FS110/112 Cartridge Cover Matt Black
8	CW1317	FS110/112 Handle Brushed Brass
	CW1314	FS110/112 Handle Chrome
	CW1319	FS110/112 Handle Matt Black