

PRODUCT DATA SHEET



PRODUCT CODE

DR322DC

RANGE

Drift

DESCRIPTION

Drift Bath Filler Chrome

WEBSITE LINK [Click Here](#)

CATEGORY	Brassware
WARRANTY DETAILS	15 Years
COLOUR	Chrome
FINISH APPLICATION	Electroplated
PRIMARY MATERIAL	Brass
INSTALL TYPE	Deck Mounted
PRODUCT WIDTH MM	214
PRODUCT HEIGHT MM	125
PRODUCT DEPTH MM	156
PRODUCT NET WEIGHT KG	1.62
STANDARDS	BS EN 200:2008

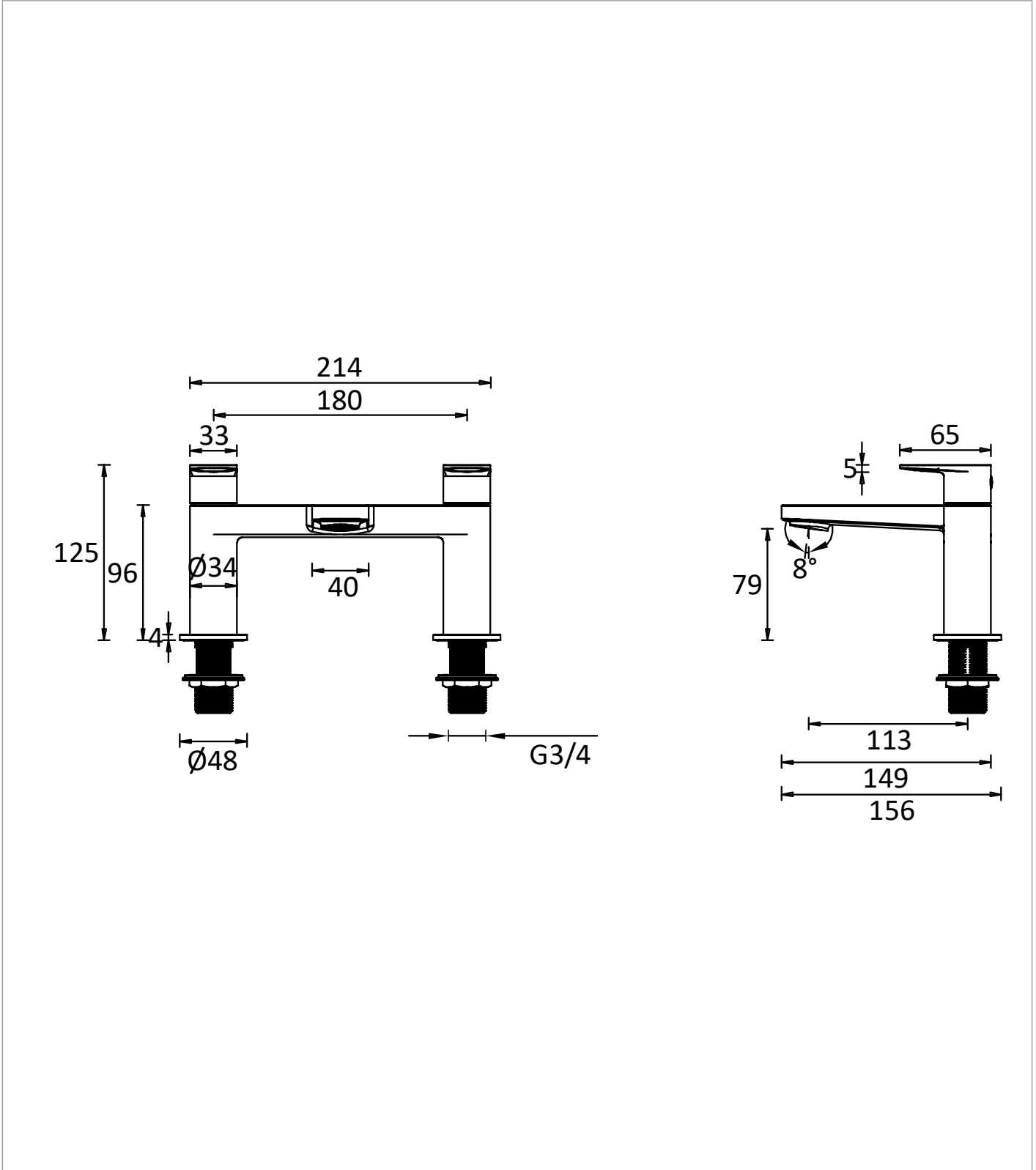
MINIMUM PRESSURE (BAR)	0.5
MAX WORKING PRESSURE (BAR)	5
HEADWORK	3/4" Quarter turn ceramic cartridge
SPOUT PROJECTION	113
SWIVEL SPOUT	No
INLET CONNECTIONS THREAD	G3/4"
FLOW REGULATOR	Slim Honeycomb
WASTE INCLUDED	No
ANTI-SCALD	No
ENERGY SAVING	No
SHOWER HOSE & HANDSET ARE INCLUDED	No

PRESSURE (BAR)	0.2	0.5	1	2	3	4	5
PRIMARY FLOWRATE		21	35.6	40	40	40	40
HANDSET FLOWRATE							
MESSAGE FLOW RATE							
AIR FLOW RATE							
WIRE FLOW RATE							
WATERFALL FLOW RATE							
MIST FLOW RATE							
HANDSPRAY FLOW RATE							

TECHNICAL DIMENSIONS

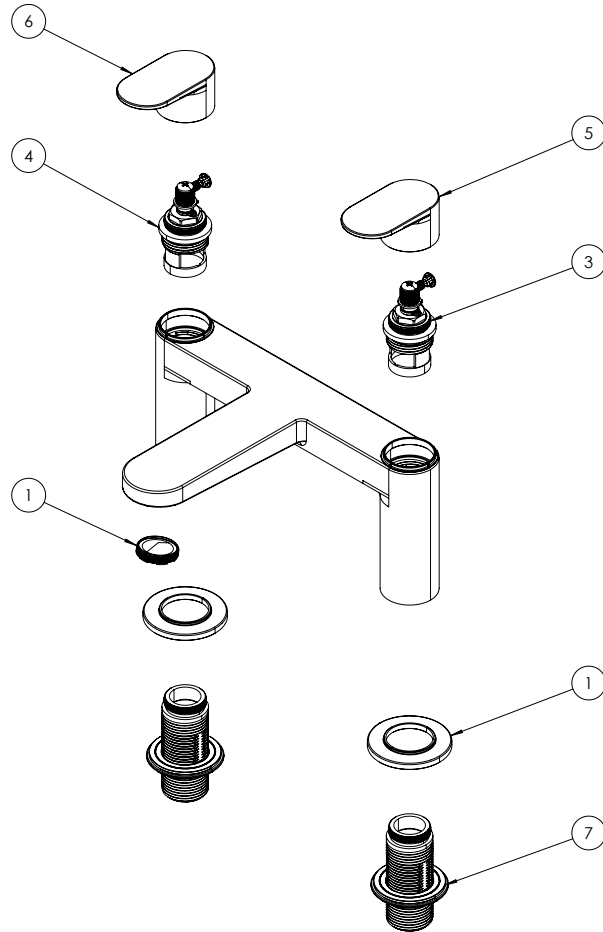
Dimensions in mm unless otherwise specified.

Tolerances (per material type) apply.



SPARES LIST

Only the parts labelled are available as spares.



NUMBER	PART CODE	DESCRIPTION
1	CW1280	322/422 Aerator Drift & Fuse
2	CW1285	DR322/422 Base Plate Brushed Brass
	CW1281	322/422 Base Plate Chrome Drift & Fuse
	CW1288	322/422 Base Plate Matt Black Drift & Fuse
3	MB1002-01	Cartridge Cold
4	MB1002-02	Cartridge Hot
5	CW1279	DR322/422 Handle Cold Chrome
	CW1284	DR322/422 Handle Cold Brushed Brass
	CW1287	DR322/422 Handle Cold Matt Black
6	CW1283	DR322/422 Handle Hot Brushed Brass
	CW1278	DR322/422 Handle Hot Chrome
	CW1286	DR322/422 Handle Hot Matt Black
7	MB1199	Fixing Nut & Washer