

Measurements in millimetres mm

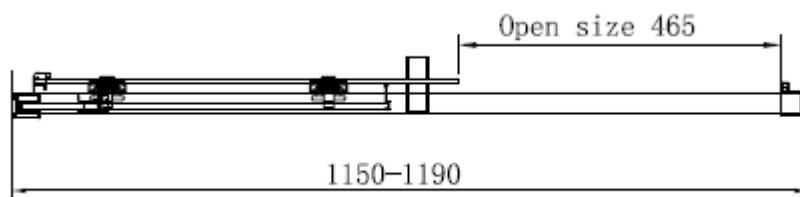
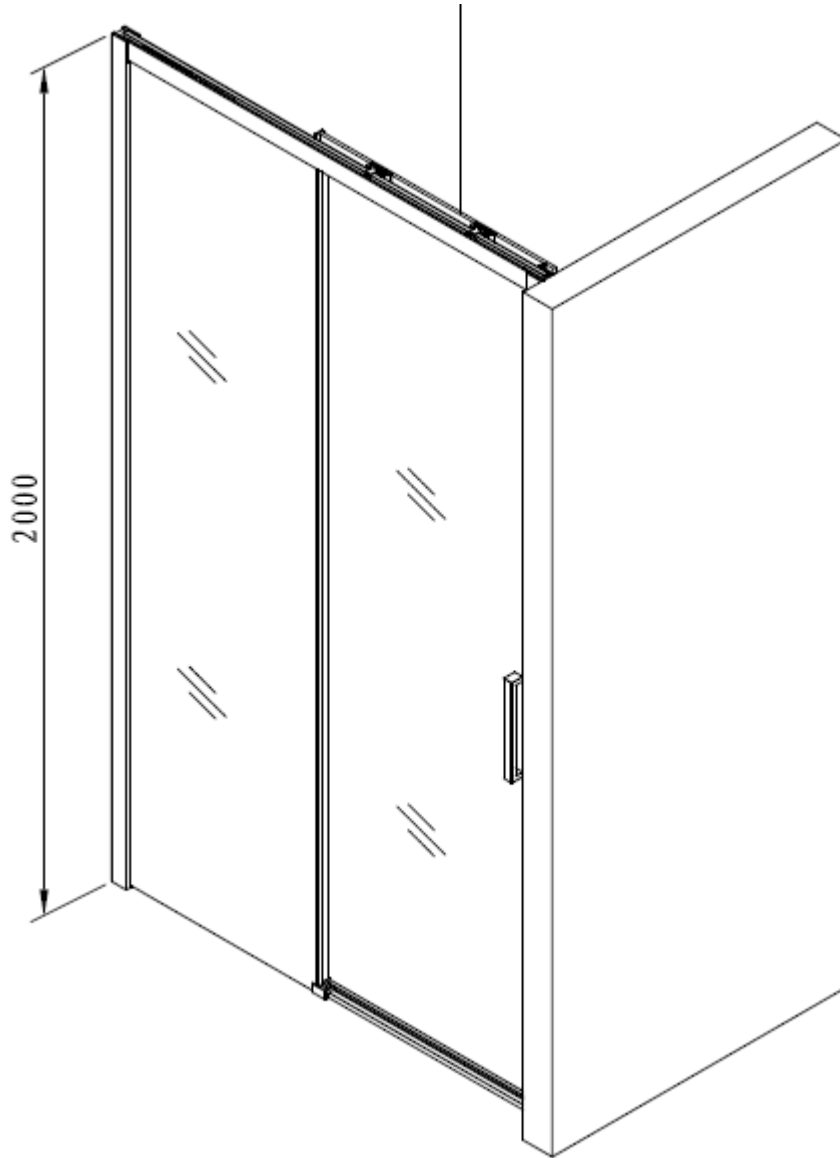
Information updated April 2020

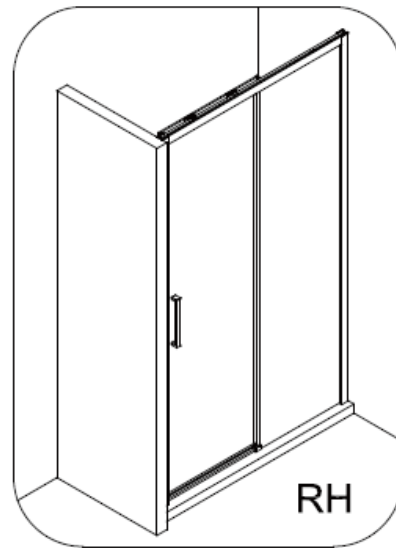
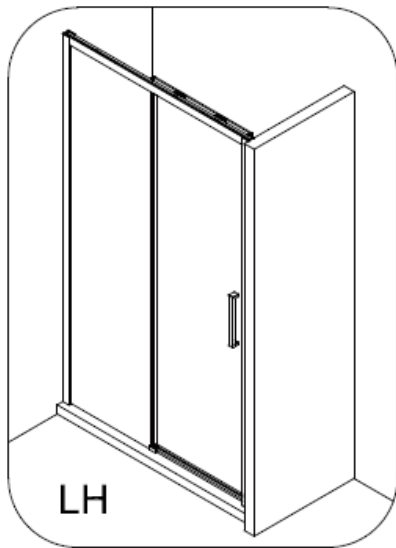
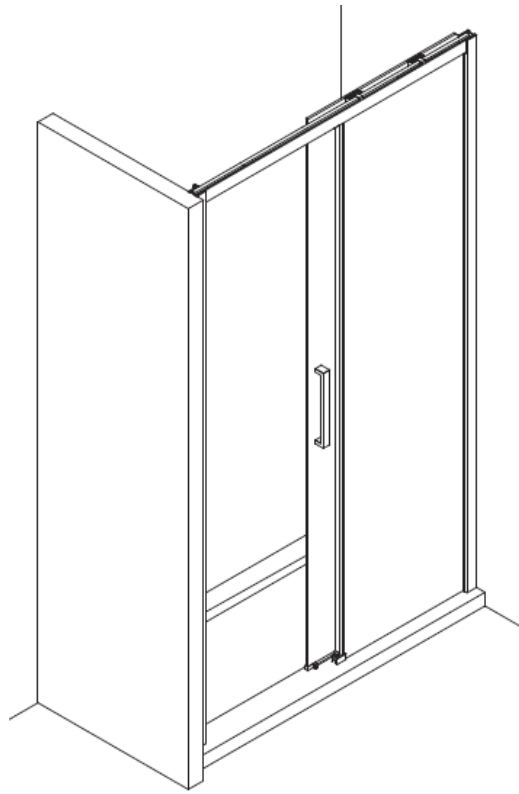
Tel 0345 873 8840

crosswater[™]

INFINITY 8 SLIDING DOOR

ISLSC1200+



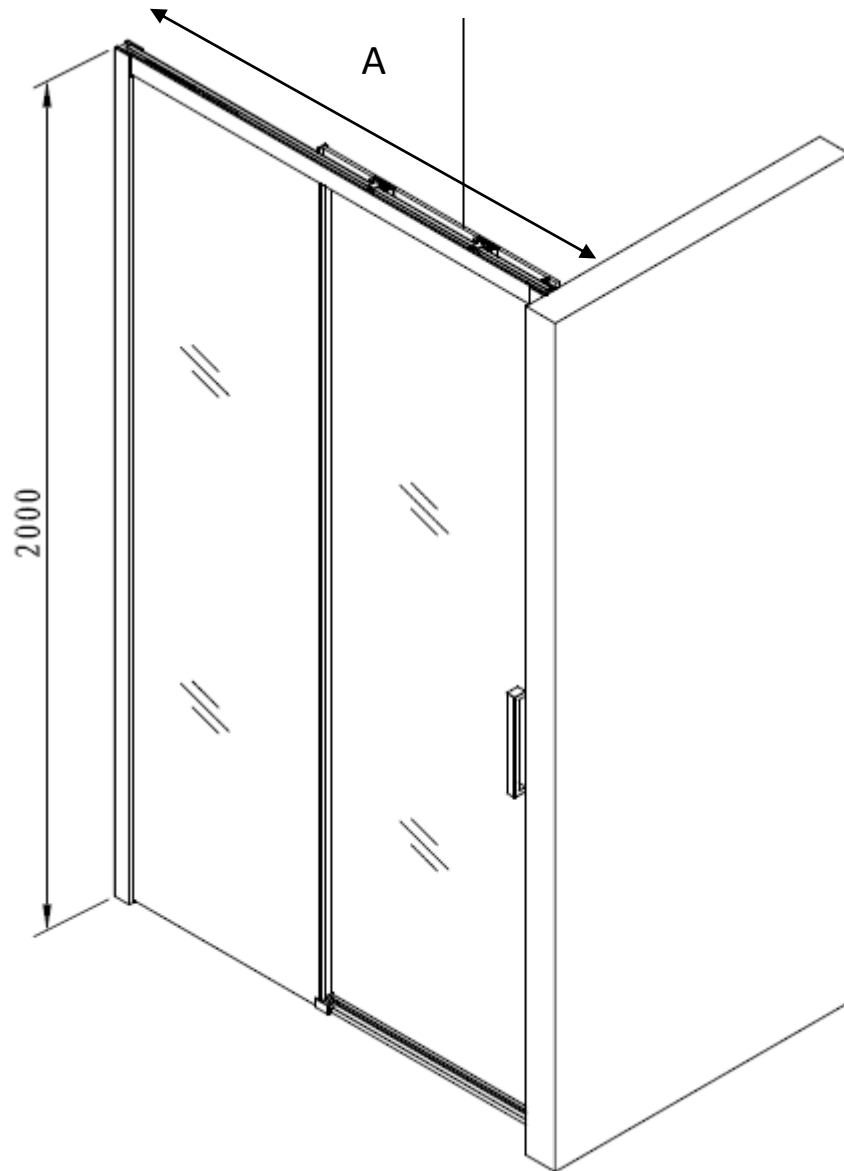


A		Wall plug x 6
B		ST4 *40mm screw x 3
C		M4 *30mm screw x 4
D		Cover I x 3
E		Decoration cover I x 2
F		Decoration cover II x 1
G		Wall frame sealing strip I x 1
H		Cover for taper sleeve x 2
I		Roller x 2

J		M4 *5mm screw x 4
K		Roller clip x 2
L		Cover II x 1
M		ST4 *12mm screw x 1
N		End socket of track (RH) x 1
O		Side waterproof strip I x 1
P		Side waterproof strip II x 1
Q		Anti-jump rubber strip x 1
R		Decoration cover III (RH) x 1

S		Wall frame sealing strip I x 1
T		Wall frame sealing strip II x 1
U		ST4 *40mm screw x 3
V		End socket I (RH) x 1
W		Waterproof part (RH) x 1
X		Waterproof barrier bar x 1
Y		End socket II (RH) x 1
Z		Waterproof cap x 1
AA		Handle x 1

AB		End socket of track (LH) x 1
AC		Waterproof part (LH) x 1
AD		End socket II (LH) x 1
AE		End socket I (LH) x 1
AF		Decoration cover III (LH) x 1
AG		Sleeve x 1
AH		4mm Allen key x 1
AI		Cleaning Wipe x 1



Model	A (mm)
ISLSC1200+	1150~1190
ISLSC1400+	1350~1390
ISLSC1500+	1450~1490
ISLSC1700+	1650~1690