

# PRODUCT DATA SHEET



## PRODUCT CODE

FS120WNC

## RANGE

Fuse

## DESCRIPTION

Fuse 2H Basin Set Wall Mounted  
Chrome

WEBSITE LINK [Click Here](#)

CATEGORY	Brassware
WARRANTY DETAILS	15 Years
COLOUR	Chrome
FINISH APPLICATION	Electroplated
PRIMARY MATERIAL	Brass
INSTALL TYPE	Wall Mounted
PRODUCT WIDTH MM	60
PRODUCT HEIGHT MM	120
PRODUCT NET WEIGHT KG	1.52
STANDARDS	BS EN 817:2008

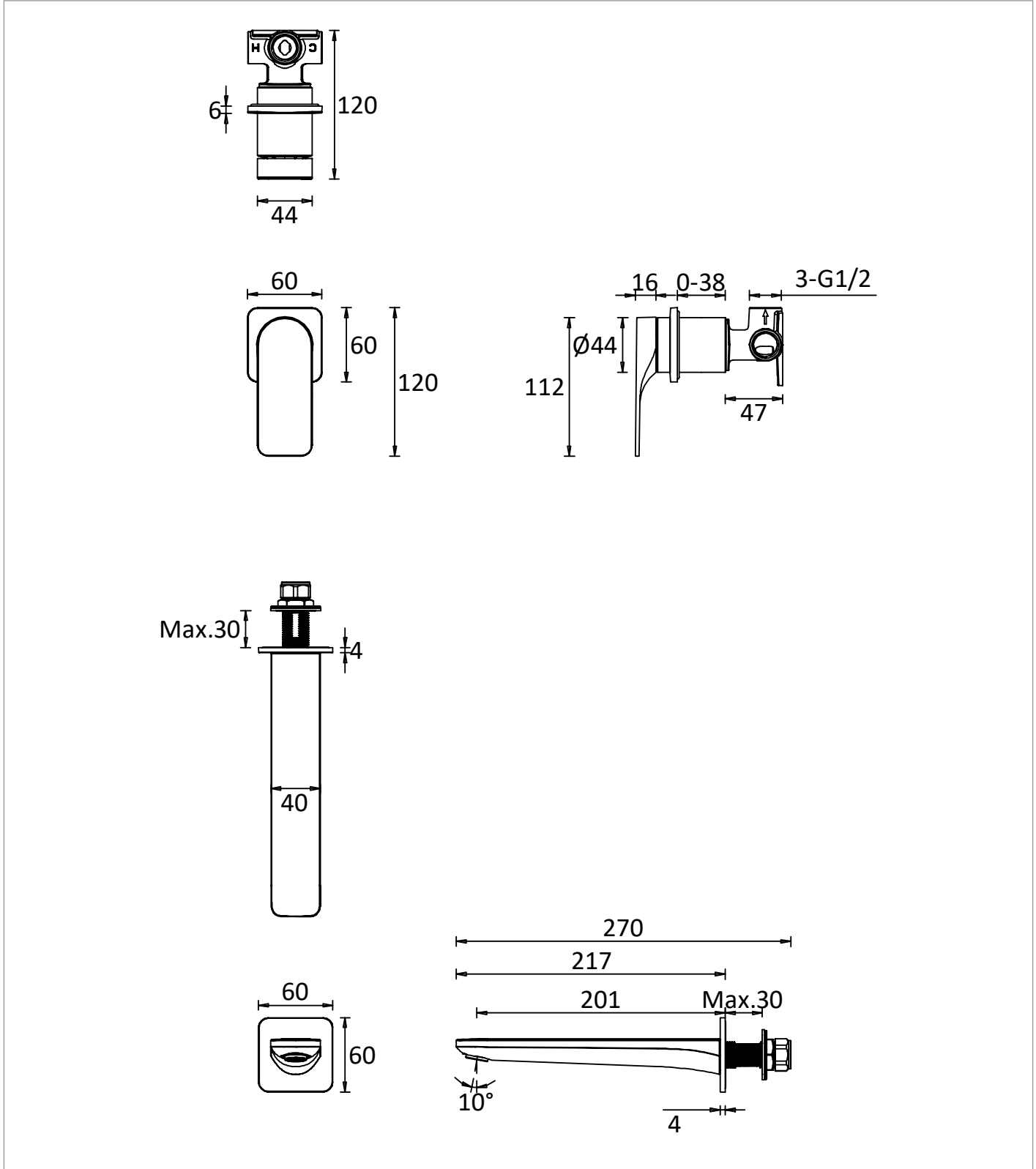
MINIMUM PRESSURE (BAR)	0.2
MAX WORKING PRESSURE (BAR)	5
HEADWORK	35mm Single lever ceramic cartridge
SPOUT PROJECTION	201
SWIVEL SPOUT	No
INLET CONNECTIONS THREAD	G1/2"
FLOW REGULATOR	Slim Air Honeycomb M24x1
WASTE INCLUDED	No
ANTI-SCALD	No
ENERGY SAVING	No
SHOWER HOSE & HANDSET ARE INCLUDED	No

PRESSURE (BAR)	0.2	0.5	1	2	3	4	5
PRIMARY FLOWRATE	3.6	5.4	8	10.8	13.8	15.6	17.3
HANDSET FLOWRATE							
MESSAGE FLOW RATE							
AIR FLOW RATE							
WIRE FLOW RATE							
WATERFALL FLOW RATE							
MIST FLOW RATE							
HANDSPRAY FLOW RATE							

## TECHNICAL DIMENSIONS

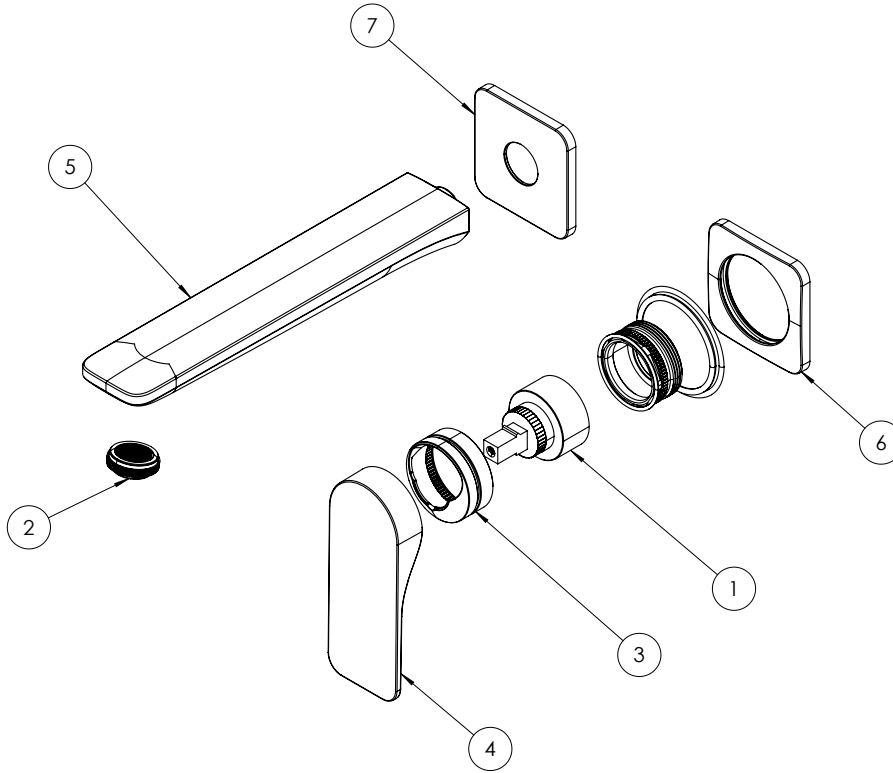
Dimensions in mm unless otherwise specified.

Tolerances (per material type) apply.



## SPARES LIST

Only the parts labelled are available as spares.



NUMBER	PART CODE	DESCRIPTION
1	CW1263	120 Cartridge Drift & Fuse
2	CW1251	Basin Aerator Drift & Fuse
3	CW1330	FS120 Cartridge Cover Brushed Brass
	CW1325	FS120 Cartridge Cover Chrome
	CW1335	FS120 Cartridge Cover Matt Black
4	CW1329	FS120 Handle Brushed Brass
	CW1324	FS120 Handle Chrome
	CW1334	FS120 Handle Matt Black
5	CW1333	FS120 Spout Brushed Brass
	CW1328	FS120 Spout Chrome
	CW1338	FS120 Spout Matt Black
6	CW1331	FS120 Wall Plate for Handle Brushed Brass
	CW1326	FS120 Wall Plate for Handle Chrome
	CW1336	FS120 Wall Plate for Handle Matt Black
7	CW1332	FS120 Wall Plate for Spout Brushed Brass
	CW1327	FS120 Wall Plate for Spout Chrome
	CW1337	FS120 Wall Plate for Spout Matt Black