

PRODUCT DATA SHEET



PRODUCT CODE

TS0402SF

RANGE

3ONE6

DESCRIPTION

3ONE6 Tall Bottle Trap Stainless
Brushed Brass Effect

WEBSITE LINK [Click Here](#)

| | |
|-----------------------|--------------------------|
| CATEGORY | Brassware |
| WARRANTY DETAILS | 15 Years |
| COLOUR | Brushed Brass Effect PVD |
| FINISH APPLICATION | PVD |
| PRIMARY MATERIAL | 316 Stainless Steel |
| SECONDARY MATERIAL | NEOPRENE |
| INSTALL TYPE | Basin Mounted |
| PRODUCT WIDTH MM | 70 |
| PRODUCT HEIGHT MM | 237 |
| PRODUCT NET WEIGHT KG | 1.22 |
| STANDARDS | BS EN 274-1:2002 |

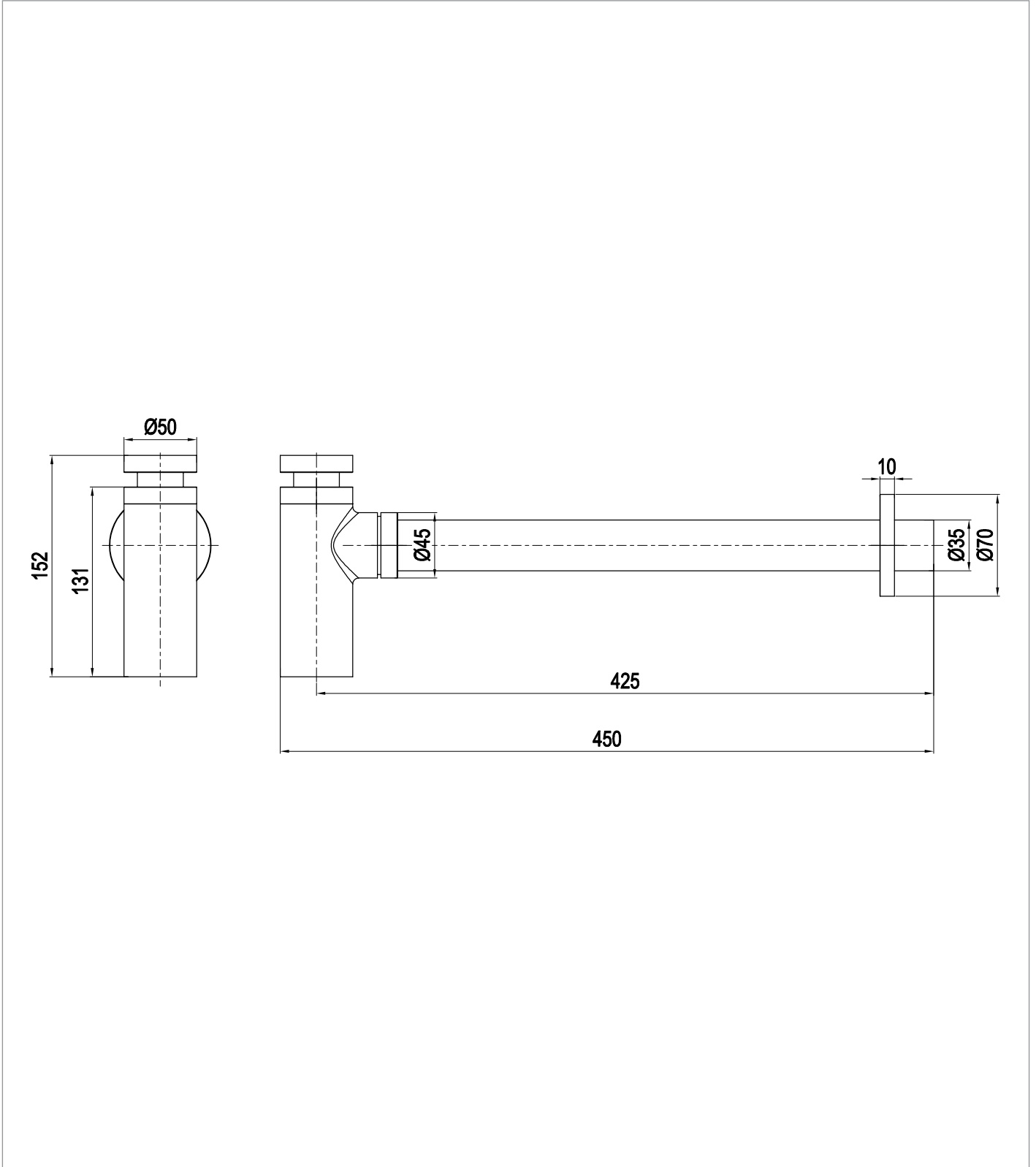
| | |
|-------------------------------------|--------|
| MINIMUM PRESSURE (BAR) | 1 |
| MAX WORKING PRESSURE (BAR) | 5 |
| NUMBER OF FUNCTIONS | 1 |
| SWIVEL SPOUT | No |
| INLET CONNECTIONS THREAD | 1 1/4" |
| OUTLET CONNECTIONS THREAD | 35mm |
| ANTI-SCALD | No |
| ENERGY SAVING | No |
| SHOWER HOSE & HANDSET ARE INCLUDED | No |
| INLET CONNECTIONS THREAD WASTE/TRAP | G1.1/4 |
| WATER SEAL HEIGHT (MM) | 74 |
| ADJUSTMENT (MIN - MAX) | 0-85 |

| | | | | | | | |
|---------------------|-----|-----|---|---|---|---|---|
| PRESSURE (BAR) | 0.2 | 0.5 | 1 | 2 | 3 | 4 | 5 |
| PRIMARY FLOWRATE | | | | | | | |
| HANDSET FLOWRATE | | | | | | | |
| MESSAGE FLOW RATE | | | | | | | |
| AIR FLOW RATE | | | | | | | |
| WIRE FLOW RATE | | | | | | | |
| WATERFALL FLOW RATE | | | | | | | |
| MIST FLOW RATE | | | | | | | |
| HANDSPRAY FLOW RATE | | | | | | | |

TECHNICAL DIMENSIONS

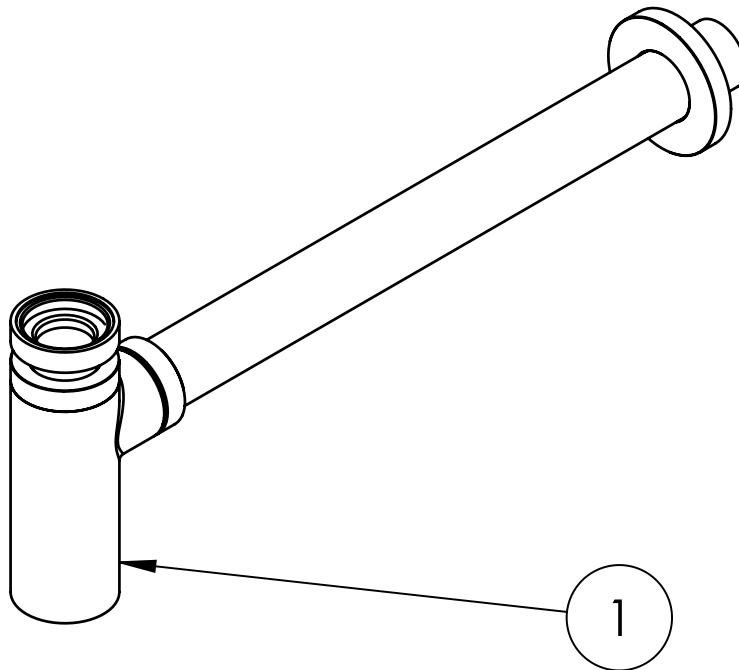
Dimensions in mm unless otherwise specified.

Tolerances (per material type) apply.



SPARES LIST

Only the parts labelled are available as spares.



| NUMBER | PART CODE | DESCRIPTION |
|--------|-----------------|---|
| 1 | PRO0402M+WASHER | 30NE6 Tall Bottle Trap Stainless Slate |
| | PRO0402M+WASHER | 30NE6 Tall Bottle Trap Stainless Brushed Brass Effect |
| | PRO0402M+WASHER | 30NE6 Tall Bottle Trap Stainless |