

# PRODUCT DATA SHEET



## PRODUCT CODE

GL1000D2BM

## RANGE

Glide II

## DESCRIPTION

Glide II 2 Drawer Basin Unit 1000 Matt Black

WEBSITE LINK [Click Here](#)

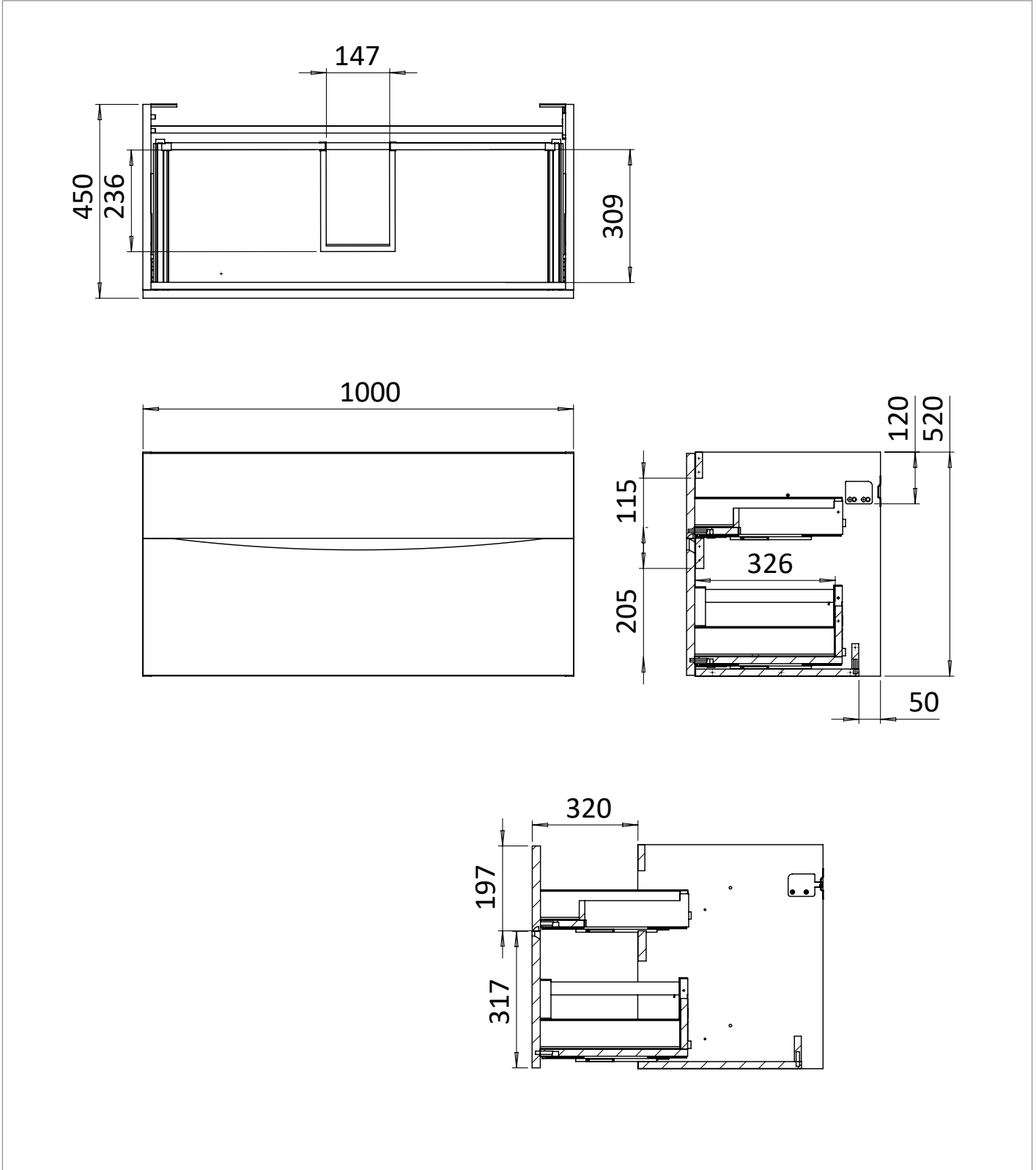
CATEGORY	Furniture
WARRANTY DETAILS	10 Years
COLOUR	Matt Black
FINISH APPLICATION	Unlacquered
PRIMARY MATERIAL	MDF
INSTALL TYPE	Wall Mounted
PRODUCT WIDTH MM	1000
PRODUCT HEIGHT MM	520
PRODUCT DEPTH MM	450
PRODUCT NET WEIGHT KG	36
STANDARDS	EN 13986/ EN 14749

COLOUR CODE / REFERENCE	RAL 9005
DRAWER BOX	Textured aluminium anthracite finish concealed runners
DRAWER RUNNERS	Soft Close Pull to open, Full extension
DRAWER EXTENSION	Full
DRAWER ADJUSTMENT	4 Way
WALL HANGERS	Yes
ADJUSTABLE FEET	No
DRAWER CAPACITY	40kg
DRAWER OPERATION	Soft close/pull to open

## TECHNICAL DIMENSIONS

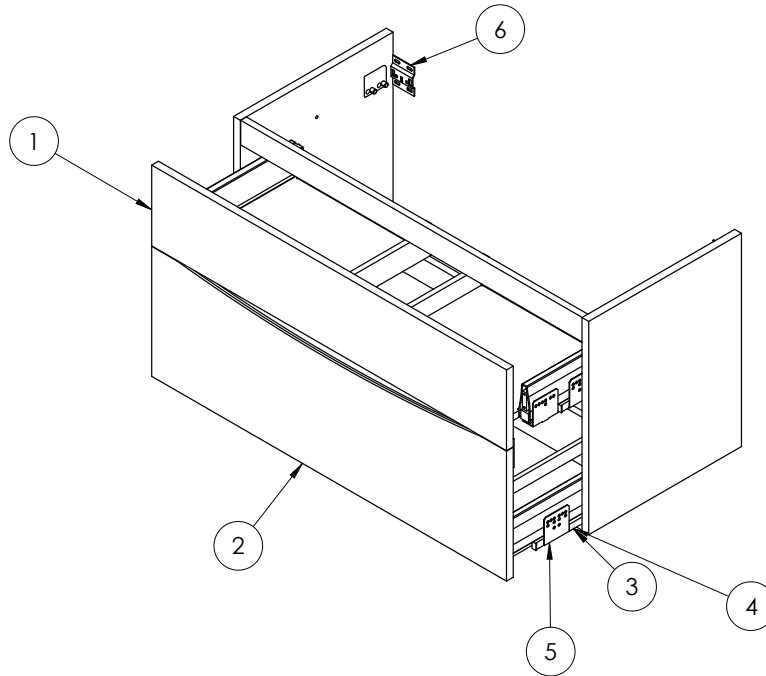
Dimensions in mm unless otherwise specified.

Tolerances (per material type) apply.



## SPARES LIST

Only the parts labelled are available as spares.



NUMBER	PART CODE	DESCRIPTION
1	TDF_10GLDWO	Top Drawer Front GL1000DWO+
	TDF_10GLDWG	Top Drawer Front GL1000DWG+
	TDF_10GLDST_V2	Top Drawer Front GL1000DST+
	TDF_10GLDBM	Top Drawer Front GL1000DBM+
	TDF_100GLD2WS	Top Drawer Front for GL1000D2WS
	TDF_100GLD2SGR	Top Drawer Front for GL1000D2SGR
2	BDF_10GLDWO	Bottom Drawer Front GL1000DWO+
	BDF_10GLDWG	Bottom Drawer Front GL1000DWG+
	BDF_10GLDST_V2	Bottom Drawer Front GL1000DST+
	BDF_10GLDBM	Bottom Drawer Front GL1000DBM+
	BDF_100GLD2WS	Bottom Drawer Front for GL1000D2WS
	BDF_100GLD2SGR	Bottom Drawer Front for GL1000D2SGR
3	RUNNERS_GLIDE24	Glide II Drawer Runners 2024 Style (Grass ONE)
4	RUNNERS_GLIDE25	Glide II Drawer Runners New Style 2025 (Mondragon)
5	GDCLIPS	Cover Caps for Side of Drawer Boxes
6	WB897ASZ16070	Wall Brackets