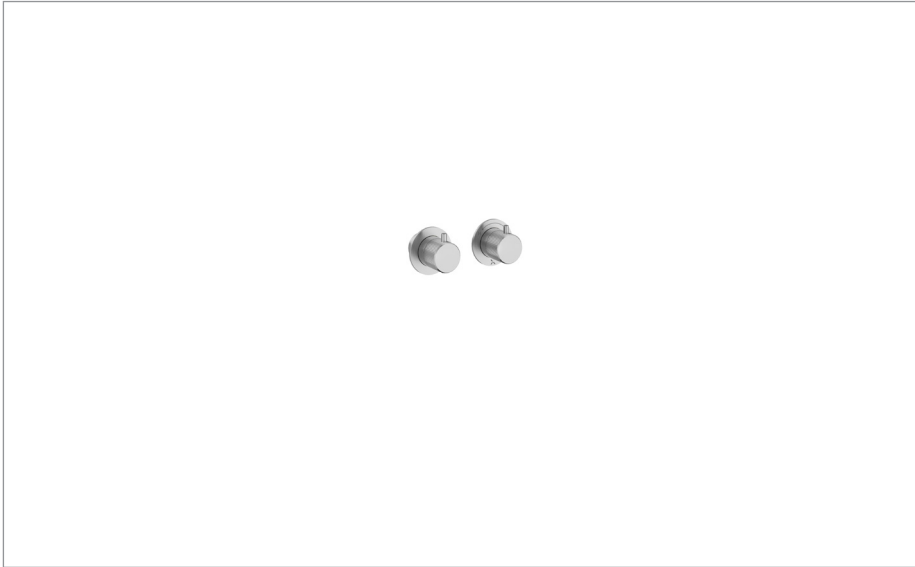


PRODUCT DATA SHEET



PRODUCT CODE

TSMODDIVLBPS

RANGE

Module

DESCRIPTION

Module 3ONE6 2 Control Diverter Trim-set Stainless Steel

WEBSITE LINK [Click Here](#)

CATEGORY	Brassware
WARRANTY DETAILS	15 Years
COLOUR	Stainless Steel
FINISH APPLICATION	PVD
PRIMARY MATERIAL	316 Stainless Steel
INSTALL TYPE	Wall Mounted
PRODUCT WIDTH MM	175
PRODUCT HEIGHT MM	70
PRODUCT NET WEIGHT KG	0.95

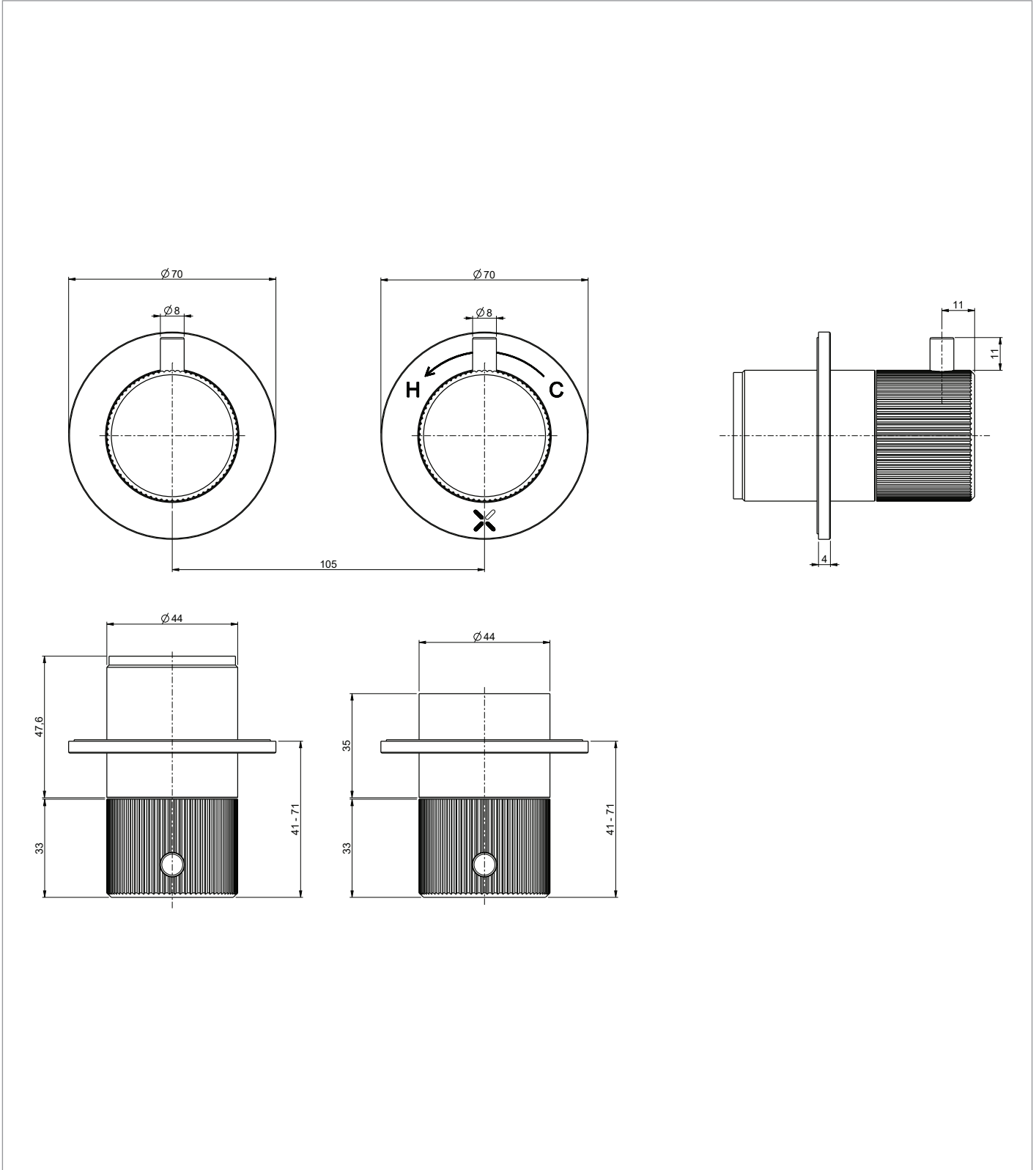
NUMBER OF OUTLETS	2
NUMBER OF FUNCTIONS	2
WASTE INCLUDED	No
ANTI-SCALD	No
ENERGY SAVING	No
SHOWER HOSE & HANDSET ARE INCLUDED	No

PRESSURE (BAR)	0.2	0.5	1	2	3	4	5
PRIMARY FLOWRATE							
HANDSET FLOWRATE							
MASSAGE FLOW RATE							
AIR FLOW RATE							
WIRE FLOW RATE							
WATERFALL FLOW RATE							
MIST FLOW RATE							
HANDSPRAY FLOW RATE							

TECHNICAL DIMENSIONS

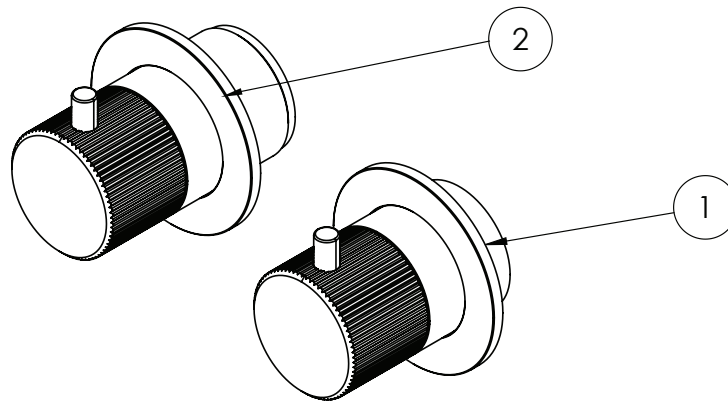
Dimensions in mm unless otherwise specified.

Tolerances (per material type) apply.



SPARES LIST

Only the parts labelled are available as spares.



NUMBER	PART CODE	DESCRIPTION
1	E005115310HESC	Module 3ONE6 Handle Collar and Plate for Thermostat Stainless Steel
	E005115382HESC	Module 3ONE6 Handle Collar and Plate for Thermostat Brushed Brass
	E005115393HESC	Module 3ONE6 Handle Collar and Plate for Thermostat Slate
2	E005116310HESC	Module 3ONE6 Handle Collar and Plate for Diverter Stainless Steel
	E005116382HESC	Module 3ONE6 Handle Collar and Plate for Diverter Brushed Brass
	E005116393HESC	Module 3ONE6 Handle Collar and Plate for Diverter Slate